

## CHALICE 150W LED DOWNLIGHT

The Chalice 150 LED pendant downlight follows the Altman Lighting tradition of lighting quality. Designed specifically for the demands of theaters, churches and public venues, the Chalice 150 is a 145 Watt White LED pendant fixture that is an energy-efficient solution to general lighting needs.

The Chalice 150 addresses and alleviates the typical maintenance routines in difficult-to-access locations. The Chalice 150 uses a single-point source for optimal beam control, and offers a variety of reflector options for ceiling heights from 15 to 50 feet. Its powerful and clean non-pixelated and non-granulated output blends to seamless coverage in the most elegant setting.

Extremely smooth dimming reproduces the comfortable feel of traditional incandescent sources, at a fraction of the power consumption. Available in either Mains Dimming or DMX control allows each fixture to be controlled independently or in groups, from an architectural control system and/or directly from a theatrical control console.



*Chalice 150W LED Pendant*

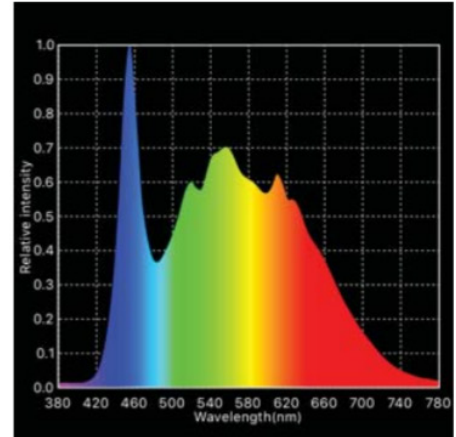
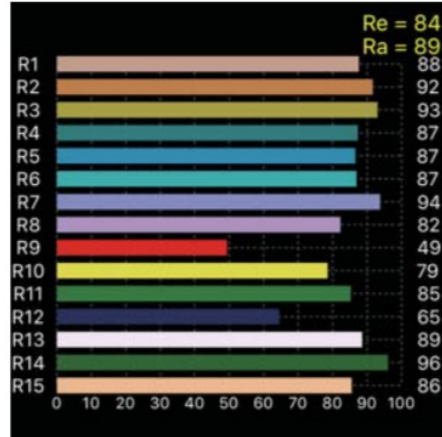
### **Product Features:**

- 150W LED Driver
- Maximum 13,765 lumens
- 7 interchangeable reflectors
- CCT options 2700K, 3000K, 4000K, or 5000K
- 40° swivel ball ceiling mount
- DMX or Mains (line voltage) dimmable
- Push button DMX addressing and RDM compatible
- DMX pass-through
- Single channel high resolution DMX
- Selectable actions on loss of control signal (for DMX models only)
- Upper and lower trim levels.
- Available in white, black, or custom colors
- cETLus listed for indoor applications
- Made in the USA
- Five (5) year and one (1) day warranty
- No cost technical support for the life of your product

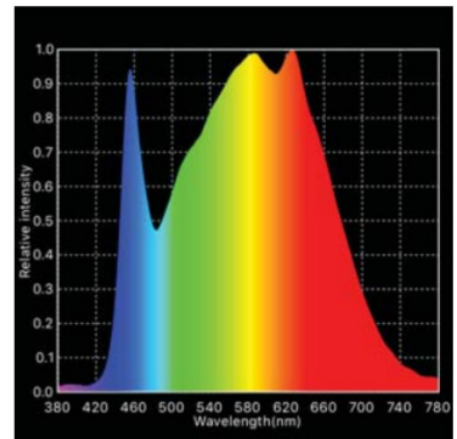
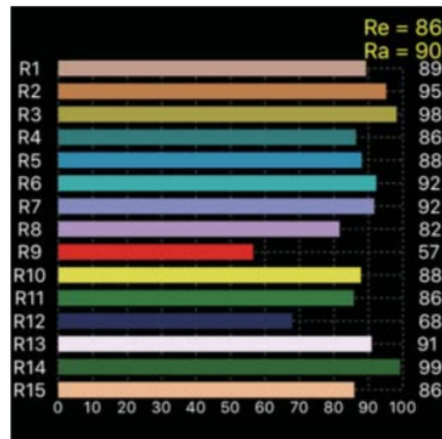


Photometric Performance

CHALICE CDP150 PHOTOMETRIC SCORE CARD – 5000K	
CCT	5236
DUV	.0056
CRI	89
CQS	87
RE (R1-15)	84
TLCI (Qa)	89.3
TM-30-15 rf	86
TM-30-15 rg	96



CHALICE CDP150 PHOTOMETRIC SCORE CARD – 4000K	
CCT	3940
DUV	.0034
CRI	90
CQS	89
RE (R1-15)	86
TLCI (Qa)	90.3
TM-30-15 rf	86
TM-30-15 rg	94



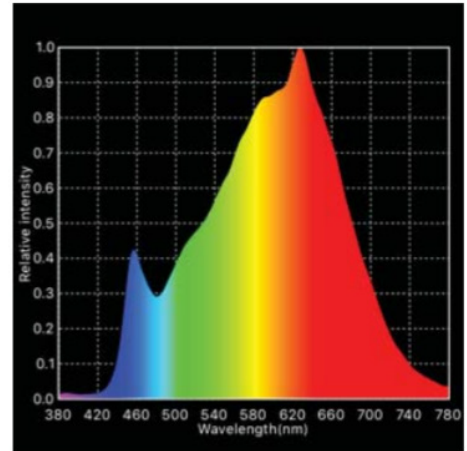
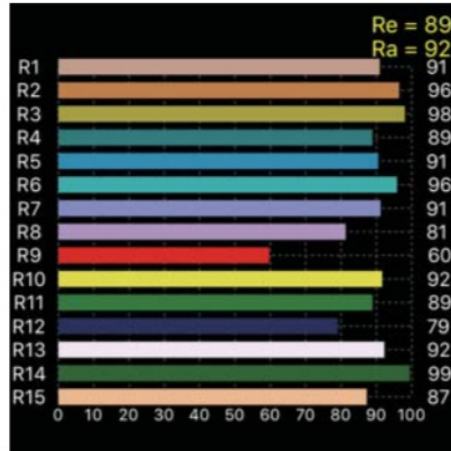
Additional information continued on next page.

**Note:** Complete TM-30 information can be found in the CDP150 Photometrics information sheet. This document is found on the Altman Lighting web site in the CDP150 pendant luminaire Support section.

Photometric Performance (continued)

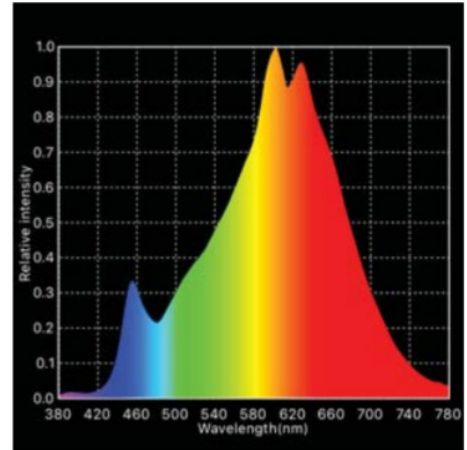
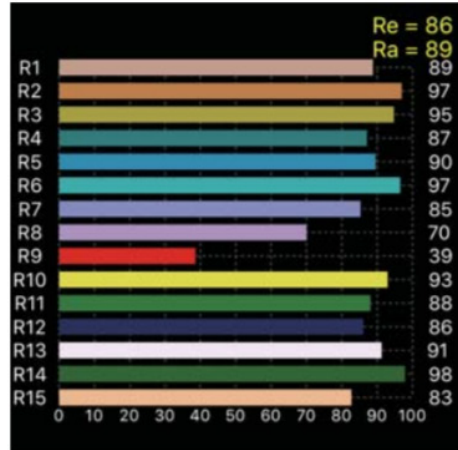
**CHALICE CDP150  
PHOTOMETRIC SCORE  
CARD – 3000K**

CCT	3014
DUV	.0022
CRI	92
CQS	91
RE (R1-15)	89
TLCI (Qa)	92.3
TM-30-15 rf	88
TM-30-15 rg	95



**CHALICE CDP150  
PHOTOMETRIC SCORE  
CARD – 2700K**

CCT	2679
DUV	-0.0015
CRI	89
CQS	89
RE (R1-15)	86
TLCI (Qa)	84.4
TM-30-15 rf	88
TM-30-15 rg	97



**Note:** Complete TM-30 information can be found in the CDP150 Photometrics information sheet. This document is found on the Altman Lighting web site in the CDP150 pendant luminaire Support section.

**Photometric Performance**

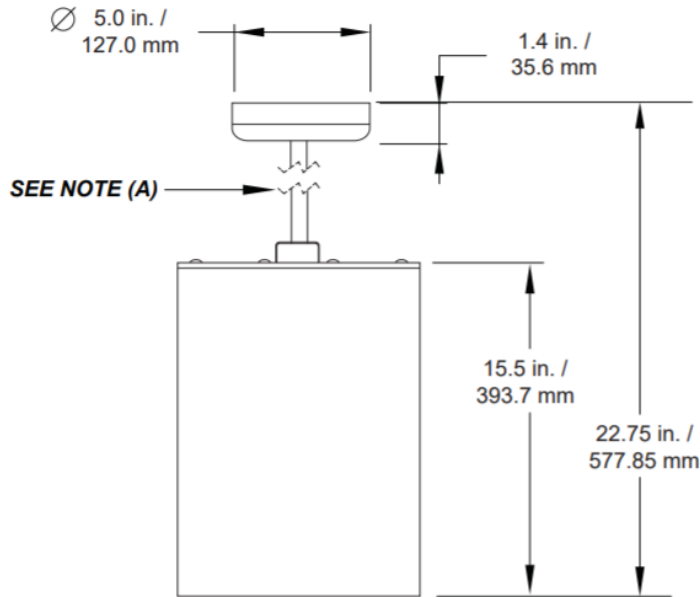
Photometric data taken with CDP150 fixture at the shown CCT values. Some Clipping of the beam will occur with the use of the 91 degree Extra Wide Flood Reflector. Please see Chalice 150 IES files on the Altman Lighting web site for additional beam characteristics.

CCT	Reflector Type	Lumen Output	10'-0" (3.048m)	20'-0" (6.096m)	30'-0" (9.144m)	40'-0" (12.192m)	50'-0" (15.240m)	
5000K	20 Degree Narrow Spot	13765.0	586.75	148.8	66.1	36.67	23.47	fc
			6313.43	1600.6	711.4	394.56	252.53	lux
	29 Degree Spot	11366.0	263.28	65.82	30.2	16.46	10.53	fc
			2832.89	708.22	325.2	117.10	113.30	lux
	39 Degree Narrow Flood	10529.0	129.0	32.3	14.3	8.07	5.16	fc
			1388.0	347.0	154.2	86.83	55.52	lux
	46 Degree Medium Flood	10367.0	160.0	40.0	17.8	9.96	6.38	fc
			1721.6	430.4	191.3	107.16	68.64	lux
51 Degree Wide Flood	10733.0	109.0	27.3	12.1	6.78	4.34	fc	
		1172.8	293.2	130.3	72.95	46.69	lux	
64 Degree Very Wide Flood	12303.0	108.0	27.0	12.0	6.71	4.29	fc	
		1162.1	290.5	129.1	72.19	46.16	lux	
91 Degree Extra Wide Flood	10780.0	52.0	13.0	5.8	3.24	2.07	fc	
		559.5	139.9	62.2	34.86	22.27	lux	
4000K	20 Degree Narrow Spot	12949.0	555.0	138.8	61.7	34.65	22.17	fc
			5971.8	1493.0	663.5	372.83	238.54	lux
	29 Degree Spot	10688.0	246.0	61.5	27.3	15.32	9.81	fc
			2647.0	661.7	294.1	164.84	105.55	lux
	39 Degree Narrow Flood	9909.0	122.0	30.5	13.6	7.59	4.86	fc
			1312.7	328.2	145.9	81.66	52.29	lux
	46 Degree Medium Flood	9748.0	147.0	37.0	16.4	9.19	5.88	fc
			1581.72	398.1	176.9	98.88	63.26	lux
51 Degree Wide Flood	10094.0	99.0	24.8	11.0	6.18	3.96	fc	
		1065.2	266.3	118.4	66.49	42.60	lux	
64 Degree Very Wide Flood	11572.0	104.0	26.0	11.6	6.47	4.14	fc	
		1119.0	279.8	124.3	69.61	44.54	lux	
91 Degree Extra Wide Flood	10144.0	51.0	12.8	5.7	3.14	2.01	fc	
		548.8	137.2	61.0	33.78	21.62	lux	
3000K	20 Degree Narrow Spot	11746.0	507.0	126.8	56.3	31.65	20.25	fc
			5455.3	1363.8	606.1	340.55	217.89	lux
	29 Degree Spot	9697.0	229.0	57.3	25.4	14.29	9.15	fc
			2464.0	616.0	273.8	153.76	98.45	lux
	39 Degree Narrow Flood	8983.0	112.0	28.0	12.4	6.97	4.46	fc
			1205.1	301.3	133.9	74.99	47.98	lux
	46 Degree Medium Flood	8845.0	135.0	33.8	15.0	8.39	5.37	fc
			1452.6	363.2	161.4	90.27	57.78	lux
51 Degree Wide Flood	9155.0	92.0	23.0	10.2	5.71	3.65	fc	
		989.9	247.5	110.0	61.43	39.27	lux	
64 Degree Very Wide Flood	10499.0	95.0	23.8	10.6	5.9	3.78	fc	
		1022.2	255.6	113.6	63.48	40.67	lux	
91 Degree Extra Wide Flood	9196.0	44.0	11.0	4.9	2.71	1.73	fc	
		473.4	118.4	52.6	29.15	18.61	lux	
2700K	20 Degree Narrow Spot	11016.0	476.0	119.0	52.9	29.75	19.04	fc
			5121.8	1280.4	569.1	320.11	204.87	lux
	29 Degree Spot	9097.0	211.0	52.8	23.4	13.2	8.45	fc
			2270.4	567.6	252.3	142.03	90.92	lux
	39 Degree Narrow Flood	8426.0	104.0	26.0	11.6	6.5	4.16	fc
			1119.0	279.8	124.3	69.94	47.76	lux
	46 Degree Medium Flood	8294.0	124.0	31.0	13.8	7.7	4.93	fc
			1334.2	333.6	148.2	82.85	53.04	lux
51 Degree Wide Flood	8685.0	87.0	21.8	9.7	5.40	3.45	fc	
		936.1	234.0	104.0	58.10	37.12	lux	
64 Degree Very Wide Flood	9849.0	89.0	22.3	9.9	5.52	3.53	fc	
		957.6	239.4	106.4	59.39	37.98	lux	
91 Degree Extra Wide Flood	8627.0	44.0	11.0	4.9	2.72	1.74	fc	
		473.4	118.4	52.6	29.26	18.72	lux	

Note: All photometrics above including published IES files have been taken with the DMX version of this product. The output on the mains dim version may vary depending upon the connected dimming system's efficiency.

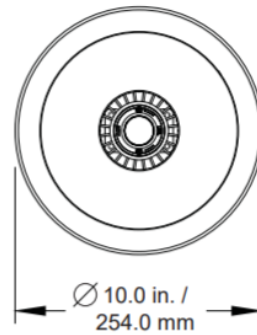
**Dimensional Drawing**

**Pendant Mount**

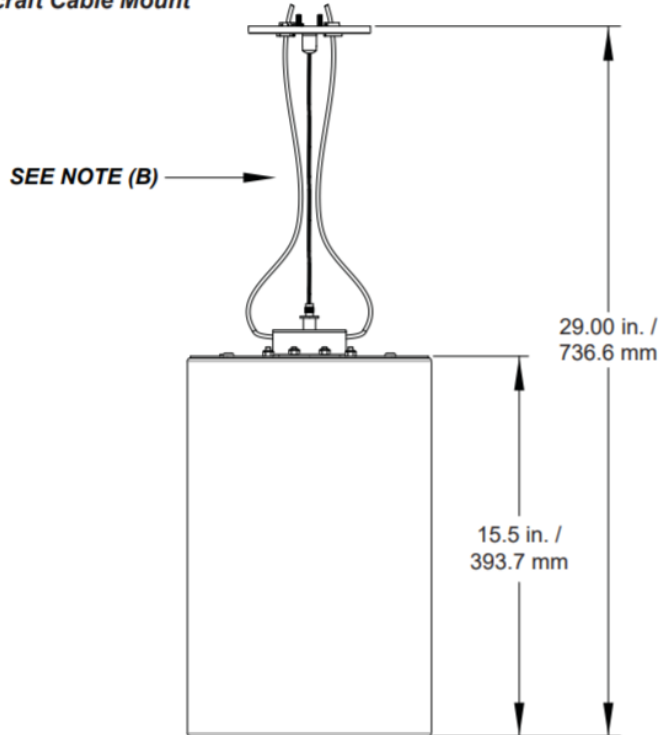


**NOTES:**

(A) Specify Length of stem: 6 in. / 152.4 mm (minimum) to 72 in. Measurement shown with 6-inch stem and canopy for reference only. Additional stem lengths available. Please consult your Altman Lighting regional sales manager for details.

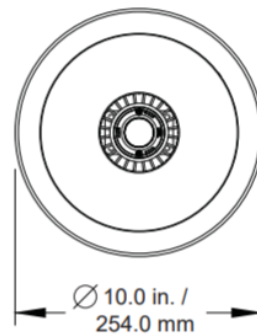


**Aircraft Cable Mount**



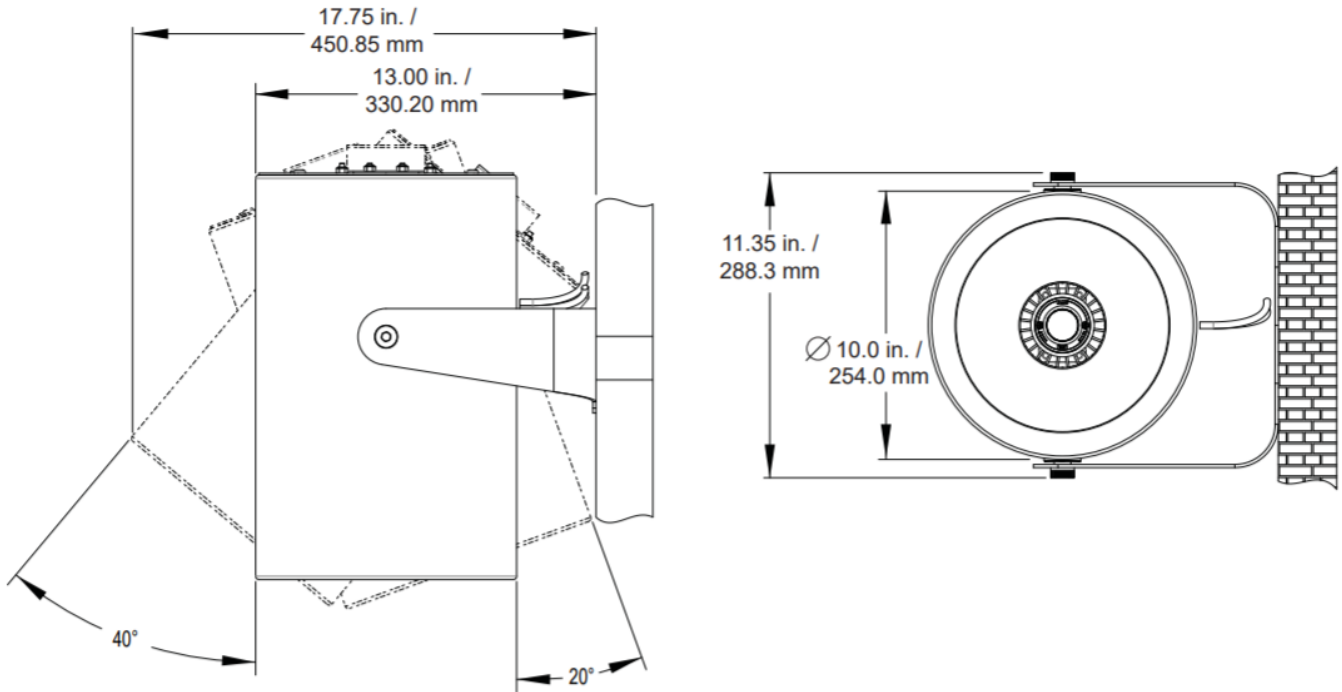
**NOTES:**

(B) Specify Length of aircraft cable: Up to 20 ft. / 6.1 m. Measurement shown with 12-inch cable for reference only.

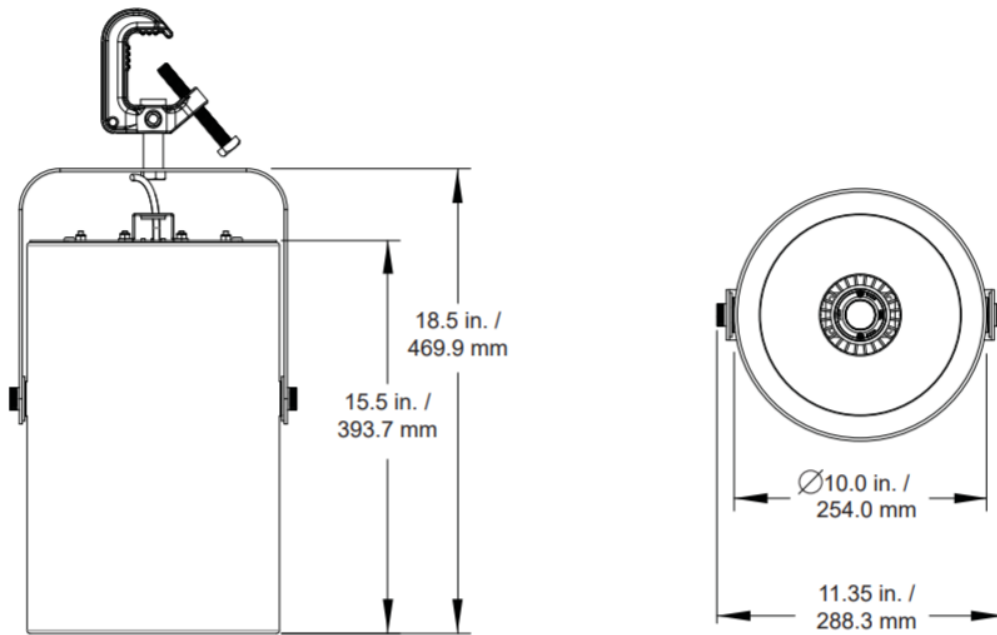


**Dimensional Drawing**

*Wall Mount*



*Yoke Mount*



# Specifications

**Materials:** Corrosion-resistant materials and hardware

**Control:** Mains dimmable or DMX/RDM

**Light Engine:** 145W LED Array - Available in 2700K, 3000K, 4000K, or 5000K

**Lumens:** Maximum 13,765

**Rated LED Life:** Array rating >50,000 hours to L70

**Input Voltage:** 100-277 VAC 50/60 Hz

**Watts:** 150

**Current Draw:** DMX Models: 1.2A @ 120VAC / 0.68A @ 220VAC / 0.58A @ 277VAC  
Mains Dimmable Models: 1.11A @ 120VAC / 0.50A @ 240VAC

**Power Factor** > 0.92 @ Full Load (Mains Dimmable Models)

**Current Inrush** 15Apk Max 1/2 cycle @230VAC

**Quiescent Load** 3.1 Watts (DMX Models Only)

**LED Engine Cooling:** (Mains Dimmable Models)

**Environment:** Convection, passive  
0 - 40°C (32 - 104°F) with humidity of 5-95% non-condensing)

**Weight:** 28.25 lbs. (12.81 kgs.)

**Body Color:** 28.25 lbs. (12.81 kgs.)

**Compliance:** cETLus listed for indoor use

**Warranty:** Five (5) years and One (1) day

**Support:** Supported Forever - free phone and online tech support for the life of your product.

Please note that noise levels on mains dim luminaires are subject to the dimming/switching systems in which they are wired. Electrical systems displaying harmonics may increase the audible noise output from the luminaire.

**IMPORTANT!** For fixtures that are mains dim controlled, do not connect more than four (4) luminaires to the same dimmer. Connecting more than four luminaires to the same dimmer will result in undesired low-end dimmer response. Note: dimmer must be sized appropriately to handle the luminaire load.

PART NUMBER	MODEL	COOLING
CDP150-*_*_*_*_*_*	Chalice 150 Pendant	Mains dim version has driver fan.
CDA150-*_*_*_*_*_*	Chalice 150 Aircraft Cable	Mains dim version has driver fan.
CDW150-*_*_*_*_*_*	Chalice 150 Wall	Mains dim version has driver fan.
CDY150-*_*_*_*_*_*	Chalice 150 Yoke	Mains dim version has driver fan.

# Ordering Information

**CDA150-(LED ARRAY)-(BODY COLOR)-(CONTROL)- (VOLTAGE)**  
**Model** CDA150 Chalice Pendant Aircraft Cable LED Luminaire\*

**CDP150-(LED ARRAY)-(BODY COLOR)-(CONTROL)- (VOLTAGE)**  
**Model** CDP150 Chalice Pendant LED Luminaire\*\*

**CDY150-(LED ARRAY)-(BODY COLOR)-(CONTROL)- (VOLTAGE)**  
**Model** CDY150 Chalice Yoke Mount LED Luminaire

**CDW150-(LED ARRAY)-(BODY COLOR)-(CONTROL)- (VOLTAGE)**  
**Model** CDP150 Chalice Wall Mount LED Luminaire

**LED Array:** 2K (2700K), 3K (3000K), 4K (4000K) or 5K (5000K)

**Body Color:** Black (B) or White (W) or Custom (C)\*\*\*

**Control:** DMX Control (D) or Mains Dimmable (M)\*\*\*\*

**Voltage:** 120 (120VAC), 220 (220VAC), or 277 (277VAC)

*Notes:*  
\* Mounting: Maximum length for Aircraft cable = 20'-0" (6.1 m)  
\*\* Mounting: Minimum length of Pendant = 6" (152mm). Custom stem lengths available. Consult your local regional sales manager for details.  
\*\*\* Consult factory before ordering.  
\*\*\*\* Mains Dimmable models available in 120VAC or 220VAC only.

# Accessories

**19-F13379** 20 Degree Narrow Spot Reflector  
**19-F13380** 29 Degree Spot Reflector  
**19-F13325** 39 Degree Narrow Flood Reflector  
**19-F13381** 46 Degree Medium Flood Reflector  
**19-F13401** 51 Degree Wide Flood Reflector  
**19-F13402** 64 Degree Very Wide Flood Reflector  
**19-F13838** 91 Degree Extra Wide Flood Reflector  
**510** Malleable Iron Pipe Clamp  
**99-C545-S-\*** Ball Mount Assembly  
**70-3980** Aircraft Cable Suspension Assembly (natural silver only)  
**CDP150-TH-\*** CDP150 Top Hat  
**CDP150-HTH-\*** CDP150 Half Top Hat  
**CDP150-BD-\*** CDP150 four flap Barn Door  
**CDP-STEM-72** 72" stem length addition\*\*

*Note:* \* For these optional accessories, specify color Black (B), White (W) or Custom (C). For custom colors, consult factory before ordering.  
\*\* Added 72" stem length including 3/8" IPS Coupler, & 72" of added wiring. Maximum of 364" which is 4 stem additions per fixture.



Altman Lighting +1 303 500-7072  
 1400 East 66th Avenue sales@altmanlighting.com  
 Denver, CO 80229 USA support@altmanlighting.com

All specifications, descriptions, information, design, etc. contained in this document are subject to change without prior notice. All rights reserved.  
 4 January 2021 © 2021 Altman Stage Lighting, Inc.