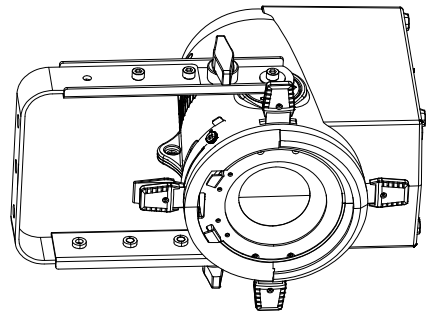
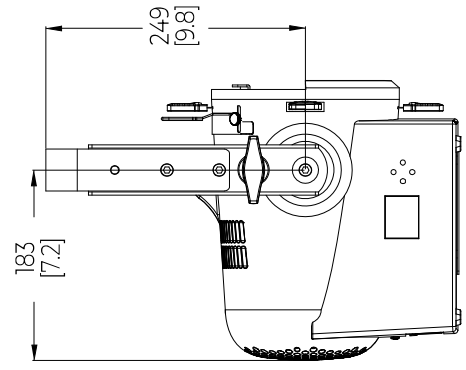
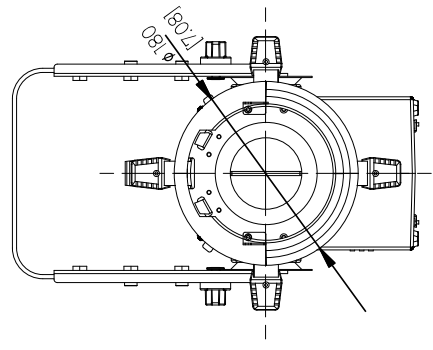
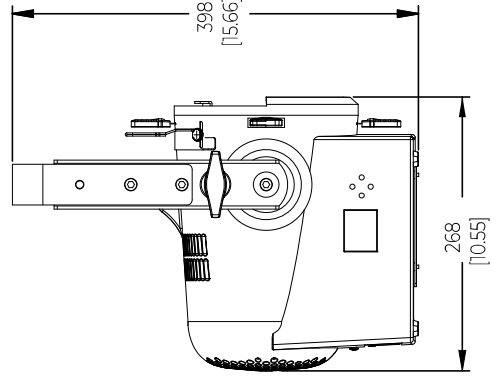
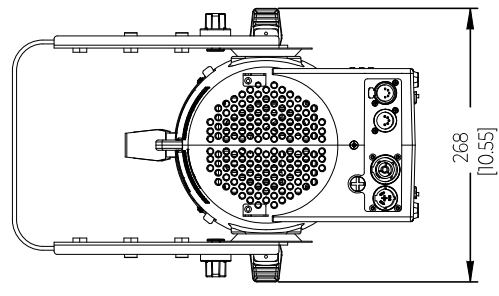
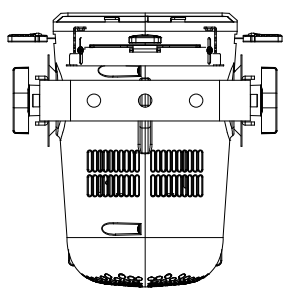


4 3 2 1

REV	EC #	DESCRIPTION	DATE	APPD
-		INITIAL DESIGN		

REVISIONS	



NEXT ASSY		VARI-LITE	
PREVIOUS ASSY		N/A	
OPERATED BY		F.E.C.	
DESIGNED BY		D.A.	
CHECKED BY		D.A.	
DATE			
SCALE			
DRAWING NUMBER			
PROJECT NUMBER			
SHEET NUMBER			
SHEET TOTAL			
DRAWING DATE			
DRAWING BY			
DRAWING CHECKED BY			
DRAWING APPROVED BY			

4 3 2 1

D C B A

D C B A

VARI-LITE, LLC

10000 W. 10th St., Suite 100, Overland Park, KS 66211

TEL: 913.666.1111 FAX: 913.666.1112

WWW.VARILITE.COM