

User Manual

COLORADO 2 SOLO VW



Model ID: COLORADO2SOLOVW


CHAUVET
PROFESSIONAL

Edition Notes

The COLORado 2 Solo VW User Manual includes a description, safety precautions, installation, programming, operation and maintenance instructions for the COLORado 2 Solo VW as of the release date of this edition.

Trademarks

CHAUVET, the Chauvet logo and COLORado 2 Solo VW are registered trademarks or trademarks of Chauvet & Sons, LLC (d/b/a Chauvet and Chauvet Lighting) in the United States and other countries. Other company and product names and logos referred to herein may be trademarks of their respective companies.

Copyright Notice

The works of authorship contained in this manual, including, but not limited to, all design, text and images are owned by Chauvet.

© Copyright 2022 Chauvet & Sons, LLC. All rights reserved.

Electronically published by Chauvet in the United States of America.

Manual Use

Chauvet authorizes its customers to download and print this manual for professional information purposes only. Chauvet expressly prohibits the usage, copy, storage, distribution, modification, or printing of this manual or its content for any other purpose without written consent from Chauvet.

Document Printing

For best results, print this document in color, on letter size paper (8.5 x 11 in), double-sided. If using A4 paper (210 x 297 mm), configure the printer to scale the content accordingly.

Intended Audience

Any person installing, operating, and/or maintaining this product should completely read through the guide that shipped with the product, as well as this manual, before installing, operating, or maintaining this product.

Disclaimer

Chauvet believes that the information contained in this manual is accurate in all respects. However, Chauvet assumes no responsibility and specifically disclaims any and all liability to any party for any loss, damage or disruption caused by any errors or omissions in this document, whether such errors or omissions result from negligence, accident or any other cause. Chauvet reserves the right to revise the content of this document without any obligation to notify any person or company of such revision, however, Chauvet has no obligation to make, and does not commit to make, any such revisions. Download the latest version from www.chauvetprofessional.com.

Document Revision

This COLORado 2 Solo VW User Manual is the 1st edition of this document. Go to www.chauvetprofessional.com for the latest version.

TABLE OF CONTENTS

- 1. Before You Begin** 1
 - What Is Included 1
 - Claims 1
 - Manual Conventions 1
 - Symbols 1
 - Safety Notes..... 2
 - Personal Safety..... 2
 - Mounting and Rigging 2
 - Power and Wiring..... 2
 - Operation 2
 - Expected LED Lifespan..... 2
- 2. Introduction** 3
 - Features 3
 - Product Overview 3
 - Product Dimensions 4
- 3. Setup**..... 5
 - AC Power 5
 - AC Plug 5
 - Power Linking..... 5
 - DMX Linking..... 5
 - Remote Device Management..... 5
 - Master/Slave Connectivity..... 5
 - Mounting 6
 - Orientation..... 6
 - Rigging 6
 - Procedure..... 6
- 4. Operation** 7
 - Control Panel Operation..... 7
 - Control Options 7
 - Programming..... 7
 - Control Panel Lock..... 7
 - Passcode 7
 - Menu Map 8
 - DMX Configuration..... 9
 - DMX Personalities..... 9
 - DMX Control..... 9
 - Loss Of Signal..... 9
 - DMX Values 10
 - Standalone Configuration..... 12
 - Static Colors..... 12
 - Settings 12
 - System Information 12
- 5. Technical Information** 13
 - Product Maintenance 13
- 6. Technical Specifications** 14
- Returns** 15
- Contact Us** 16

1. Before You Begin

What Is Included

- COLORado 2 Solo VW
- Seetronic Powerkon IP65 power cord
- Quick Reference Guide

Claims

Carefully unpack the product immediately and check the container to make sure all the parts are in the package and are in good condition.





If the box or the contents (the product and included accessories) appear damaged from shipping, or show signs of mishandling, notify the carrier immediately, not Chauvet. Failure to report damage to the carrier immediately may invalidate your claim. In addition, keep the box and contents for inspection.

For other issues, such as missing components or parts, damage not related to shipping, or concealed damage, file a claim with Chauvet within 7 days of delivery.

Manual Conventions

Convention	Meaning
1–512	A range of values
50/60	A set of values of which only one can be chosen
<SET>	A button on the product's control panel
Settings	A product function or a menu option

Symbols

Symbol	Meaning
	Electrical warning. Not following these instructions may cause electrical damage to the product, accessories, or the user.
	Critical installation, configuration, or operation information. Not following these instructions may make the product not work, cause damage to the product, or cause harm to the operator.
	Important installation or configuration information. The product may not function correctly if this information is not used.
	Useful information.



Any reference to data or power connections in this manual assumes the use of Seetronic IP-rated cables.



The term “DMX” used throughout this manual refers to the USITT DMX512-A digital data transmission protocol.

Before You Begin

Safety Notes

Read all the following safety notes before working with this product. These notes contain important information about the installation, usage, and maintenance of this product.



This product contains no user-serviceable parts. Any reference to servicing in this User Manual will only apply to properly trained, certified technicians. Do not open the housing or attempt any repairs.



All applicable local codes and regulations apply to proper installation of this product.

Personal Safety

- Avoid direct eye exposure to the light source while the product is on.
- Always disconnect the product from the power source before cleaning or replacing the fuse.
- Always connect the product to a grounded circuit to avoid the risk of electrocution.
- Do not touch the product's housing when operating because it may be very hot.

Mounting and Rigging

- Do not submerge this product (IP65). Temporary outdoor operation is fine.
- When using this product in an outdoor environment, use IP65 (or higher) rated power and data cables. Secure unused power and data ports with attached IP65 covers.
- CAUTION: When transferring product from extreme temperature environments, (e.g., cold truck to warm, humid ballroom) condensation may form on the internal electronics of the product. To avoid causing a failure, allow product to fully acclimate to the surrounding environment before connecting it to power.
- Not for permanent outdoor installation in locations with extreme environmental conditions. This includes, but is not limited to:
 - Exposure to a marine/saline environment (within 3 miles of a saltwater body of water).
 - Locations where the normal high or low temperatures exceed the temperature ranges in this manual.
 - Locations that are prone to flooding or being buried in snow.
 - Areas where the product will be subjected to extreme radiation or caustic substances.
- The luminaire should be positioned so that prolonged staring into the luminaire at a distance closer than 10 ft (3 m) is not expected.
- Mount this product in a location with adequate ventilation, at least 20 in (50 cm) from adjacent surfaces.
- Make sure there are no flammable materials close to the product when operating.
- When hanging this product, always secure to a fastening device using a safety cable.

Power and Wiring

- Always make sure you are connecting the product to the proper voltage in accordance with the specifications in this manual or on the product's specification label.
- Never connect the product to a dimmer pack or rheostat.
- Never disconnect this product by pulling or tugging on the power cable.
- The light source contained in this luminaire shall only be replaced by the manufacturer or his service agent or a similar qualified person.
- If the external flexible cable or cord of this luminaire is damaged, it shall be replaced by a special cord or cord exclusively available from the manufacturer or his service agent.

Operation

- The luminaire is intended for professional use only.
- Do not operate this product if there is damage on the housing, lenses, or cables. Have the damaged parts replaced by an authorized technician at once.
- Do not cover the ventilation slots when operating to avoid internal overheating.
- The maximum ambient temperature is 113 °F (45 °C). Do not operate the product at higher temperatures.
- The minimum startup temperature is -4°F (-20°C). Do not start the product at lower temperatures.
- The minimum ambient temperature is -22°F (-30°C). Do not operate the product at lower temperatures.
- In the event of a serious operation problem, stop using this product immediately!



If your Chauvet product requires service, contact Chauvet Technical Support.

Expected LED Lifespan

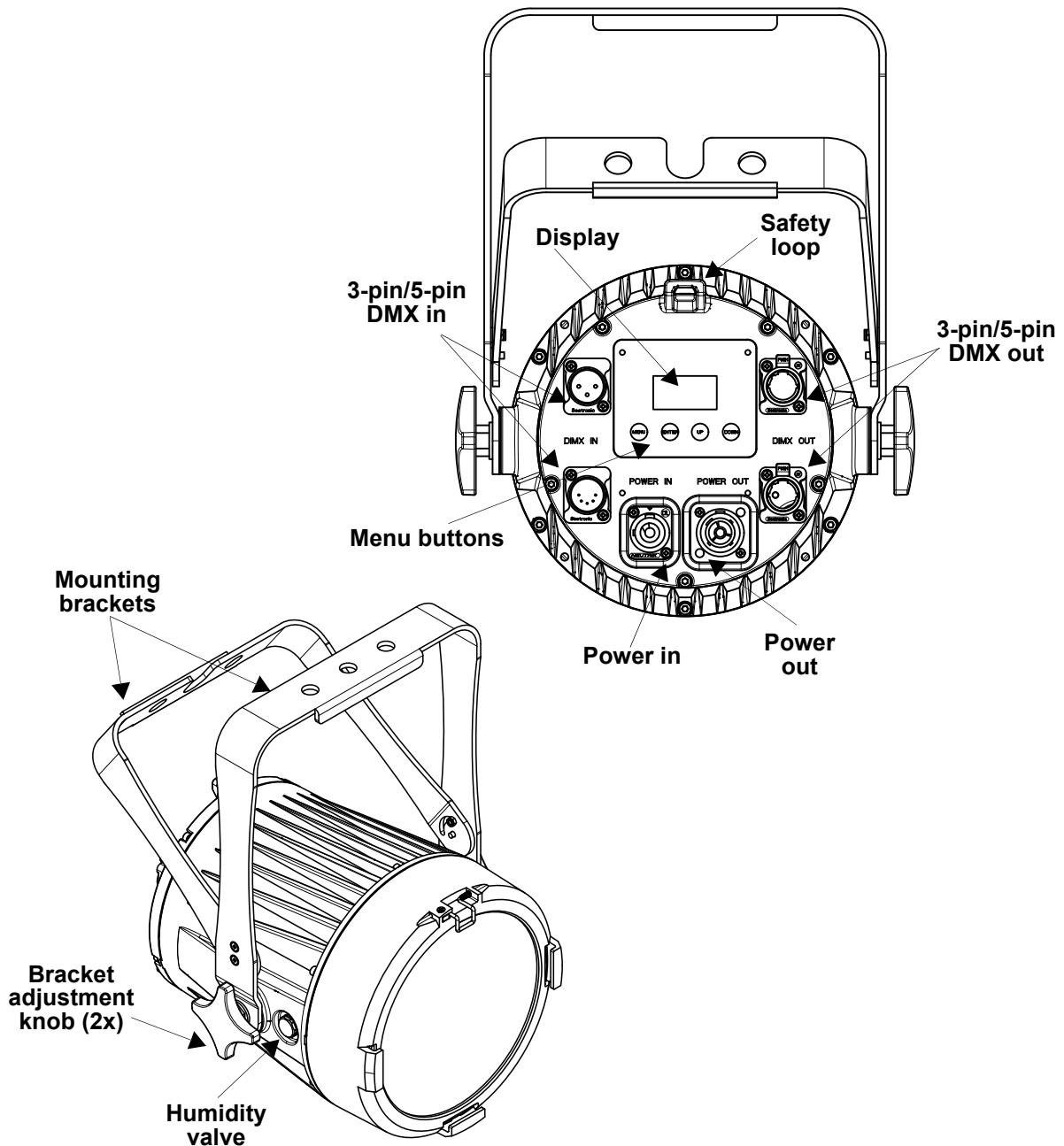
Over time, use and heat will gradually reduce LED brightness. Clustered LEDs produce more heat than single LEDs, contributing to shorter lifespans if always used at full intensity. The average LED lifespan is 40,000 to 50,000 hours. To extend LED lifespan, maintain proper ventilation around the product, and limit the overall intensity.

2. Introduction

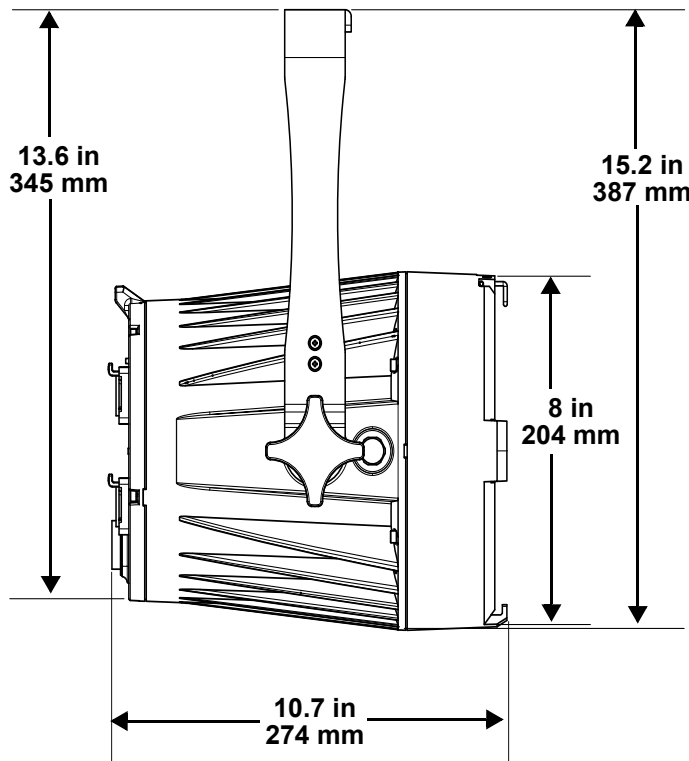
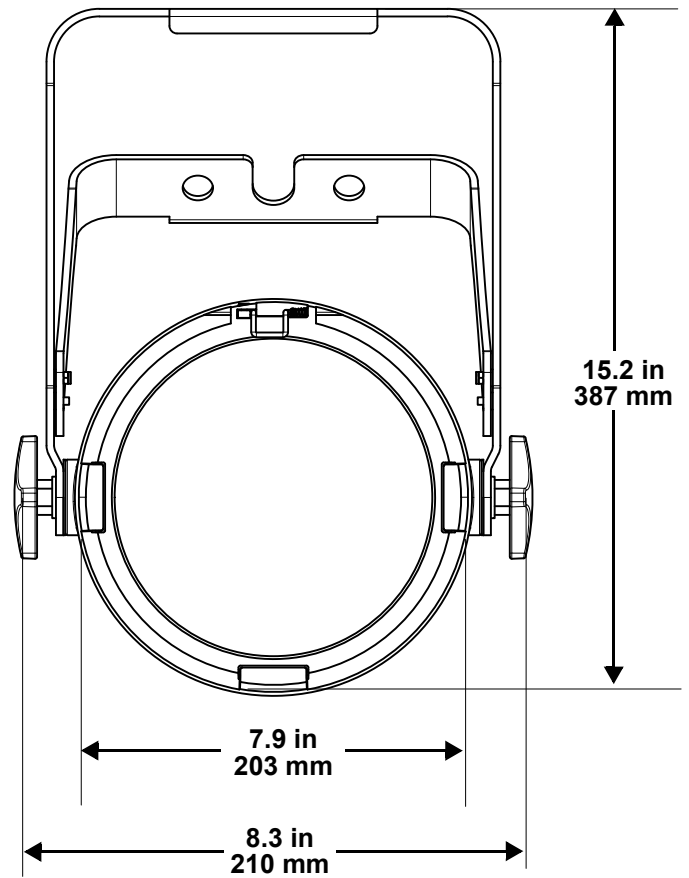
Features

- Zooming variable white LED wash for touring, rental, and production, indoors or out
- Completely homogenized wash with superior color mixing and zoom
- 5° to 48° smooth and fast zoom
- All environment operation with IP-rated power and DMX connections
- Color temperature presets, from 2800K to 7000K
- Selectable, smooth dimming curves for programming versatility
- OLED display with password protection

Product Overview



Product Dimensions



3. Setup

AC Power

Each COLORado 2 Solo VW has an auto-ranging power supply that works with an input voltage range of 100 to 240 VAC, 50/60 Hz. To determine the power requirements for each COLORado 2 Solo VW, refer to the label affixed to the product. You can also refer to the Technical Specifications chart in this manual.

The listed current rating indicates the maximum current draw during normal operation. For more information, download Sizing Circuit Breakers from the Chauvet website: www.chauvetprofessional.com.



- **Always connect the product to a protected circuit (a circuit breaker or fuse). Make sure the product has an appropriate electrical ground to avoid the risk of electrocution or fire.**
- **To eliminate unnecessary wear and improve its lifespan, during periods of non-use completely disconnect the product from power via breaker or by unplugging it.**



Never connect the product to a rheostat (variable resistor) or dimmer circuit, even if the rheostat or dimmer channel serves only as a 0 to 100% switch.

AC Plug

The COLORado 2 Solo VW comes with a power input cord terminated with a Seetronic Powerkon IP65 connector on one end and an Edison plug on the other end (U.S. market). If the power input cord that came with your product has no plug, or if you need the change the plug, use the table below to wire the new plug.

Connection	Wire (U.S.)	Wire (Europe)	Screw Color
AC Live	Black	Brown	Yellow or Brass
AC Neutral	White	Blue	Silver
AC Ground	Green/Yellow	Green/Yellow	Green

Power Linking

The product supports power linking. It is possible to power link up to 10 product at 100 V, 12 products at 120 V, 21 products at 208 V, 23 products at 230 V, and 24 products at 240 V.

This product comes with a power input cord. Power-linking cables are available from Chauvet for purchase.



- **To preserve the IP65 rating and the warranty of this product, Seetronic Powerkon cables must be used.**
- **Insert the attached IP65-rated plugs into the corresponding power/data connections when not in use.**

DMX Linking

The COLORado 2 Solo VW can be linked to a DMX controller using a 3-pin or 5-pin DMX connection. If using other DMX-compatible products with this product, each can be controlled individually with a single DMX controller.

Remote Device Management

Remote Device Management (RDM) is a standard for allowing DMX-enabled devices to communicate bi-directionally along existing DMX cabling. Check the DMX controller's User Manual or with the manufacturer as not all DMX controllers have this capability. The COLORado 2 Solo VW supports RDM protocol that allows feedback to make changes to menu map options.

Master/Slave Connectivity

The Master/Slave mode allows an COLORado 2 Solo VW (the master) to control one or more COLORado 2 Solo VW products (the slaves) without a DMX controller. One COLORado 2 Solo VW becomes the master when running an auto program or by being in Static mode.

Each slave's control panel must be configured to operate in Slave mode. During Master/Slave operation, the slaves will operate in unison with the master.



DO NOT connect a DMX controller to products operating in Master/Slave mode. The DMX controller signals may interfere with the signals from the master.



- The [Operation](#) section of this manual provides detailed instructions on how to configure the master and slaves.
- **If you are not familiar with or need more information about DMX standards, or the DMX cables needed to link this product to a DMX controller, download the DMX Primer from the Chauvet website: www.chauvetprofessional.com.**

Mounting

Before mounting the product, read and follow the safety recommendations indicated in the [Safety Notes](#). For our CHAUVET Professional line of mounting clamps, go to <http://trusst.com/products/>.

Orientation

Always mount this product in a safe position, making sure there is adequate room for ventilation, configuration, and maintenance.

Rigging

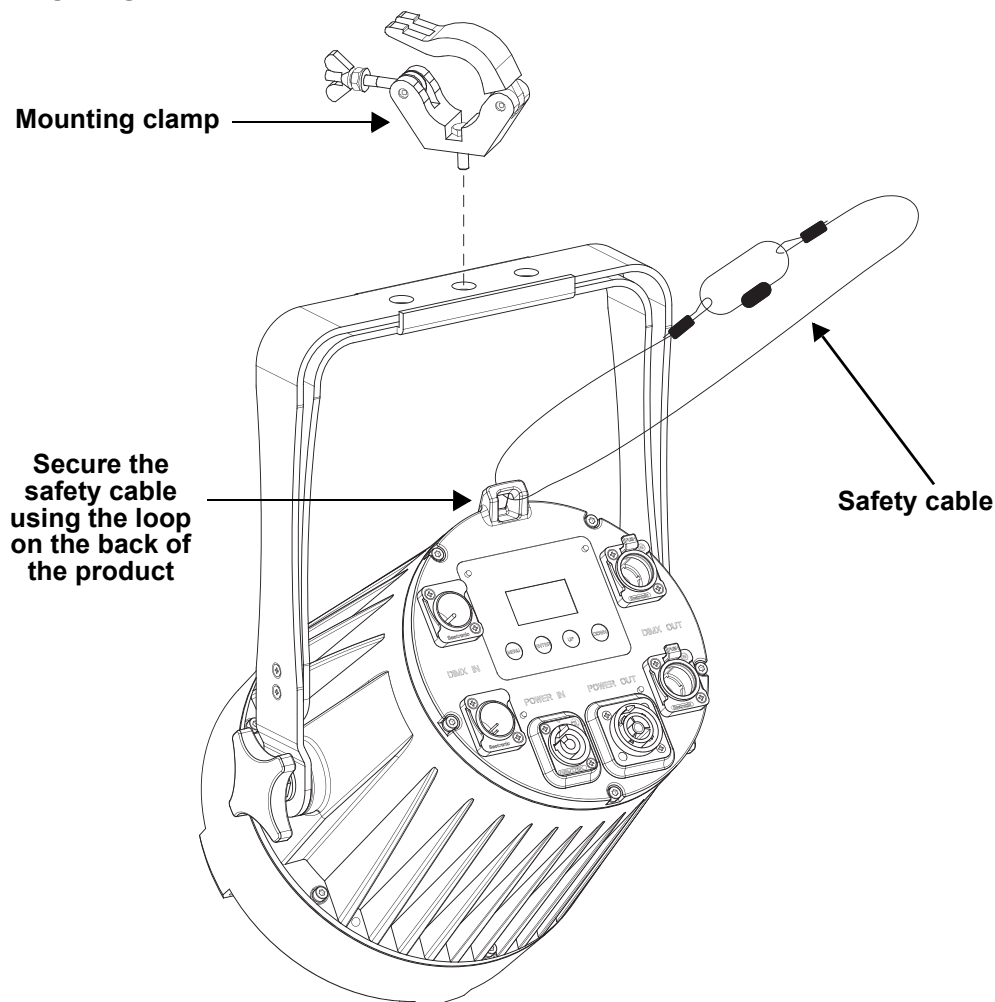
Chauvet recommends using the following general guidelines when mounting this product.

- Before deciding on a location for the product, make sure there is easy access to the product for maintenance and programming purposes.
- Make sure that the structure onto which you are mounting the product can support the product's weight (see the [Technical Specifications](#) for weight information).
- When mounting the product overhead, always use a safety cable. Mount the product securely to a rigging point, whether an elevated platform or a truss.
- When rigging the product onto a truss, use a mounting clamp of appropriate weight capacity.
- When power linking multiple products, mount the products close enough for power linking cables to reach.
- The bracket adjustment knobs allow for directional adjustment when aiming the product to the desired angle. Only loosen or tighten the bracket knobs manually. Using tools could damage the knobs.

Procedure

The COLORado 2 Solo VW comes with a bracket to which a mounting clamp can be attached directly. Mounting clamps are sold separately. Make sure the clamps are capable of supporting the weight of this product. Use at least one mounting point per product. For the CHAUVET Professional line of mounting clamps, go to <http://www.trusst.com/products>.

Mounting Diagram



4. Operation

Control Panel Operation

Button	Function
<MENU>	Exits from the current menu or function
<ENTER>	Enables the currently displayed menu or sets the currently selected value in to the current function
<UP>	Navigates upward through the menu list or increases the numeric value when in a function
<DOWN>	Navigates downward through the menu list or decreases the numeric value when in a function

Control Options

Set the COLORado 2 Solo VW starting address in the 001-512 DMX range. This enables control of up to 24 products in the 10-channel personality.

Programming

Refer to the Menu Map to understand the menu options. The menu map shows the main level and a variable number of programming levels for each option.

- To go to the desired main level, press <MENU> repeatedly until the option shows on the display. Press <ENTER> to select. This will take you to the first programming level for that option.
- To select an option or value within the current programming level, press <UP> or <DOWN> until the option shows on the display. Press <ENTER> to select. In this case, if there is another programming level, you will see that first option, or you will see the selected value.
- Press <MENU> repeatedly to exit to the previous main level.

Control Panel Lock

This setting enables you to activate or disable the control panel lock, which keeps unauthorized users from changing the product's settings.

1. Go to the **Key Lock** main level.
2. Select **On** or **Off**.



When the control panel lock is activated, in order to access the products main programming level, the product will prompt for the passcode.

Passcode

After being prompted to enter the passcode:

Press <UP>, <DOWN>, <UP>, <DOWN>, <ENTER>

Menu Map

Refer to the COLORado 2 Solo VW product page on www.chauvetprofessional.com for the latest menu map.

Main Level	Programming Levels		Description		
Static	CCT	2800K	WW 0–255 CW 0–255 ZOOM 0–255	Selects a preset color temperature	
		3200K			
		3600K			
		4000K			
		4500K			
		5000K			
		5500K			
		6000K			
		6500K			
	7000K				
	Manual	White	0–255	Sets the warm white level	
		Cool		Sets the cool white level	
		Zoom		Sets the beam angle (zoom)	
		Strobe		Sets the strobe frequency	
DMX Address	001–512		Sets the DMX starting address		
Run Mode	Dmx		DMX/Master mode		
	Slave		Slave mode		
Zoom Mode	Zoom Mode 1		Normal operation		
	Zoom Mode 2		Recommended for use at <40 °F (<4.5°C)		
Personality	1Ch		1-channel: dimmer (set by Full Power CCT)		
	4Ch		4-channel: dimmer, WW+CW, zoom		
	7Ch		7-channel: 16-bit dimmer, 16-bit WW+CW, zoom		
	10Ch		10-channel: 16-bit dimmer, 16-bit WW+CW, color temperature, strobe, zoom, control		
	10Ch Steady		10-channel: with steady output		
Setting (Enter Passcode)	Reset (Enter Passcode)		Resets the product to factory defaults		
	Dimmer	Off		Selects the dimmer profile from fast (1) to slow (4) or Off	
		Dimmer 1–4			
	Dmx Error	Hold Last		Continues the last command upon loss of DMX signal	
		Blackout		Blacks out product upon loss of DMX	
	Led Frequency	600Hz		Selects the pulse width modulation frequency	
		1200Hz			
		2000Hz			
		4000Hz			
		6000Hz			
	Full Power CCT	25KHz		Sets the color temperature when all levels are set to 100%	
		3200K			
		4200K			
		5600K			
Key Lock	Normal		Enables maximum output		
	On		Locks the display. Passcode: <UP>, <DOWN>, <UP>, <DOWN>, <ENTER>		
Off					
Information	Version	V_ _ _ _		Shows the current firmware version	
	RDM	UID	_ _ _ _ _		Shows the product UID
		Label	COLORado 2 Solo VW		Shows the product RDM label

DMX Configuration

Use DMX configurations to operate the product with a DMX controller.

DMX Personalities

This setting allows you to choose a particular DMX personality.

1. Go to the **Personality** main level
2. Select the desired personality (**1Ch**, **4Ch**, **7Ch**, **10Ch**, or **10Ch Steady**).



- See the [DMX Values](#) section for the highest starting address you can select for each personality.
- Make sure that the starting addresses on the various products do not overlap due to the new personality setting.

DMX Control

In this mode, each product will respond to a unique starting address from the DMX controller. All products with the same starting address will respond in unison.

1. Select a DMX personality as shown in [DMX Personalities](#).
2. Set the running mode:
 - a. Go to the **Run Mode** main level
 - b. Select the **DMX** programming level
3. Set the starting address:
 - a. Go to **DMX Address** main level
 - b. Select the starting address (**001–512**)

The highest recommended starting address for each DMX mode is as follows:

DMX Personality	DMX Address	DMX Personality	DMX Address
1Ch	512	7Ch	506
4Ch	509	10Ch / 10Ch Steady	503

Loss Of Signal

This setting controls how the product will respond when the DMX signal is lost.

1. Go to the **Setting** main level
2. Enter the master access passcode as described in [Passcode](#).
3. Select **Dmx Error**
 - a. Select **Hold Last** to make the product use the last command used when the signal is lost.
 - b. Select **Blackout** to turn off the all the LEDs when the signal is lost.

DMX Values

10Ch/10Ch Steady

Channel	Function	Value	Percent/Setting
1	Dimmer	000 ⇔ 255	0–100%
2	Fine dimmer	000 ⇔ 255	0–100%
3	Warm white	000 ⇔ 255	0–100%
4	Fine warm white	000 ⇔ 255	0–100%
5	Cool white	000 ⇔ 255	0–100%
6	Fine cool white	000 ⇔ 255	0–100%
7	Color temperature	000 ⇔ 010	No function
		011	2800K
		012 ⇔ 040	2801–3199K
		041	3200K
		042 ⇔ 070	3201–3599K
		071	3600K
		072 ⇔ 100	3601–3999K
		101	4000K
		102 ⇔ 130	4001–4499K
		131	4500K
		132 ⇔ 160	4501–4999K
		161	5000K
		162 ⇔ 190	5001–5499K
		191	5500K
		192 ⇔ 220	5501–5999K
		221	6000K
222 ⇔ 250	6001–6499K		
251	6500K		
252 ⇔ 254	6501–6999K		
255	7000K		
8	Strobe	000 ⇔ 009	No function
		010 ⇔ 099	Strobe, slow to fast
		100 ⇔ 109	No function
		110 ⇔ 179	Lightning effect, slow to fast
		180 ⇔ 189	No function
		190 ⇔ 255	Random strobe, slow to fast
9	Zoom	000 ⇔ 255	Zoom, narrow to wide
10	Control	000 ⇔ 010	No function
		011 ⇔ 070	Reserved for future use
		071 ⇔ 080	600 Hz pulse width modulation
		081 ⇔ 090	1200 Hz pulse width modulation
		091 ⇔ 100	2000 Hz pulse width modulation
		101 ⇔ 110	4000 Hz pulse width modulation
		111 ⇔ 120	6000 Hz pulse width modulation
		121 ⇔ 130	25 KHz pulse width modulation
		131 ⇔ 140	Dimmer reset
		141 ⇔ 150	Dimmer mode Off
		151 ⇔ 160	Dimmer mode 1
		161 ⇔ 170	Dimmer mode 2
		171 ⇔ 180	Dimmer mode 3
		181 ⇔ 190	Zoom reset
		191 ⇔ 200	All reset
201 ⇔ 255	Reserved for future use		

7Ch

Channel	Function	Value	Percent/Setting
1	Dimmer	000 ⇄ 255	0–100%
2	Fine dimmer	000 ⇄ 255	0–100%
3	Warm white	000 ⇄ 255	0–100%
4	Fine warm white	000 ⇄ 255	0–100%
5	Cool white	000 ⇄ 255	0–100%
6	Fine cool white	000 ⇄ 255	0–100%
7	Zoom	000 ⇄ 255	Zoom, narrow to wide

4Ch

Channel	Function	Value	Percent/Setting
1	Dimmer	000 ⇄ 255	0–100%
2	Warm white	000 ⇄ 255	0–100%
3	Cool white	000 ⇄ 255	0–100%
4	Zoom	000 ⇄ 255	Zoom, narrow to wide

1Ch

Channel	Function	Value	Percent/Setting
1	Dimmer	000 ⇄ 255	0–100% (color set by Full Power CCT menu option)

Operation

Standalone Configuration

Static Colors

Color Temperature

To select a preset color temperature, follow the instructions below:

1. Go to the **Static** main level.
2. Select **CCT**.
3. Choose from the preset color temperature, from **2800K** to **7000K**.
4. Adjust the zoom range, from **0** to **255**.

Manual

To manually adjust the color temperature, zoom, and strobe settings, do the following:

1. Go to the **Static** main level.
2. Select **Manual**.
3. Select the function to adjust: **White** (for warm white), **Cool** (for cool white), **Zoom** (for beam angle), and **Strobe** (for strobe frequency).
4. Change the value of the function, **000–255**.

Settings

Zoom Mode

To set the zoom mode, follow the instructions below:

1. Go to the **Zoom Mode** main level.
2. Select **Zoom Mode 1** (for normal operation) or **Zoom Mode 2** (recommended for use at temperatures lower than 40 °F / 4.5 °C).

LED Frequency

To change the Pulse Width Modulation (PWM) frequency of the LEDs on COLORado 2 Solo VW, follow the instructions below:

1. Go to the **Setting** main level.
2. Select **LED Frequency**.
3. Select the PWM frequency (**600Hz**, **1200Hz**, **2000Hz**, **4000Hz**, **6000Hz**, or **25KHz**)

Full Power Color Temperature

To set the color temperature when all levels are at 100%, do the following:

1. Go to the **Setting** main level.
2. Select **Full Power CCT**.
3. Choose from **Normal** (enables maximum output) to the following color temperature (**3200K**, **4200K**, or **5600K**).

System Information

RDM

To view the product's RDM information, follow the instructions below:

1. Go to the **Information** main level.
2. Select **RDM**.
3. Choose **UID** (to show the product's UID) or **Label** (to display the product's RDM label).

Firmware Version

To view the product's current firmware version, do the following:

1. Go to the **Information** main level.
2. Select **Version**.

5. Technical Information

Product Maintenance

To maintain optimum performance and minimize wear, clean this product frequently. Usage and environment are contributing factors in determining the cleaning frequency.

Clean this product at least twice a month. Dust build-up reduces light output performance and can cause overheating. This can lead to reduced light source life and increased mechanical wear.

To clean the product:

1. Unplug the product from power.
2. Wait until the product is at room temperature.
3. Use a vacuum (or dry compressed air) and a soft brush to remove dust collected on the external vents.
4. Clean all transparent surfaces with a mild soap solution, ammonia-free glass cleaner, or isopropyl alcohol.
5. Apply the solution directly to a soft, lint free cotton cloth or a lens cleaning tissue.
6. Softly drag any dirt or grime to the outside of the transparent surface.
7. Gently polish the transparent surfaces until they are free of haze and lint.



Always dry the transparent surfaces carefully after cleaning them.



Avoid spinning the cooling fans using compressed air to prevent damage.

Technical Specifications

6. Technical Specifications

Dimensions and Weight

Length	Width	Height	Weight
8.26 in (210 mm)	10.7 in (274 mm)	15.2 in (387 mm)	16.0 lb (7.2 kg)

Note: Dimensions in inches rounded to the nearest decimal digit.

Power

Power Supply Type	Range	Voltage Selection
Switching (internal)	100 to 240 VAC, 50/60 Hz	Auto-ranging

Parameter	100 V, 60 Hz	120 V, 60 Hz	208 V, 60 Hz	230 V, 50 Hz	240 V, 50 Hz
Consumption	128 W	127 W	125 W	123 W	123 W
Operating current	1.28 A	1.06 A	0.62 A	0.57 A	0.55 A
Power-linking current (products)	13.6 A (10 product)	13.6 A (12 products)	13.6 A (21 products)	13.6 A (23 products)	13.6 A (24 products)

Power I/O	U.S./Worldwide	UK/Europe
Power input connector	Seetronic Powerkon IP65	Seetronic Powerkon IP65
Power output connector	Seetronic Powerkon IP65	Seetronic Powerkon IP65
Power cord plug	Edison (U.S.)	Local plug

Light Source

Type	Color	Quantity	Power	Current	Lifespan
LED	Dual-color Cool White/ Warm White	3	35 W	2.42 A	50,000 hours

Photometrics

Parameter	Value	Parameter	Value
Beam angle	4.8° to 35.5°	Zoom range (Beam angle to Cutoff angle)	4.8° to 56.7°
Field angle	7.3° to 48.4°	Zoom range (Narrowest beam angle to widest field angle)	4.8° to 48.4°
Cutoff angle	9° to 56.7°	Illuminance (4.8°)	8,744 lux @ 5m
		Illuminance (48.4°)	213 lux @ 5m

Thermal

Maximum External Temperature	Cooling System
113 °F (45 °C)	Convection

DMX

I/O Connector	Channel Range
3-pin/5-pin IP-rated XLR	1, 4, 7, or 10 channels

Ordering

Product Name	Item Name	Item Code	UPC Number
COLORado 2 Solo VW	COLORADO2SOLOVW	01031927	781462222758



RoHS



Returns

Send the product prepaid, in the original box, and with the original packing and accessories. Chauvet will not issue call tags.

Call Chauvet and request a Return Merchandise Authorization (RMA) number before shipping the product. Be prepared to provide the model number, serial number, and a brief description of the cause(s) for the return.

To submit a service request online, go to www.chauvetprofessional.com/service-request.

Clearly label the package with an RMA number. Chauvet will refuse any product returned without an RMA number.



Write the RMA number on a properly affixed label. DO NOT write the RMA number directly on the box.

Once you have the RMA number, provide the following information on a piece of paper and place it inside the box:

- Your name
- Your address
- Your phone number
- RMA number
- A brief description of the problem

Be sure to pack the product properly. Any shipping damage resulting from inadequate packaging will be your responsibility. FedEx packing or double-boxing are recommended.



Chauvet reserves the right to use its own discretion to repair or replace returned product(s).

Contact Us

General Information	Technical Support
World Headquarters	
Address: 5200 NW 108th Ave. Sunrise, FL 33351 Voice: (954) 577-4455 Fax: (954) 929-5560 Toll Free: (800) 762-1084	Voice: (844) 393-7575 Fax: (954) 756-8015 Email: chauvetcs@chauvetlighting.com Website: www.chauvetprofessional.com
U.K.	
Address: Unit 1C Brookhill Road Industrial Estate Pinxton, Nottingham, UK NG16 6NT Voice: +44 (0) 1773 511115 Fax: +44 (0) 1773 511110	Email: UKtech@chauvetlighting.eu Website: www.chauvetprofessional.eu
Benelux	
Address: Stokstraat 18 9770 Kruishoutem Belgium Voice: +32 9 388 93 97	Email: BNLtech@chauvetlighting.eu Website: www.chauvetprofessional.eu
France	
Address: 3, Rue Ampère 91380 Chilly-Mazarin France Voice: +33 1 78 85 33 59	Email: FRtech@chauvetlighting.fr Website: www.chauvetprofessional.eu
Germany	
Address: Bruno-Bürgel-Str. 11 28759 Bremen Germany Voice: +49 421 62 60 20	Email: DEtech@chauvetlighting.de Website: www.chauvetprofessional.eu
Mexico	
Address: Av. de las Partidas 34 - 3B (Entrance by Calle 2) Zona Industrial Lerma Lerma, Edo. de México, CP 52000 Voice: +52 (728) 690-2010	Email: servicio@chauvet.com.mx Website: www.chauvetprofessional.mx

Visit the applicable website above to verify our contact information and instructions to request support. Outside the U.S., U.K., Ireland, Benelux, France, Germany, or Mexico, contact the dealer of record.