

GALLERY 50W LED WASH/BEAM

The Altman Gallery series is a family of luminaires designed to serve as the most versatile solution available to facilities ranging from museums and art galleries to hotel, retail, and restaurants where aesthetic and performance expectations are high.

The foundation of this scalable luminaire family is a 50 Watt, 92+ CRI engine, that offers up to 4,000 lumens across a variety of color temperatures. The Gallery engine can be used to build a mix and match variety of wash lighting solutions that includes a beam wash with variable beam angle range of 15-60°, an asymmetric 85° vertical by 80° horizontal wall wash, and a fixed flood option at 85°. All of which can be interchanged ensuring that your facility's ever changing lighting needs will have tools flexible enough to adapt.

The Altman Gallery series is available in a variety of dimming options including: local on board dimming, mains dimming by leading or trailing edge, DMX/RDM, 0-10V, and DALI. A variety of mounting options are available including standard and data track mount, pendant, portable and ceiling mount.

Product Features:

- >4,000 Lumens (color temp and driver dependent)
- Available in multiple control options: Mains Dim, Local Dim, 0-10V, DMX/RDM, and Dali **
- Available in both hard wired, track mount and portable options ***
- Available in a 25°-50° or 15°-35° Profile zooms
- Available in four (4) different Color temperatures
- High CRI >92
- Fully homogenized, non-granulated, non-pixelated, beam
- Available in Pendant, Altman Smart Track, Portable Uni-strut or C-Clamp, Portable Remote Top Box and Ceiling canopy mounting options
- 50,000 hour life expectancy
- Available in white or black
- cETLus listed and CE marked for indoor applications
- Proudly made in the USA
- ** Consult the last page of this data sheet for control option input voltage requirements.
- *** Portable options are only available in for 120-240VAC input and DMX, Local, or Mains Dim control (120VAC only).
- Five (5) year and one (1) day warranty
- No cost technical support for the life of your product



Gallery Flood Luminaire



Gallery Beam Wash Luminaire

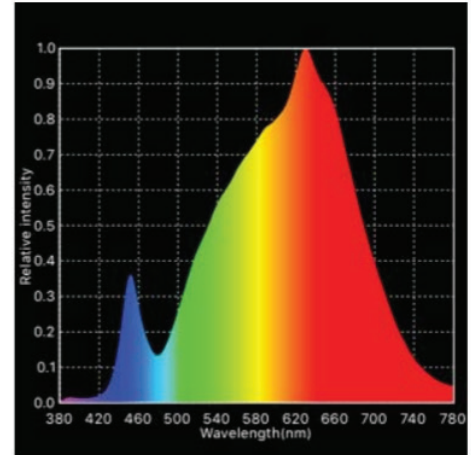
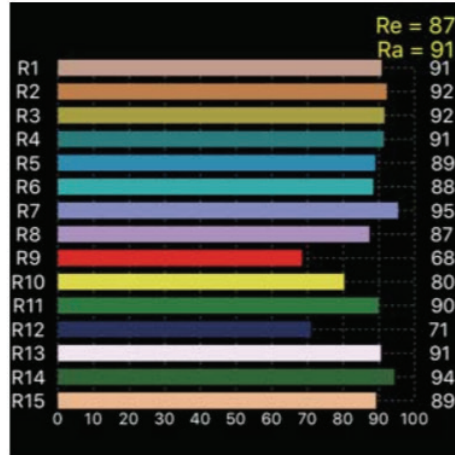


Gallery Wall Wash Luminaire

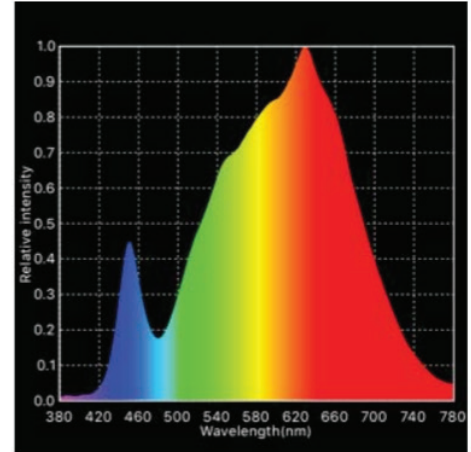
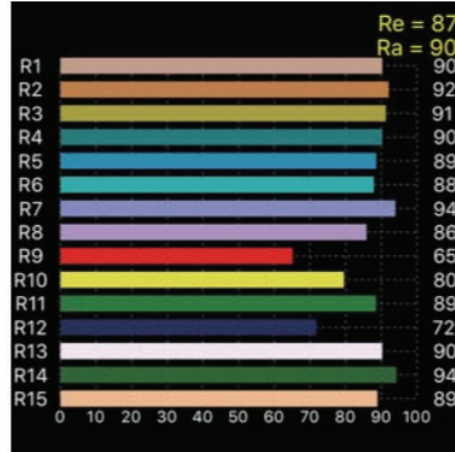
For information of the complete line of Gallery luminaires please visit the Gallery Series product page on our web site at www.altmanlighting.com/product-category/gallery/



GALLERY LED LUMINAIRE PHOTOMETRIC SCORE CARD – 2700K	
CCT	2810
DUV	.0021
CRI	91
CQS	90
RE(R1-15)	87
TLCI Qa)	91.8
TM-30-15 rf	90
TM-30-15 rg	100



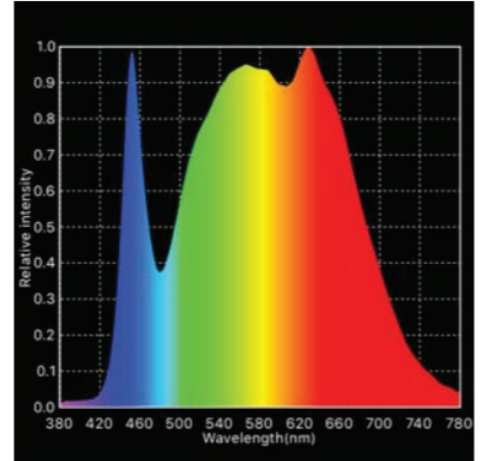
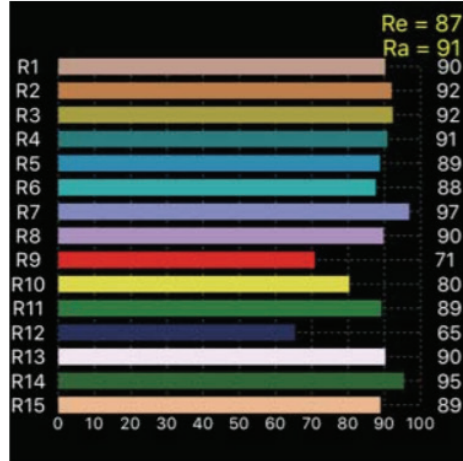
GALLERY LED LUMINAIRE PHOTOMETRIC SCORE CARD – 3000K	
CCT	3010
DUV	.0004
CRI	90
CQS	89
RE(R1-15)	87
TLCI Qa)	89.5
TM-30-15 rf	88
TM-30-15 rg	101



Photometric Performance

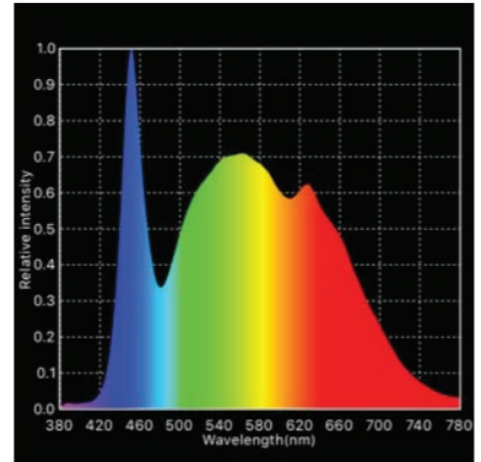
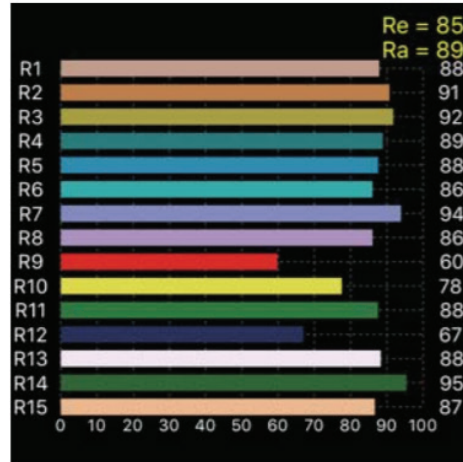
**GALLERY LED LUMINAIRE
PHOTOMETRIC SCORE
CARD – 4000K**

CCT	4063
DUV	.0041
CRI	91
CQS	90
RE(R1-15)	87
TLCI Qa)	94.5
TM-30-15 rf	88
TM-30-15 rg	98



**GALLERY LED LUMINAIRE
PHOTOMETRIC SCORE
CARD – 5000K**

CCT	5021
DUV	.0043
CRI	89
CQS	88
RE(R1-15)	85
TLCI Qa)	91.9
TM-30-15 rf	88
TM-30-15 rg	98



Photometric Performance - Beam Wash 15° to 60° Lens

Spot (10°)

Distance	5'-0"	10'-0"	15'-0"	20'-0"	25'-0"	30'-0"
Diameter	0'-10"	1'-9"	2'-8"	3'-6"	4'-5"	5'-4"
2,700 K	725	182	81	46	29	20
3,000 K	797	199	89	50	32	22
4,000 K	837	210	93	53	34	24
5,000 K	889	223	99	56	36	25

Medium (22°)

Distance	5'-0"	10'-0"	15'-0"	20'-0"	25'-0"	30'-0"
Diameter	1'-7"	3'-2"	4'-9"	6'-4"	8'-0"	9'-7"
2,700 K	559	140	62	35	23	16
3,000 K	614	154	69	39	25	17
4,000 K	645	162	72	40	26	18
5,000 K	685	172	76	43	28	19

Medium-Wide (38°)

Distance	5'-0"	10'-0"	15'-0"	20'-0"	25'-0"	30'-0"
Diameter	3'-4"	6'-8"	10'-1"	13'-5"	16'-9"	20'-2"
2,700 K	161	40	18	10	6	4
3,000 K	176	44	20	11	7	5
4,000 K	185	46	21	12	7.5	5.2
5,000 K	197	50	22	13	8	5.5

Wide (56°)

Distance	5'-0"	10'-0"	15'-0"	20'-0"	25'-0"	30'-0"
Diameter	5'-1"	10'-2"	15'-4"	20'-5"	25'-7"	30'-8"
2,700 K	143	36	16	9	5	4
3,000 K	156	40	18	10	6	4.5
4,000 K	164	41	19	10.5	6.5	4.8
5,000 K	174	44	20	11	7	5

Beam Wash Note: All measurements above are taken at the beam angle, naming degrees above represent the luminaire's field angle.

Photometric Performance - Flood 56° Lens

Fixed (56°)

Distance	5'-0"	10'-0"	15'-0"	20'-0"	25'-0"	30'-0"
Diameter	5'-1"	10'-2"	15'-4"	20'-5"	25'-7"	30'-8"
2,700 K	143	36	16	9	5	4
3,000 K	156	40	18	10	6	4.5
4,000 K	164	41	19	10.5	6.5	4.8
5,000 K	174	44	20	11	7	5

Flood Lens Note: All measurements above are taken at the beam angle, naming degrees above represent the luminaire's field angle at 85° as this is an extremely soft beam similar to that of a fresnel.

All Gallery photometric testing is taken following a full luminaire warm up of over an hour. Photometric performance measurements are taken at the luminaires beam angle, for field angle calculations please consult the Gallery IES files published at www.altmanlighting.com. All measurements are shown in feet/inches and foot-candles. To convert from foot candles (fc) to Lux (lux) multiply fc by 10.76.

Photometric Performance - Wall Wash Lens (Asymmetric 85° Vertical by 80° Horizontal)

Frost Lens (included) Installed on Luminaire

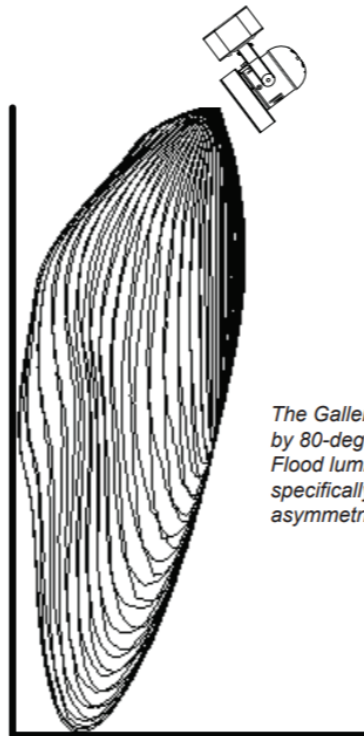
Distance	5'-0"	10'-0"	15'-0"	20'-0"	25'-0"	30'-0"
Diameter	4'-4"	8'-5"	12'-7"	16'-8"	20'-9"	24'-11"
2,700 K	138.26	38.61	21.75	12.18	7.86	5.35
3,000 K	143.64	40.12	22.60	12.66	8.16	5.56
4,000 K	149.47	41.74	23.52	13.17	8.49	5.79
5,000 K	146.78	40.99	23.09	12.93	8.34	5.68

No Lens - Frost Lens Removed

Distance	5'-0"	10'-0"	15'-0"	20'-0"	25'-0"	30'-0"
Diameter	3'-7"	6'-11"	10'-3"	13'-8"	17'-0"	20'-4"
2,700 K	111.70	37.87	22.40	12.55	8.06	5.52
3,000 K	116.05	39.35	23.28	13.04	8.37	5.73
4,000 K	120.76	40.94	24.22	13.57	8.71	5.97
5,000 K	118.59	40.21	23.79	13.33	8.56	5.86

All Gallery photometric testing is taken following a full luminaire warm up of over an hour. Photometric performance measurements are taken at the luminaires beam angle, for field angle calculations please consult the Gallery IES files published at www.altmanlighting.com.

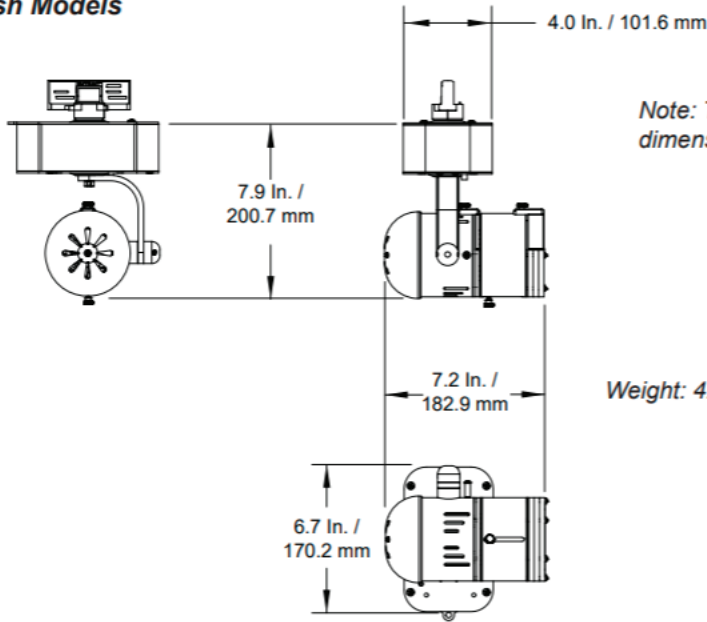
All measurements are shown in feet/inches and foot-candles. To convert from foot candles (fc) to Lux (lux) multiply fc by 10.76.



The Gallery Wall Wash luminaire has an 85-degree by 80-degree beam similar to that of the Gallery Flood luminaire. Except its distribution is through an specifically designed reflector which produces an asymmetric beam pattern.

All Gallery photometric testing is taken following a full luminaire warm up of over an hour. Photometric performance measurements are taken at the luminaires beam angle, for field angle calculations please consult the Gallery IES files published at www.altmanlighting.com. All measurements are shown in feet/inches and foot-candles. To convert from foot candles (fc) to Lux (lux) multiply fc by 10.76.

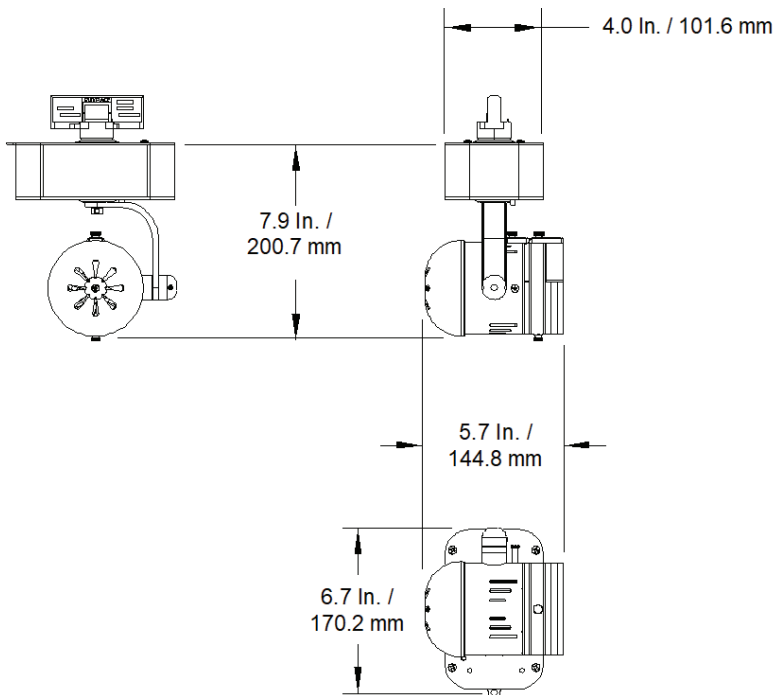
Beam Wash Models



Note: Track model shown. Common dimensions shown for beam wash models.

Weight: 4.0 Lbs. / 1.81 Kg.

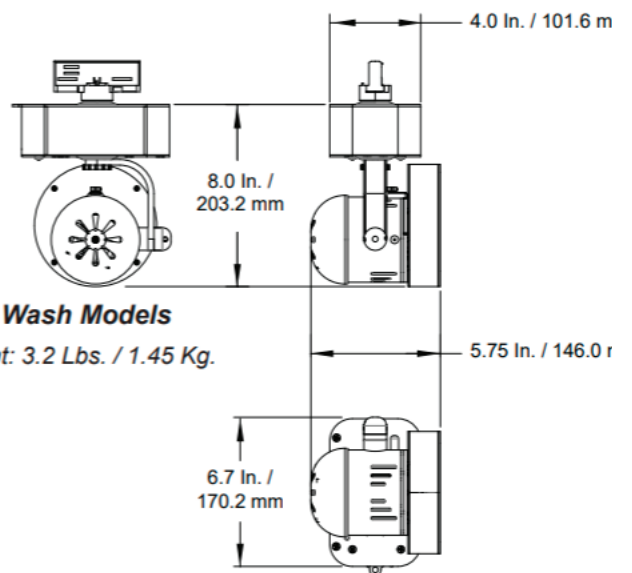
Flood and Wall Wash Models



Note: Track models shown. Common dimension: shown for flood and wall wash models.

Wall Wash Models

Weight: 3.2 Lbs. / 1.45 Kg.



Specifications

Materials: Corrosion-resistant materials and hardware
Control: Mains Dimmable (120VAC only), Local Dim, 0-10V, Dali, and DMX (Fully RDM Compliant)
Light Engine DALI/DMX: 50W - 2700K, 3000K, 4000K, and 5000K
Light Engine MAINS/0-10V: 52W - 2700K, 3000K, 4000K, and 5000K
Lumens/Watt: DALI/DMX Models: 80
 MAINS / 0-10V Models: 76.9
BTUs/Hour: DALI/DMX Models: 170.6
 MAINS / 0-10V Models: 177.32
Current Draw: 0.41A @ 120VAC / 0.20A @ 240VAC
Power Factor: > 0.92 @ Full Load (Mains Dimmable Models)
Cooling: Active Cooling (< 8 dBA @ 0.5 meters)
Environment: 0 to 40 degrees C (32 to 104 degreesF) / 5%-95% Non condensing
Weight: Refer to dimensional drawings in this document
Compliance: cETLus listed, CE marked
Warranty: Five (5) years and One (1) day
Support: Supported Forever - free phone and online tech support for the life of your product.

Input Voltage:

Pendant/Track/Ceiling Models (non-portable)
DMX/DALI/LOCAL/0-10 Control: 100-277VAC 50/60Hz
Mains Dim: 120 VAC 60Hz
Portable Models (including Remote Top Box models)
DMX/DALI/LOCAL/0-10 Control: 100-240VAC 50/60Hz
Mains Dim: 120 VAC 60Hz

Altman Lighting Gallery DMX controlled luminaires are fully compliant RDM E1.20 devices. In order to set a DMX address on a Gallery luminaire, a compliant RDM Addressing device is required (sold separately). Please refer to Altman Lighting Part Number 61-DMXCAT. Prior to leaving the Altman factory, each DMX model of the Gallery luminaire is factory set to a DMX address of 1.

Ceiling and pendant mounted units utilize a 3-1/2-inch (88.9mm) screw spacing for the ceiling mount flange and fit a standard octagonal ceiling box (by others).

DMX and DALI Ceiling and Pendant Mounted units also include part numbers 51-1709451 (Male Terminal Plug) and 51-1709459 (Female Terminal Plug) for DMX/Dali Data connections.

Accessory Notes:

* For these optional accessories, specify color Black (B) or White (W).
 ** GAL2550LT and GAL1535LT require GALGALT (gate assembly). If fitting a GAL2550LT or GAL1535LT to a fixture without a GALGALT, one must be purchased separately.
 *** All portable units use RJ45 connectors for DMX connectivity. For connectivity to any DMX 5 pin system please utilize part numbers RJ45F-DMXF and RJ45F-DMXM

Ordering Information

GAL-(Lens)-(LED)-(Body Color)-(Control)-(Mounting)

Model: GAL (Gallery LED Wash Luminaire)
Lens: FL (Flood), BW (Beam Wash), or WW (asymmetric wall wash) or NL (No Lens)
LED Array: 2K (2700K), 3K (3000K), 4K (4000K) or 5K (5000K)
Body Color: Black (B) or White (W)
Control: D (DMX Control), M (Mains Dimmable)*, 0 (0-10V), L (Local Control) or DA (Dali)
Mounting: TS (Smart Track, 120V - 2 Circuit**), T (Track, refer to available track options on Altman web site)
 C (Ceiling),
 P (Pendant)
 PBC (Portable, supplied with C-Clamp),
 PBU (Portable, supplied with Uni-strut nut and bolt),
 PBRTBC (Portable Remote Top Box with C-Clamp)
 PBRTBU (Portable Remote Top Box with Uni-strut Mount)

Notes:

- * Mains Dimmable models are only available in 120VAC.
- ** For 230V Smart Track applications, use "T" for track mount and contact Altman Lighting Support for Track Mounting options.
- Portable units only available in DMX, Mains Dim, and Local Dim models
- Remote top box units have a 1 meter cable between the luminaire engine and top box.
- When ordering the NL (no lens) model, lenses will need to be ordered separately - see optional accessories below. Gallery fixtures are designed for use with one of the optional lenses below. Gallery fixtures should never be operated without a lens attached.

Optional Accessories

GALFLT* Additional 85° Flood Lens Tube
GALBWL* Additional 15° - 60° Beam Wash Lens Tube
GALWWLT* Additional Asymmetric 85° Vertical by 80° Horizontal Wall Wash Lens
GALGALT* Additional Gate Assembly (required for zoom models)
61-DMXCAT DMXcat for addressing fixtures via RDM (Required for DMX Model)
MSC Mini Safety Cable (one included with fixture)
GALHT* Top Hat (Not for use with Gallery Wall Wash)
GALHTH* Half Top Hat (Not for use with Gallery Wall Wash)
GALBD* Barn Door (Not for use with Gallery Wall Wash)
GALBD-W-B Gallery performance barn door with a white exterior and black interior. (Not for use with Gallery Wall Wash)
GALCF* Gallery Color Frame, 2-15/16-inches (74.6mm)dia
RJ45F-DMXF RJ45 Female to DMX 5 pin Female**
RJ45F-DMXM RJ45 Female to DMX 5 pin Male**
54-VL012405200 Additional molded VLock IEC to Edison 2 meter (6'-6") cable (note one (1) is included with portable units)



Altman Lighting +1 303 500-7072
 1400 East 66th Avenue sales@altmanlighting.com
 Denver, CO 80229 USA support@altmanlighting.com

5 July 2023 © 2023 Altman Stage Lighting, Inc.
 All specifications, descriptions, information, design, etc. contained in this document are subject to change without prior notice. All rights reserved.