

**LB** *Flex*<sup>™</sup>  
**UNPLUGGED**

WIRELESS DMX  
**WICICLE**<sup>®</sup>  
ENABLED



Blizzard Lighting, LLC  
<http://www.blizzardpro.com>  
Waukesha, WI USA  
Copyright (c) 2019

# TABLE OF CONTENTS

LB Hex™ Unplugged	1
<b>1. Getting Started</b>	<b>4</b>
What's In The Box?	4
Getting It Out Of The Box	4
Powering Up!	4
Getting A Hold Of Us	4
Safety Instructions	4
<b>2. Meet The LB Hex™ Unplugged</b>	<b>6</b>
Features	6
DMX Quick Reference	6
The LB Hex™ Unplugged Pin-up Picture	7
<b>3. Setup</b>	<b>8</b>
Fuse Replacement	8
Connecting Other LB Hex™ Unplugged Fixtures	8
Data/DMX Cables	8
Cable Connectors	8
Take It To The Next Level: Setting up DMX Control	9
Fixture Linking (Master/Slave Mode)	9
Mounting/Rigging	9
Using the Intelion™ Battery System	10
Using with wiCICLE® Wireless DMX Receivers	10
<b>4. Operating Adjustments</b>	<b>11</b>
Navigating The Control Panel	11
Control Panel Menu Structure	12
Dimming Curves	12
DMX Channel Mode + Starting Address	13
Master/Slave Mode	13
Manual Color Mixing	13
Color Presets	13
Strobe Effects	13
Built-in Programs/Sound Active Mode	13
Dimming Curve Settings	13
Power Saving/Temperature Control	13
Using the IR Remote Control	14
Power Saving/Temperature Control	15
DMX Channel Values In-Depth	15
Troubleshooting	16
<b>5. Appendix</b>	<b>17</b>
Keeping Your LB Hex™ Unplugged As Good As New	17
Returns (Gasp!)	17
Shipping Issues	17
Tech Specs	18
Dimensional Drawings	19

# LITHIUM-ION BATTERY WARNINGS & INFO

**YOU MUST READ THESE SAFETY INSTRUCTIONS AND WARNINGS BEFORE USING OR CHARGING YOUR FIXTURES.**

**LI-ION BATTERIES ARE VOLATILE. FAILURE TO READ AND FOLLOW THE BELOW INSTRUCTIONS MAY RESULT IN FIRE, PERSONAL INJURY AND DAMAGE TO PROPERTY IF CHARGED OR USED IMPROPERLY. BY PURCHASING AND USING THESE FIXTURES, YOU ASSUME ALL RISKS ASSOCIATED WITH LITHIUM BATTERIES. IF YOU DO NOT AGREE WITH THESE CONDITIONS, PLEASE CONSIDER RETURNING THE FIXTURES**

- 1. WARNING! TO REDUCE THE RISK OF INJURY AND/OR EQUIPMENT DAMAGE, DO NOT TAMPER WITH THE CHARGING CIRCUITRY IN THIS FIXTURE.** The use of other types of chargers may result in personal injury or equipment damage. Under no circumstances attempt to connect the battery pack to any power supplies or other equipment that is not specifically and expressly designated for use with this model battery pack.
- 2. NEVER CHARGE UNATTENDED.** When charging Li-Ion batteries, you must always remain in constant observation in order to react to potential problems which may occur. Failure to do so may result in fire. Put the battery in a fireproof container, and charge in an isolated area, away from flammable materials. Always have a fire extinguisher ready for emergency use.
- 3. USE THE LITHIUM ION BATTERY PACK ONLY WITH EQUIPMENT SPECIFICALLY AND EXPRESSLY DESIGNATED FOR USE WITH THIS MODEL BATTERY PACK.** Use with other equipment may result in fire, electric shock, personal injury, and/or damage to equipment.
- 4. AVOID DANGEROUS CONDITIONS AND ENVIRONMENTS.** Do not charge the battery pack in damp or wet conditions. Avoid using the pack in direct exposure to rain or snow. Do not use the battery pack or charger in the presence of explosive gases or flammable materials.
- 5. AVOID USING OR STORING THE BATTERY PACK IN EITHER EXTREME COLD OR EXTREME HOT TEMPERATURES.** The battery pack will disable itself under conditions of extreme heat (above 60 °C) and may not function to full performance under conditions of extreme cold (below -20 °C). Storage at elevated temperatures (above 25 °C) will shorten the life of the battery pack.
- 6. DO NOT BURN OR INCINERATE BATTERY PACKS.** Battery packs may explode causing personal injury, fire, and/or damage. Fumes resulting from burning of battery packs may be toxic.
- 7. DO NOT DROP, CRUSH, IMPACT, OR MECHANICALLY ABUSE BATTERY PACKS.** Cease use of fixtures that have suffered a sharp impact, been dropped, run over, or damaged in any other way. Such impacts may cause internal damage that is not externally visible and that, over time, may cause short circuits, battery cell leakage, or other events that may lead to fire, personal injury, and or equipment damage.
- 8. DO NOT DISASSEMBLE BATTERY PACK.** There are no user serviceable parts within battery packs. Disassembly may result in short circuiting or other damage that may cause fire, personal injury, and/or other damage.
- 9. AVOID CONTACT WITH BATTERY CHEMICALS.** If a battery pack leaks battery chemicals, avoid any contact with skin, eyes, or mouth. In the event of contact with skin, wash immediately with soap and water and rinse with vinegar. For eye contact, begin flushing with clean water, immediately call for medical help, and continue flushing for 20 minutes or until medical help arrives.
- 10. STORE IN A COOL, DRY PLACE.** Avoid leaving the fixture in direct sunlight, vehicle cabs, compartments, or unventilated storage buildings during hot summer conditions. Under extreme temperature conditions damage may occur. Elevated temperatures in general shorten the life of your battery pack.

# 1. GETTING STARTED

## What's In The Box?

- 1 x LB Hex™ Unplugged LED Fixture
- 1 x Power Cord
- This User Manual

## Getting It Out Of The Box

Congratulations on getting the LB Hex™ Unplugged, the optimum solution for getting rid of all those messy cables is finally here. Whew! Now that you've got your LB Hex™ Unplugged (or hopefully, Unpluggeds!), you should carefully unpack the box and check the contents to ensure that all parts are present and in good condition. If anything looks as if it has been damaged in transit, notify the shipper immediately and keep the packing material for inspection. Again, please save the carton and all packing materials. If a fixture must be returned to the factory, it is important that the fixture be returned in the original factory box and packing.

## Powering Up!

All fixtures must be powered directly off a switched circuit and **cannot be run off a rheostat (variable resistor) or dimmer circuit, even if the rheostat or dimmer channel is used solely for a 0% to 100% switch.**

*AC Voltage Switch* - Not all fixtures have a voltage select switch, so please verify that the fixture you receive is suitable for your local power supply. See the label on the fixture or refer to the fixture's specifications chart for more information. A fixture's listed current rating is its average current draw under normal conditions. Check the fixture or device carefully to make sure that if a voltage selection switch exists that it is set to the correct line voltage you will use.

**Warning! Verify that the voltage select switch on your unit matches the line voltage applied. Damage to your fixture may result if the line voltage applied does not match the voltage indicated on the voltage selector switch. All fixtures must be connected to circuits with a suitable Ground (Earthing).**

## Getting A Hold Of Us

**If something happens goes wrong, please visit [www.blizzardpro.com](http://www.blizzardpro.com) / support and open a support ticket. We'll be happy to help, honest.**

**Disclaimer:** The information and specifications contained in this document are subject to change without notice. Blizzard Lighting™ assumes no responsibility or liability for any errors or omissions that may appear in this user manual. Blizzard Lighting™ reserves the right to update the existing document or to create a new document to correct any errors or omissions at any time. You can download the latest version of this document from [www.blizzardpro.com](http://www.blizzardpro.com).

Author:	Date:	Last Edited:	Date:
J. Thomas	5/23/2018	J. Thomas	6/18/2019

# SAFETY INSTRUCTIONS



Please read these instructions carefully. They include important information about the installation, usage and maintenance of this product.

- Please keep this User Guide for future use. If you sell the unit to someone else, be sure that they also receive this User Guide.
- ALWAYS make sure that you are connecting to the proper voltage, and that the line voltage you are connecting to is not higher than that stated on the decal or rear panel of the fixture.
- This product is intended for indoor use only.
- To prevent risk of fire or shock, do not expose fixture to rain or moisture.
- Make sure there are no flammable materials close to the unit while operating.
- The unit must be installed in a location with adequate ventilation, at least 20in (50cm) from adjacent surfaces. Be sure that no ventilation slots are blocked.
- ALWAYS disconnect from the power source before servicing or replacing fuse and be sure to replace with same fuse size and type.
- ALWAYS secure fixture using a safety chain. NEVER carry the fixture by its head. Use its carrying handles.
- DO NOT operate at ambient temperatures higher than 104°F (40°C).
- In the event of a serious operating problem, stop using the unit immediately. NEVER try to repair the unit by yourself. Repairs carried out by unskilled people can lead to damage or malfunction. Please contact the nearest authorized technical assistance center. Always use the same type spare parts.
- NEVER connect the device to a dimmer pack.
- Make sure the power cord is never crimped or damaged.
- Never disconnect the power cord by pulling or tugging on the cord.
- Avoid direct eye exposure to the light source while it is on.

**Caution!** There are no user serviceable parts inside the unit. Do not open the housing or attempt any repairs yourself. In the unlikely event your unit may require service, please open a support ticket at [www.blizzardpro.com/support](http://www.blizzardpro.com/support).

# 2. MEET THE LB HEX™ UNPLUGGED

## MAIN FEATURES

- 6\* high output 6W RGBAW+UV 6-in-1 LEDs
- Intelion™ lithium-ion battery system
- Real time battery monitor & power saving mode
- Wireless IR remote control
- Variable electronic dimming
- 25-degree beam angle
- Flicker-free constant-current LED driver
- Strobe (1-20Hz), 5 different effects
- Color presets, auto, & sound active programs
- User selectable 32-bit dimming curves
- 4-button LED control panel for easy programming
- Convection cooled housing, totally silent operation
- Dual bracket for flexibility in mounting
- 3-pin male/female XLR input & output
- PowerCon™ compatible AC power In/Out connectors
- wiCICLE® enabled

### DMX Quick Reference (8-Channel Mode)

Channel	What It Does
1	Dimmer (0% <-> 100%)
2	Red Intensity (0% <-> 100%)
3	Green Intensity (0% <-> 100%)
4	Blue Intensity (0% <-> 100%)
5	Amber Intensity (0% <-> 100%)
6	UV Intensity (0% <-> 100%)
7	White Intensity (0% <-> 100%)
8	Strobe Effects

### DMX Quick Reference (13-Channel Mode)

Channel	What It Does
1	Dimmer (0% <-> 100%)
2	Red Intensity (0% <-> 100%)
3	Green Intensity (0% <-> 100%)
4	Blue Intensity (0% <-> 100%)
5	Amber Intensity (0% <-> 100%)
6	UV Intensity (0% <-> 100%)
7	White Intensity (0% <-> 100%)
8	Strobe Effects
9	Color Macros
10	Color Presets
11	Auto & Sound Active
12	Auto Speed
13	32-bit Dimming Curves

**Figure 1: The LB Hex™ Unplugged Pin-Up Picture**



**Figure 2: The Rear Connections**



### 3. SETUP



Before replacing a fuse, disconnect the power cord.  
ALWAYS replace with the same type and rating of fuse.

#### Fuse Replacement

LB Hex™ Unplugged utilizes a high-output switch-mode power supply with an internal fuse. Under normal operating conditions, it should not require replacement. Should the fuse require replacement, please contact us for instructions, or to return your unit for service.

#### Connecting A Bunch of LB Hex™ Unplugged Fixtures

You will need a serial data link to run light shows using a DMX-512 controller or to run shows on two or more fixtures set to sync in master/slave operating mode. The combined number of channels required by all the fixtures on a serial data link determines the number of fixtures the data link can support.

Fixtures on a serial data link must be daisy chained in one single line. Also, connecting more than 32 fixtures on one serial data link without the use of a DMX optically-isolated splitter may result in deterioration of the digital DMX signal. The maximum recommended cable-run distance is 500 meters (1640 ft). The maximum recommended number of fixtures on a serial data link is 32 fixtures.

#### Data/DMX Cabling

To link fixtures together you'll need data cables. You should use data-grade cables that can carry a high quality signal and are less prone to electromagnetic interference. For instance, Belden© 9841 meets the specifications for EIA RS-485 applications. Standard microphone cables will "probably" be OK, but note that they cannot transmit DMX data as reliably over long distances.

#### 3-Pin??? 5-Pin??? Huh?!?

If you use a controller with a 5-pin DMX output connector, you will need to use a 5-pin to 3-pin adapter. If you'd like to build your own, the chart below details a proper cable conversion:

Conductor	3-Pin Female (Output)	5-Pin Male (Input)
Ground/Shield	Pin 1	Pin 1
Data 1- (Primary Data Link)	Pin 2	Pin 2
Data 1+ (Primary Data Link)	Pin 3	Pin 3
Data 2- (Optional Secondary Data Link)	Pin 4	Pin 4
Data 2+ (Optional Secondary Data Link)	Pin 5	Pin 5



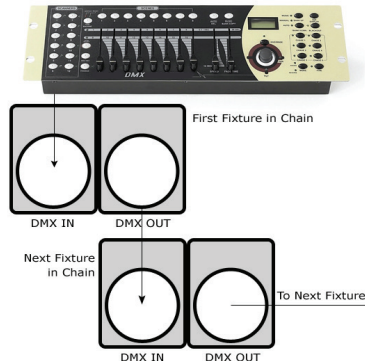
**CAUTION:** Do not allow contact between the common and the fixture's chassis ground. Grounding the common can cause a ground loop, and your fixture may perform erratically. Test cables with an ohm meter to verify correct polarity and to make sure the pins are not grounded or shorted to the shield or each other.

### Take It To The Next Level: Setting Up DMX Control

**Step 1:** Connect the male connector of the DMX cable to the female connector (output) on the controller.

**Step 2:** Connect the female connector of the DMX cable to the first fixture's male connector (input). *Note:* It doesn't matter which fixture address is the first one connected. We recommend connecting the fixtures in terms of their proximity to the controller, rather than connecting the lowest fixture number first, and so on.

**Step 3:** Connect other fixtures in the chain from output to input as above. Place a DMX terminator on the output of the final fixture to ensure best communication.



### Fixture Linking (Master/Slave Mode)

1. Connect the (male) 3-pin connector side of the DMX cable to the output (female) 3-pin connector of the first fixture.
2. Connect the end of the cable coming from the first fixture which will have a (female) 3-pin connector to the input connector of the next fixture consisting of a (male) 3-pin connector. Then, proceed to connect from the output as stated above to the input of the following fixture and so on.

### Mounting & Rigging

- This fixture may be mounted in any SAFE position provided there is enough room for ventilation.
- Mount the fixture using a suitable "C" or "O" type clamp. The clamp should be rated to hold at least 10x the fixture's weight to ensure structural stability. Do not mount to surfaces with unknown strength, and ensure properly "rated" rigging is used when mounting fixtures overhead.
- Adjust the angle of the fixture by loosening both knobs and tilting the fixture. After finding the desired position, retighten both knobs.
- Safety cables MUST ALWAYS be used.
- Never mount in places where the fixture will be exposed to rain, high humidity, extreme temperature changes or restricted ventilation.

## Using the Intelion™ Battery System

To charge the battery, simply plug the fixture into a power source. The battery charges when the fixture is on or off. The built-in microprocessor of the battery system controls the charge and overall battery health, so just plug and play.

To display the power remaining in the battery, **press and hold the <MENU> button for 5 seconds.**

A full charge is obtained after charging for at least 3 1/2 hours. The fixture will automatically stop charging when the battery is in optimal condition.



### Power Saving Mode:

- a.) Navigate the menu to reach **TL--**, and press **<ENTER>**.
- b.) Use the **<UP/DOWN>** buttons to select **TL1 (50%), or TL2 (100%)**.
- c.) Press **<ENTER>** to confirm the setting.

Note: With average usage of color fades in *Full Power Mode*, you can expect the battery life to last up to 15+ hours, or full on for 4+ hrs. Display color/fade/chase/strobe, and environmental factors including ambient temperature will all impact battery life.

## Using with wiCICLE® Wireless DMX Receivers

In addition to the unbridled thrill you already received the first time you powered up your fixture, you'll be delighted to know that this unit also works seamlessly with our wiCICLE® Skywire receiver and wiCICLE® AnyFi wireless DMX receiver products **without need to supply external power to the receiver.** Power is directly given to the receiver via the DMX input connection.



- ONLY fixtures bearing this logo are certified for use with the wiCICLE® without external power.
- Unauthorized modification and/or using the wiCICLE® with unapproved fixtures may cause damage to the wiCICLE® or fixture. UNDER NO CIRCUMSTANCES IS BLIZZARD LIGHTING RESPONSIBLE FOR ANY DAMAGE FROM SUCH OPERATION.
- Fixtures bearing the above logo **MUST** only use cable and connectors which separate chassis/case ground from cable shielding. Cabling with the shield connected to the connector's case/chassis may cause malfunction and damage to the wiCICLE® or fixture.
- wiCICLE® transmitters have additional power requirements and cannot be powered directly from the fixture.
- Please refer to the instruction manual that came with your wiCICLE® receiver and/or transmitter for detailed setup instructions.

## 4. OPERATING ADJUSTMENTS

### The Control Panel

All the features and different modes possible with the LB Hex™ Unplugged are accessed by using the control panel on the rear of the fixture. There are 4 control buttons below the LED display which allow you to navigate through the various control panel menus.

#### <MENU>

Is used to navigate to the previous higher-level menu item.

#### <UP>

Scrolls through menu items and numbers in ascending order.

#### <DOWN>

Scrolls through menu items and numbers in descending order.

#### <ENTER>

Is used to select and confirm/store the current selection.



**MENU    UP    DOWN    ENTER**

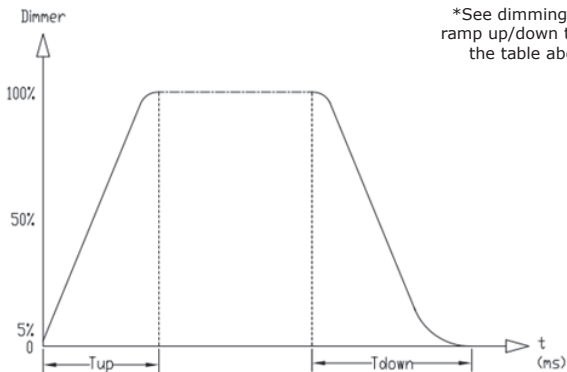
The control panel display shows the menu items you select from the menu map on page #12. When a menu function is selected, the display will show immediately the first available option for the selected menu function. To select a menu item, press **<ENTER>**.

Use the **<UP>** and **<DOWN>** buttons to navigate the menu options. Press the **<ENTER>** button to select the menu function currently displayed, or to enable a menu option. To return to the previous option or menu without changing the value, press the **<MENU>** button.

## Control Panel Menu Structure

<b>d13--</b>	000 - 512	13-channel DMX mode				
<b>d.8--</b>	000 - 512	8-channel DMX mode				
<b>r---</b>	000 - 255	Red intensity (0% <--> 100%)				
<b>g---</b>	000 - 255	Green intensity (0% <--> 100%)				
<b>b---</b>	000 - 255	Blue intensity (0% <--> 100%)				
<b>A---</b>	000 - 255	Amber intensity (0% <--> 100%)				
<b>P---</b>	000 - 255	UV intensity (0% <--> 100%)				
<b>n---</b>	000 - 255	White intensity (0% <--> 100%)				
<b>pr--</b>	Color Presets 01-25	01. Red	02. Green	03. Blue		
		04. Lime	05. Yellow Green	06. Yellow		
		07. Congo Red	08. Light Orange	09. Wine Red		
		10. Pink	11. Purple	12. Light Purple		
		13. Pink Blue	14. Light Blue	15. Sky Blue		
		16. Light Cyan	17. Cyan Green	18. Water Green		
		19. Light Green	20. Cold White	21. Light Cold White		
		22. Pure White	23. Purple White	24. Cream White		
		25. Warm White				
		<b>F---</b>	000 - 255	Strobe effects (slow <--> fast)		
		<b>C---</b>	000 - 255	7-color fade (slow <--> fast)		
		<b>J---</b>	000 - 255	7-color jump (slow <--> fast)		
<b>S---</b>	000 - 255	Sound = increase/decrease microphone sensitivity level				
<b>IR--</b>	on/of	IRon = IR remote is on, IRof = IR remote control is off				
<b>dr--</b>	dr-0	Standard dimming				
	dr-1	Dimming curve 1, Tup 980 ms, Tdown 1010 ms				
	dr-2	Dimming curve 2, Tup 1210 ms, Tdown 1320 ms				
	dr-3	Dimming curve 3, Tup 1600 ms, Tdown 1710 ms				
	dr-4	Dimming curve 4, Tup 1850 ms, Tdown 1980 ms				
<b>TL--</b>	TL-0	Auto temperature control (reduces to 50% power at 75°C)				
	TL-1	Half power				
	TL-2	Full power				

## Dimming Curves



### **DMX Channel Mode + Starting Address:**

- 1.) Navigate the main menu until you reach either **d13--** (13ch mode), or **d.8--** 8ch mode, and press **<ENTER>**.
- 2.) Use the **<UP/DOWN>** buttons to select a starting DMX address ranging from 1-512, and press the **<ENTER>** button to confirm.

### **Master/Slave Mode:**

- 1.) Daisy chain fixtures DMX input/output connections.
- 2.) Set the DMX channel mode on fixtures to match either **d.13** or **d.8**.
- 3.) The first fixture in the DMX chain is the master fixture, and the following fixtures will follow the master.

### **Manual Color Mixing:**

- 1.) Navigate the top level of the menu to reach either **r---** (red), **g---** (green), **b---** (blue), **A---** (amber), **P---** (UV), or **n---** (white), and then press the **<ENTER>** button.
- 2.) Use the **<UP/DOWN>** buttons to adjust intensity level anywhere from **000-255** (0% <--> 100%), and press **<ENTER>**.

### **Color Presets:**

- 1.) Navigate the main menu until you reach **pr--**, and press **<ENTER>**.
- 2.) Then use the **<UP/DOWN>** buttons to select a value ranging from **1-25** (see p. 12), and press **<ENTER>**.

### **Strobe Effects:**

- 1.) Navigate the main menu until you reach **F---**, and press **<ENTER>**.
- 2.) Then use the **<UP/DOWN>** buttons to select a strobe speed setting from **0-255** (slow <--> fast), and press **<ENTER>**.

### **Built-in Programs/Sound Active Mode:**

- 1.) Navigate the main menu until you reach **C---** (7-color fade), **J---** (7-color jump), or **S---** (sound active) and press **<ENTER>**.
- 2.) Then use the **<UP/DOWN>** buttons to select a speed setting from **0-255** (slow <--> fast), and press **<ENTER>**.

### **Dimming Curve Settings:**

- 1.) Navigate the main menu until you reach **dr--**, and press **<ENTER>**.
- 2.) Highlight **dr-0** to **dr-04**, and press **<ENTER>** to confirm.

### **Power Saving/Temperature Control:**

- 1.) Navigate the main menu until you reach **TL--**, and press **<ENTER>**.
- 2.) Use the **<UP/DOWN>** buttons to highlight **TL-0** to **TL-02**.
- 3.) **TL-0** automatically reduces the LED output to 50% when the internal temperature reaches 75°C, **TL-1** is constant half power, and **TL-2** is constant full power. Press **<ENTER>** to confirm your choice.
- 4.) Press and hold **<ENTER>** for 5s to display the current temperature.

## Using the IR Remote Control

The IR-3 remote control will allow you to transition through dozens of color and brightness combinations, access automated color jump and fade programs, add variable speed white strobe effects, and access sound active mode with mic sensitivity adjustments.

First, in the fixture(s) control panel menu, navigate to **IR--**, and set it to "on" (**IRon**).

\*Before operating the remote, be sure to remove the plastic tab in the battery compartment. Then, point the remote control directly towards the fixture (the sensor is on the front face), and note the best performance distance is within 5-meters (16.4 ft).

### Button Configuration:

Up	Down	Off	On
Red	Green	Blue	White
Amber	LT. Green	LT. Blue	Strobe
Orange	Mint	UV	Jump
Almond	Aqua	Purple	Fade
Yellow	Cyan	Magenta	Sound



### <UP>

Used to increase the value of the current setting.

### <DOWN>

Used to decrease the value of the current setting.

### <OFF>

- 1.) Turns the LEDs off.
- 2.) When off, the **<UP/DOWN>** buttons will change the DMX channel (**d001-d512**).

### <ON>

- 1.) Turns the LEDs on.
- 2.) When on, the **<UP/DOWN>** buttons will:
  - a.) Static colors = increase/decrease brightness
  - b.) Strobe = increase/decrease speed
  - c.) Jump = increase/decrease speed
  - d.) Fade = increase/decrease speed
  - e.) Sound = increase/decrease microphone sensitivity level

### <STROBE>

Press for white strobe effects. Use the **<UP/DOWN>** buttons to adjust the speed.

### <JUMP>

Press for auto color jump effects. Use the **<UP/DOWN>** buttons to adjust the speed.

### <FADE>

Press for auto color fade effects. Use the **<UP/DOWN>** buttons to adjust the speed.

### <SOUND>

Press for sound active mode. Use the **<UP/DOWN>** buttons to adjust the mic sensitivity.

## DMX Values In-Depth (13-Channel Mode)

CH	Value	What It Does		
1	000 <--> 255	Dimmer (0% <--> 100%)		
2	000 <--> 255	Red Intensity (0% <--> 100%)		
3	000 <--> 255	Green Intensity (0% <--> 100%)		
4	000 <--> 255	Blue Intensity (0% <--> 100%)		
5	000 <--> 255	Amber Intensity (0% <--> 100%)		
6	000 <--> 255	UV Intensity (0% <--> 100%)		
7	000 <--> 255	White Intensity (0% <--> 100%)		
8	000 <--> 005 006 <--> 055 056 <--> 105 106 <--> 155 156 <--> 205 206 <--> 255	<b>Strobe</b> No Function Random Strobe Pulse Strobe Average Strobe Thunder Strobe Standard Strobe		
9	000 <--> 001 002 <--> 043 044 <--> 085 086 <--> 127 128 <--> 169 170 <--> 211 212 <--> 254 255	<b>Color Macros</b> No Function Red Fade In Red Fade Out <--> Green Fade In Green Fade Out <--> Blue Fade In Red Fade In <--> Blue Red <--> Green Fade In <--> Blue White Fade In White (RGBW)		
10	000 <--> 005 006 <--> 015 016 <--> 025 026 <--> 035 036 <--> 045 046 <--> 055 056 <--> 065 066 <--> 075 076 <--> 085 086 <--> 095 096 <--> 105 106 <--> 115 116 <--> 125	<b>Color Presets</b> No Function Red Green Blue Lime Green Yellow Green Yellow Congo Red Light Orange Wine Red Pink Pink Purple Light Purple	126 <--> 135 136 <--> 145 146 <--> 155 156 <--> 165 166 <--> 175 176 <--> 185 186 <--> 195 196 <--> 205 206 <--> 215 216 <--> 225 226 <--> 235 236 <--> 245 246 <--> 255	Pink Blue Light Blue Sky Blue Light Cyan Cyan Green Water Green Light Green Cold White Lt. Cold White Pure White Purple White Cream White Warm White
11	000 <--> 010 011 <--> 040 041 <--> 070 071 <--> 100 101 <--> 130 131 <--> 160 161 <--> 190 191 <--> 220 221 <--> 255	<b>Auto/Sound Active</b> No Function 7-color Fade R/G/B Fade R/G/B Fade 2 (low temp) 7-color Jump R/G/B Jump Yellow/Cyan/Magenta Jump Sound Active Strobe Sound Active Jump		

### DMX Values In-Depth (13-Channel Mode), continued

CH	Value	What It Does
12	000 <--> 255	Auto Speed (slow <--> fast)
13	000 <--> 020	<b>Dimming Curves</b> Standard Curve
	021 <--> 040	Dimming Curve 1
	041 <--> 060	Dimming Curve 2
	061 <--> 080	Dimming Curve 3
	081 <--> 100	Dimming Curve 4
	101 <--> 255	No Function

### DMX Values In-Depth (8-Channel Mode)

CH	Value	What It Does
1	000 <--> 255	Dimmer (0% <--> 100%)
2	000 <--> 255	Red Intensity (0% <-> 100%)
3	000 <--> 255	Green Intensity (0% <-> 100%)
4	000 <--> 255	Blue Intensity (0% <-> 100%)
5	000 <--> 255	Amber Intensity (0% <-> 100%)
6	000 <--> 255	UV Intensity (0% <-> 100%)
7	000 <--> 255	White Intensity (0% <-> 100%)
8	000 <--> 005	<b>Strobe</b> No Function
	006 <--> 055	Random Strobe
	056 <--> 105	Pulse Strobe
	106 <--> 155	Average Strobe
	156 <--> 205	Thunder Strobe
	206 <--> 255	Standard Strobe

### Troubleshooting

Symptom	Solution
Beam is Dim	Check optical system and clean excess dust/grime.
No Light Output	Is the fixture is operating under correct mode?
Chase Speed Fast/Slow	Check to ensure proper setup of speed adjustment.
No Power	Check fuse, AC cord and circuit for malfunction.
Blown Fuse	Check AC cord and circuit for damage, verify that moving parts are not restricted and that unit's ventilation is not obstructed.
Fixture Not Responding/Responding Erratically	Make sure all connectors are seated securely. Use only DMX cables or check cables for defects. Install a Terminator. Reset fixture(s).

**If your problem persists or isn't listed, please open a support ticket online at: [www.blizzardpro.com/support](http://www.blizzardpro.com/support).**



# 5. APPENDIX

## Keeping Your LB Hex™ Unplugged As Good As New

The fixture you've received is a rugged, tough piece of pro lighting equipment, and as long as you take care of it, it will take care of you. That said, like anything, you'll need to take care of it if you want it to operate as designed. You should absolutely keep the fixture clean, especially if you are using it in an environment with a lot of dust, fog, haze, wild animals, wild teenagers or spilled drinks.

Cleaning the optics routinely with a suitable glass cleaner will greatly improve the quality of light output. Keeping the fans free of dust and debris will keep the fixture running cool and prevent damage from overheating.

In transit, keep the fixtures in cases. You wouldn't throw a prized guitar, drumset, or other piece of expensive gear into a gear trailer without a case, and similarly, you shouldn't even think about doing it with your shiny new fixtures.

Common sense and taking care of your fixtures will be the single biggest thing you can do to keep them running at peak performance and let you worry about designing a great light show, putting on a great concert, or maximizing your client's satisfaction and "wow factor." That's what it's all about, after all!

## Returns (Gasp!)

We've taken a lot of precautions to make sure you never even have to worry about sending a defective unit back, or sending a unit in for service. But, like any complex piece of equipment designed and built by humans, once in a while, something doesn't go as planned. If you find yourself with a fixture that isn't behaving like a good little fixture should, you'll need to obtain a Return Authorization (RA).

Don't worry, this is easy. Just go to our website and open a support ticket at [www.blizzardpro.com/support](http://www.blizzardpro.com/support), and we'll issue you an RA. Then, you'll need to send the unit to us using a trackable, pre-paid freight method. We suggest using USPS Priority or UPS. Make sure you carefully pack the fixture for transit, and whenever possible, use the original box & packing for shipping.

When returning your fixture for service, be sure to include the following:

- 1.) Your contact information (Name, Address, Phone Number, Email address).
- 2.) The RA# issued to you
- 3.) A brief description of the problem/symptoms.

We will, at our discretion, repair or replace the fixture. Please remember that any shipping damage which occurs in transit to us is the customer's responsibility, so pack it well!

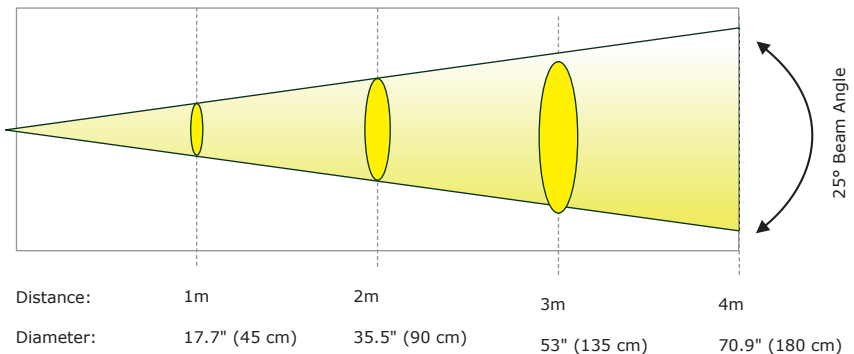
## Shipping Issues

**Damage incurred in shipping is the responsibility of the shipper, and must be reported to the carrier immediately upon receipt of the items. Claims must be made within seven (7) days of receipt.**

## Tech Specs!

<b>Weight &amp; Dimensions</b>	
Width	5.6 in (14.1 cm)
Depth	7 in (17.7 cm)
Height	8.3 in (21.1 cm)
Weight	4.9 lb (2.2 kg)
<b>Power</b>	
Operating Voltage	110-240VAC, 50-60 Hertz
Power Consumption	21W, .24A, PF: .66
<b>Light Source</b>	
LED	6* 6W RGBAW+UV 6-in-1 LEDs
<b>Optical</b>	
Beam Angle	25-degree beam
<b>Battery</b>	
Capacity	4.4Ah
Maximum Run Time	All on: up to 4 hours, single color: up to 15 hours
Recharge Time	3.5 hours
<b>Thermal</b>	
Max. Operating Temp.	104 degrees F (40 degrees C) ambient
<b>Control</b>	
Protocol	USITT DMX-512
DMX Channels	8/13-channel
Input/Output	3-pin XLR Male/Female
Other Operating Modes	DMX512, M/S, Standalone, Auto, Sound Active
<b>Warranty</b>	2-year limited warranty, does not cover malfunction caused by damage to LEDs.

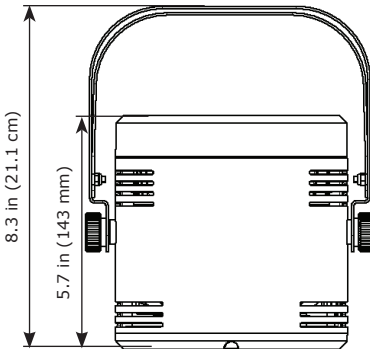
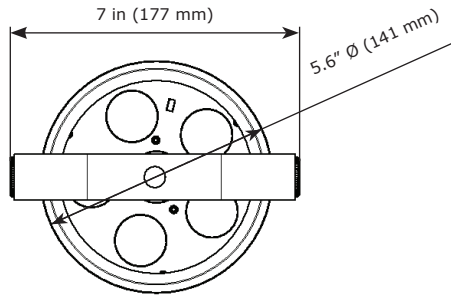
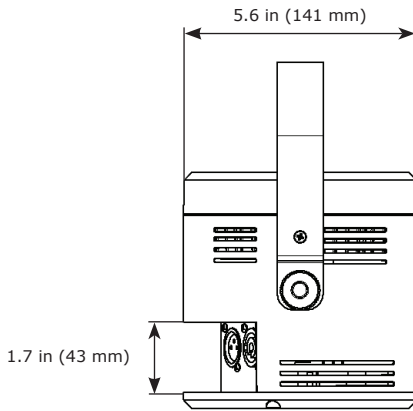
## Photometric Data



Luminous Intensity:

Beam	1-meter		2-meter		3-meter		4-meter	
	Lux	fc	Lux	fc	Lux	fc	Lux	fc
25°	4,319	401.2	883	82.1	488	45.4	242	22.5

# Dimensional Drawings





**Enjoy your product!  
Our sincerest thanks for your purchase!  
--The team @ Blizzard Lighting**