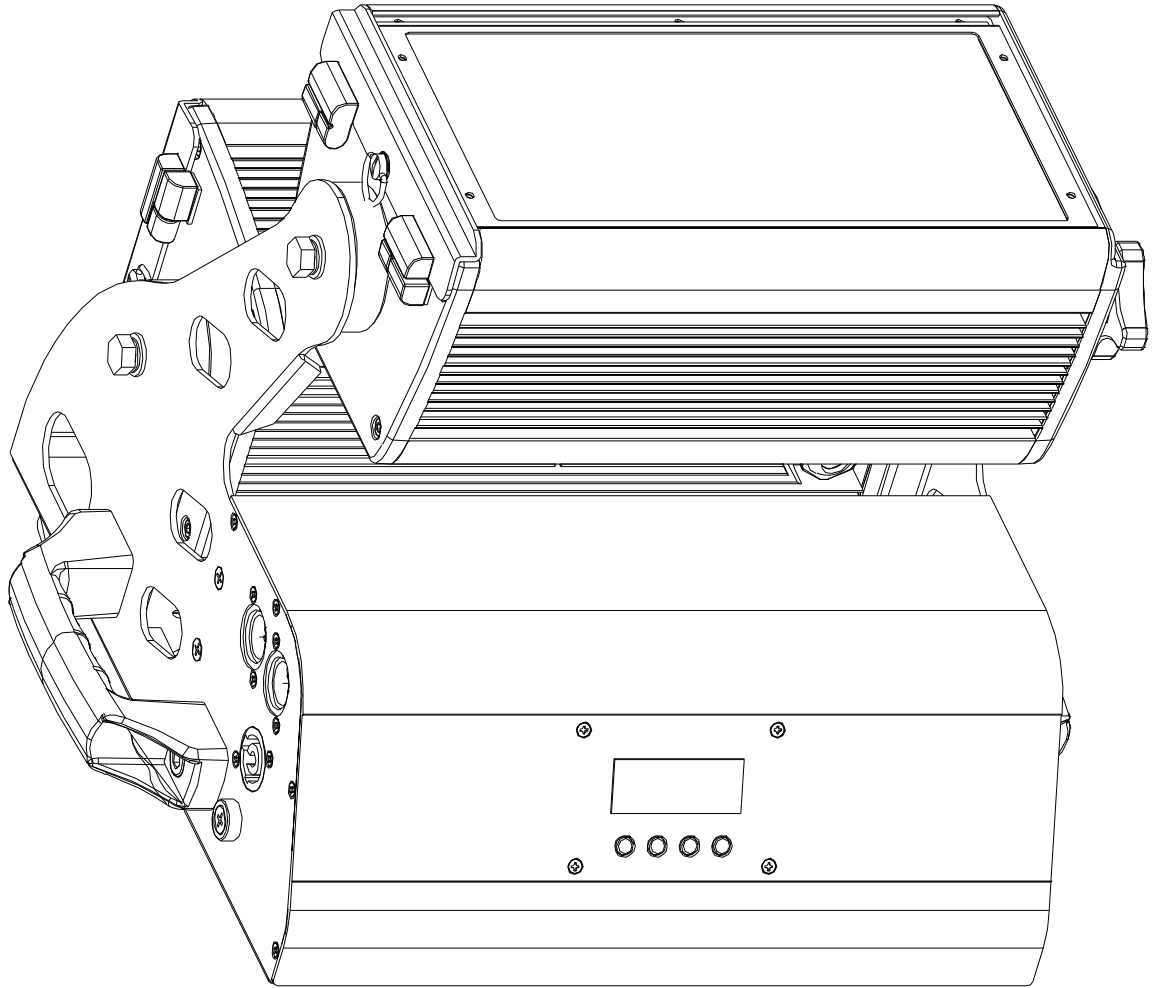


Ovation

C-805FC

User Manual




CHAUVET
PROFESSIONAL

Edition Notes

The Ovation C-805FC User Manual includes a description, safety precautions, installation, programming, operation and maintenance instructions for the Ovation C-805FC as of the release date of this edition.

Trademarks

CHAUVET, the Chauvet logo and Ovation C-805FC are registered trademarks or trademarks of Chauvet & Sons, LLC (d/b/a Chauvet and Chauvet Lighting) in the United States and other countries. Other company and product names and logos referred to herein may be trademarks of their respective companies.

Copyright Notice

The works of authorship contained in this manual, including, but not limited to, all design, text and images are owned by Chauvet.

© Copyright 2019 Chauvet & Sons, LLC. All rights reserved.

Electronically published by Chauvet in the United States of America.

Manual Use

Chauvet authorizes its customers to download and print this manual for professional information purposes only. Chauvet expressly prohibits the usage, copy, storage, distribution, modification, or printing of this manual or its content for any other purpose without written consent from Chauvet.

Document Printing

For best results, print this document in color, on letter size paper (8.5 x 11 in), double-sided. If using A4 paper (210 x 297 mm), configure the printer to scale the content accordingly.

Intended Audience

Any person installing, operating, and/or maintaining this product should completely read through the guide that shipped with the product, as well as this manual, before installing, operating, or maintaining this product.

Disclaimer

Chauvet believes that the information contained in this manual is accurate in all respects. However, Chauvet assumes no responsibility and specifically disclaims any and all liability to any party for any loss, damage or disruption caused by any errors or omissions in this document, whether such errors or omissions result from negligence, accident or any other cause. Chauvet reserves the right to revise the content of this document without any obligation to notify any person or company of such revision, however, Chauvet has no obligation to make, and does not commit to make, any such revisions. Download the latest version from www.chauvetprofessional.com.

FCC Compliance

This device complies with Part 15 Part B of the FCC Rules. Operation is subject to the following two conditions:

1. This device may not cause harmful interference, and
2. This device must accept any interference received, including interference that may cause undesired operation.

Any changes or modifications not expressly approved by the party responsible for compliance could void the user's authority to operate the equipment.

Document Revision

This Ovation C-805FC User Manual is the 6th edition of this document. Go to www.chauvetprofessional.com for the latest version.

TABLE OF CONTENTS

1. Before You Begin	1
What Is Included	1
Claims	1
Manual Conventions	1
Symbols	1
Safety Notes.....	2
Personal Safety.....	2
Mounting and Rigging	2
Power and Wiring.....	2
Operation	2
Expected LED Lifespan.....	2
2. Introduction	3
Description	3
Features.....	3
Product Overview.....	3
Product Dimensions.....	4
3. Setup	5
AC Power.....	5
AC Plug.....	5
Power Linking.....	5
DMX Linking.....	6
DMX Personalities.....	6
Master/Slave Connectivity.....	6
Remote Device Management (RDM).....	6
Mounting	7
Orientation.....	7
Rigging.....	7
Procedure.....	7
4. Operation	8
Control Panel Operation.....	8
Control Options	8
Programming.....	8
Menu Map	8
Configuration (DMX)	11
DMX Personalities.....	11
DMX Control.....	11
2-Cell DMX Values.....	12
Ovation C-805FC Sections for DMX Cell Control	12
RGBAL Full 31CH.....	12
RGBAL Fine 20CH.....	13
RGBAL EXT 19CH.....	13
RGBA EXT 17CH.....	14
RGB EXT 15CH	14
RGBAL 10CH.....	15
RGBA 8CH.....	15
RGB 6CH	15
1-Cell DMX Values.....	16
RGBAL FULL 17CH.....	16
RGBAL Fine 10CH.....	16
RGBAL EXT 10CH.....	17
RGBA EXT 9CH.....	17

RGB EXT 8CH	17
RGBAL 5CH.....	18
RGBA 4CH.....	18
RGB 3CH	18
DMX-VCW-CCT 3CH.....	18
Virtual Color Wheel	19
Virtual Color Wheel Chart	19
Color Temperature Chart	20
Configuration (Standalone)	20
Auto Programs	20
Master/Slave	20
White Balance	20
Virtual Color Wheel	21
Manual Color Mixer	21
Color Temperature	21
Dimmer Profiles.....	21
LED Frequency	21
Back Light	21
Display Orientation.....	21
Fixture Hours/Software Version	21
RDM (Remote Device Management).....	21
Device Name.....	21
Factory Reset.....	21
5. Technical Information	22
Product Maintenance	22
6. Technical Specifications	23
Photometric Charts	24
Returns.....	25
Contact Us	26

Before You Begin

1. Before You Begin

What Is Included

- Ovation C-805FC
- Neutrik® powerCON® power cord
- 2 gel frames 5.32 x 9.65 in (135 x 245 mm)
- 2 Omega brackets with mounting hardware
- Quick Reference Guide

Claims

Carefully unpack the product immediately and check the container to make sure all the parts are in the package and are in good condition.





If the box or the contents (the product and included accessories) appear damaged from shipping, or show signs of mishandling, notify the carrier immediately, not Chauvet. Failure to report damage to the carrier immediately may invalidate your claim. In addition, keep the box and contents for inspection.

For other issues, such as missing components or parts, damage not related to shipping, or concealed damage, file a claim with Chauvet within 7 days of delivery.

Manual Conventions

Convention	Meaning
1–512	A range of values
50/60	A set of values of which only one can be chosen
<SET>	A button on the product's control panel
Settings	A product function or a menu option

Symbols

Symbol	Meaning
	Electrical warning. Not following these instructions may cause electrical damage to the product, accessories, or the user.
	Critical installation, configuration, or operation information. Not following these instructions may make the product not work, cause damage to the product, or cause harm to the operator.
	Important installation or configuration information. The product may not function correctly if this information is not used.
	Useful information.

 **Any reference to data or power connections in this manual assumes the use of Neutrik® powerCON® cables.**

 **The term “DMX” used throughout this manual refers to the USITT DMX512-A digital data transmission protocol.**

Safety Notes

Read all the following safety notes before working with this product. These notes contain important information about the installation, usage, and maintenance of this product.



This product contains no user-serviceable parts. Any reference to servicing in this User Manual will only apply to properly trained, certified technicians. Do not open the housing or attempt any repairs.



All applicable local codes and regulations apply to proper installation of this product.

Personal Safety

- Avoid direct eye exposure to the light source while the product is on.
- Always disconnect the product from the power source before cleaning or replacing the fuse.
- Always connect the product to a grounded circuit to avoid the risk of electrocution.
- Do not touch the product's housing when operating because it may be very hot.

Mounting and Rigging

- This product is not intended for permanent installation.
- This product is for indoor use only! To prevent risk of fire or shock, do not expose this product to rain or moisture. (IP20)
- CAUTION: When transferring product from extreme temperature environments, (e.g. cold truck to warm humid ballroom) condensation may form on the internal electronics of the product. To avoid causing a failure, allow product to fully acclimate to the surrounding environment before connecting it to power.
- Mount this product in a location with adequate ventilation, at least 20 in (50 cm) from adjacent surfaces.
- Make sure there are no flammable materials close to this product while it is operating.
- When hanging this product, always secure to a fastening device using a safety cable.
- Never carry the product by the power cord.

Power and Wiring

- Make sure the power cord is not crimped or damaged.
- Always make sure you are connecting this product to the proper voltage in accordance with the specifications in this manual or on the product's specification label.
- To eliminate unnecessary wear and improve its lifespan, during periods of non-use completely disconnect the product from power via breaker or by unplugging it.
- Never connect this product to a dimmer pack or rheostat.
- Make sure to replace the fuse with another of the same type and rating.
- Never disconnect this product by pulling or tugging on the power cable.

Operation

- Do not operate this product if there is damage on the housing, lenses, or cables. Have the damaged parts replaced by an authorized technician at once.
- Do not cover the ventilation slots when operating to avoid internal overheating.
- The maximum ambient temperature is 113 °F (45 °C). Do not operate the product at higher temperatures.
- In the event of a serious operation problem, stop using this product immediately!



If your Chauvet product requires service, contact Chauvet Technical Support.

Expected LED Lifespan

Over time, use and heat will gradually reduce LED brightness. Clustered LEDs produce more heat than single LEDs, contributing to shorter lifespans if always used at full intensity. The average LED lifespan is 40,000 to 50,000 hours. To extend LED lifespan, maintain proper ventilation around the product, and limit the overall intensity.

2. Introduction

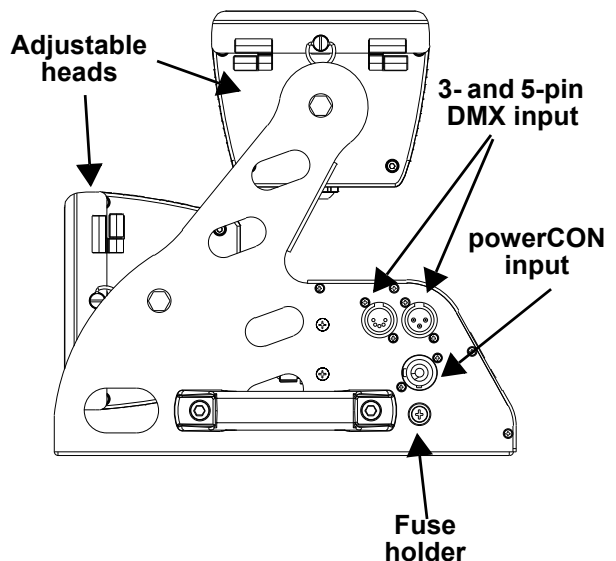
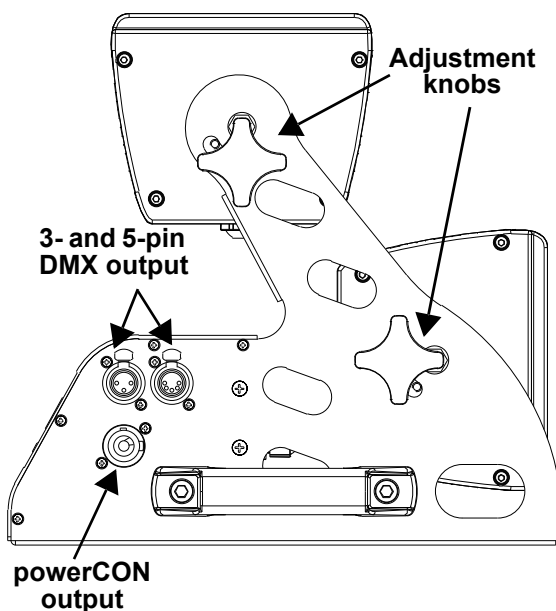
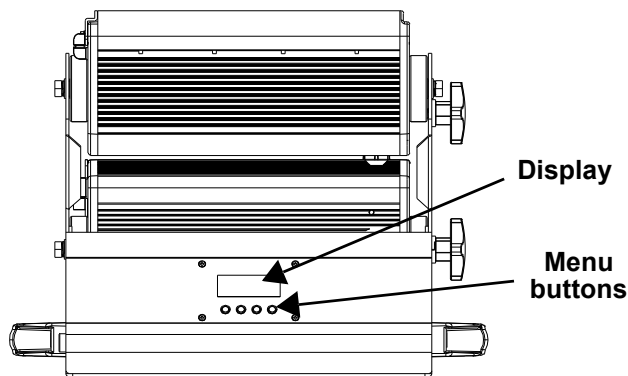
Description

The Ovation C-805FC uses its RGBA-Lime color palette to render nearly any color with tremendous realism and saturation. Its superb optics ensure an even output. Setup is easier than ever with the addition of RDM, adjustable PWM, and an easy-to-navigate OLED full-text display.

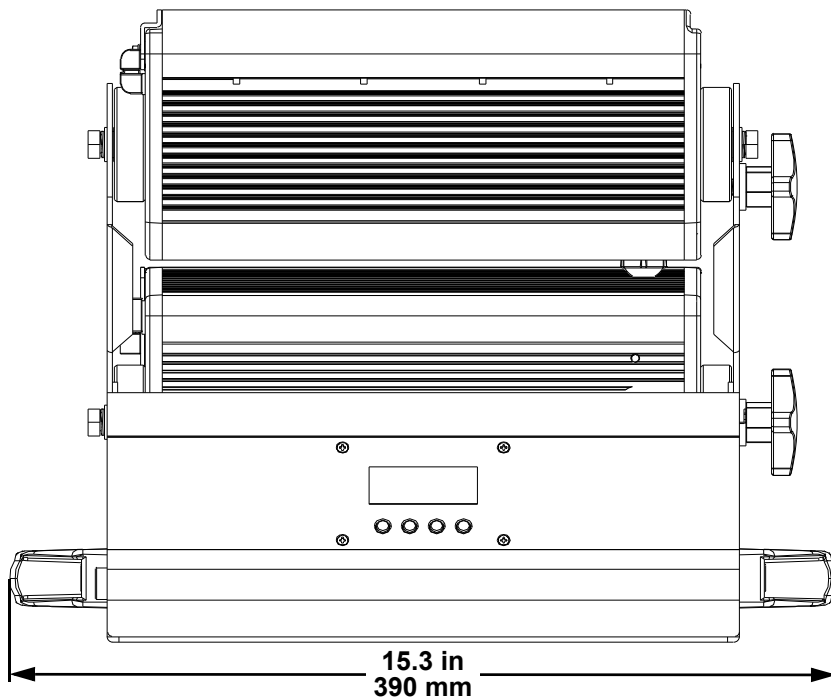
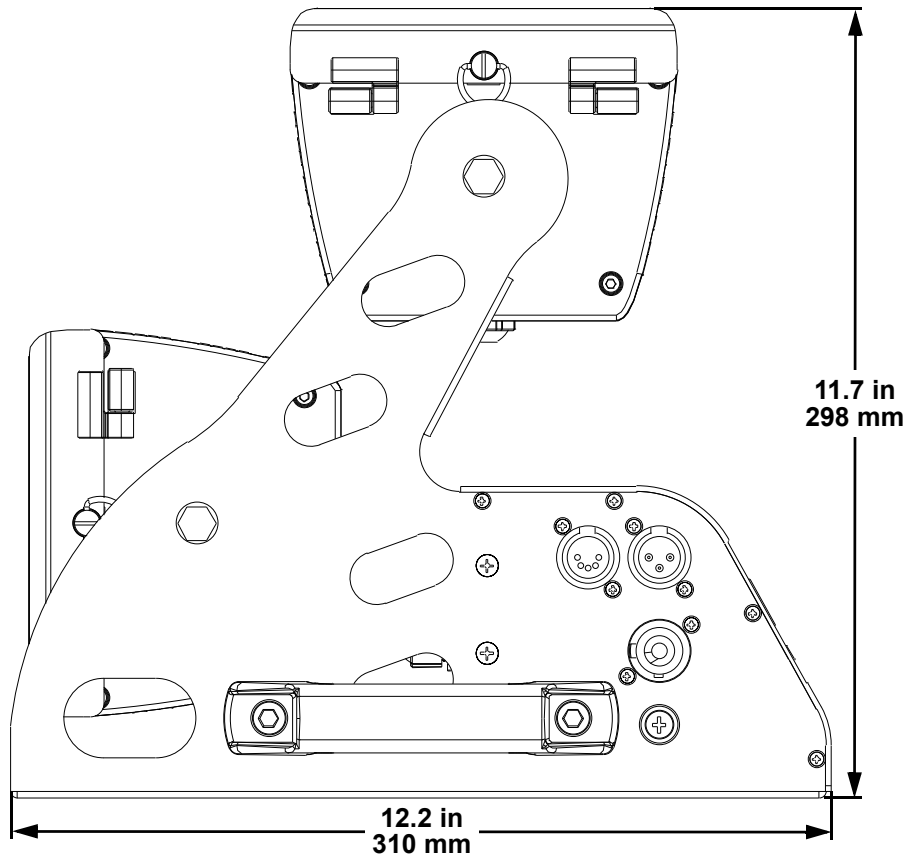
Features

- 3, 4, 5, 6, 8, 9, 10, 15, 17, 19, 20, or 31-channel full color RGBAL LED wash product
- Display a full spectrum of hues with RGBAL LEDs for theater, film, and production
- Theater-ready with 16-bit dimming of master dimmer and individual colors
- Better coverage with two individually adjustable heads, gives the ability to project split colors
- Compact cyclorama wash lighting fixture
- Flat, even field of light with superior color mixing
- Virtual Color Wheel with color matched to popular Rosco Gel colors
- RMD (Remote Device Management) for added flexibility
- Adjustable PWM (Pulse Width Modulation) to avoid flickering on camera
- Silent operation for use in studio and theater applications

Product Overview



Product Dimensions



3. Setup

AC Power

Each Ovation C-805FC has an auto-ranging power supply that works with an input voltage range of 100 to 240 VAC, 50/60 Hz. To determine the power requirements for each Ovation C-805FC, refer to the label affixed to the product. You can also refer to the Technical Specifications chart in this manual.

The listed current rating indicates the maximum current draw during normal operation. For more information, download Sizing Circuit Breakers from the Chauvet website: www.chauvetprofessional.com.



- **Always connect the product to a protected circuit (fuse or circuit breaker). Make sure the product has an appropriate electrical ground to avoid the risk of electrocution or fire.**
- **To eliminate unnecessary wear and improve its lifespan, during periods of non-use completely disconnect the product from power via breaker or by unplugging it.**



Never connect the product to a rheostat (variable resistor) or dimmer circuit, even if the rheostat or dimmer channel serves only as a 0 to 100% switch.

AC Plug

The Ovation C-805FC comes with a power input cord terminated with a Seetronic Powerkon A connector on one end and an Edison plug on the other end (U.S. market). If the power input cord that came with your product has no plug, or if you need to change the plug, use the table below to wire the new plug.

Connection	Wire (U.S.)	Wire (Europe)	Screw Color
AC Live	Black	Brown	Yellow or Brass
AC Neutral	White	Blue	Silver
AC Ground	Green/Yellow	Green/Yellow	Green

Power Linking

The product supports power linking. You can power link up to 11 products at 120 V; up to 19 at 208 V; or up to 21 at 230 V. This product comes with a power input cord. Power linking cables are available from Chauvet for purchase.

DMX Linking

You can link the Ovation C-805FC to a DMX controller using a 3- or 5-pin DMX connection. If using other DMX-compatible products with this product, you can control each individually with a single DMX controller.

DMX Personalities

The Ovation C-805FC uses a 3- or 5-pin DMX data connection for its DMX personalities, ranging from **3CH** to **31CH** in 1-cell modes and 2-cell modes:

	1-Cell	2-Cell
DMX-VCW-CCT	3	N/A
RGB	3	6
RGBA	4	8
RGBAL	5	10
RGB EXT	8	15
RGBA EXT	9	17
RGBAL EXT	10	19
RGBAL Fine	10	20
RGBAL FULL	17	31

- Refer to the [Introduction](#) for a brief description of each DMX personality.
- Refer to the [Operation](#) chapter to learn how to configure the Ovation C-805FC to work in these personalities.
- The DMX Values section provides detailed information regarding the DMX personalities.



If you are not familiar with or need more information about DMX standards, Master/Slave connectivity, or the DMX cables needed to link this product to a DMX controller, download the DMX Primer from the Chauvet website: www.chauvetprofessional.com.

Master/Slave Connectivity

The Master/Slave mode allows a Ovation C-805FC (the master) to control one or more Ovation C-805FC products (the slaves) without a DMX controller. One Ovation C-805FC becomes the master when running in auto show or VCW modes.

You must configure each slave's control panel to operate in Slave mode. During Master/Slave operation, the slaves will operate in unison with the master.



DO NOT connect a DMX controller to products operating in Master/Slave mode. The DMX controller signals may interfere with the signals from the master.



- The [Operation](#) section of this manual provides detailed instructions on how to configure the master and slaves.
- **If you are not familiar with or need more information about DMX standards, or the DMX cables needed to link this product to a DMX controller, download the DMX Primer from the Chauvet website: www.chauvetprofessional.com.**

Remote Device Management (RDM)

Remote Device Management, or RDM, is a standard for allowing DMX-enabled devices to communicate bi-directionally along existing DMX cabling. Check the DMX controller's User Manual or with the manufacturer as not all DMX controllers have this capability. The Ovation C-805FC supports RDM protocol that allows feedback to make changes to menu map options.

Setup

Mounting

Before mounting the product, read and follow the safety recommendations indicated in the Safety Notes. For our CHAUVET Professional line of mounting clamps, go to www.trusst.com/products.

Orientation

Always mount this product in a safe position, making sure there is adequate room for ventilation, configuration, and maintenance.

Rigging

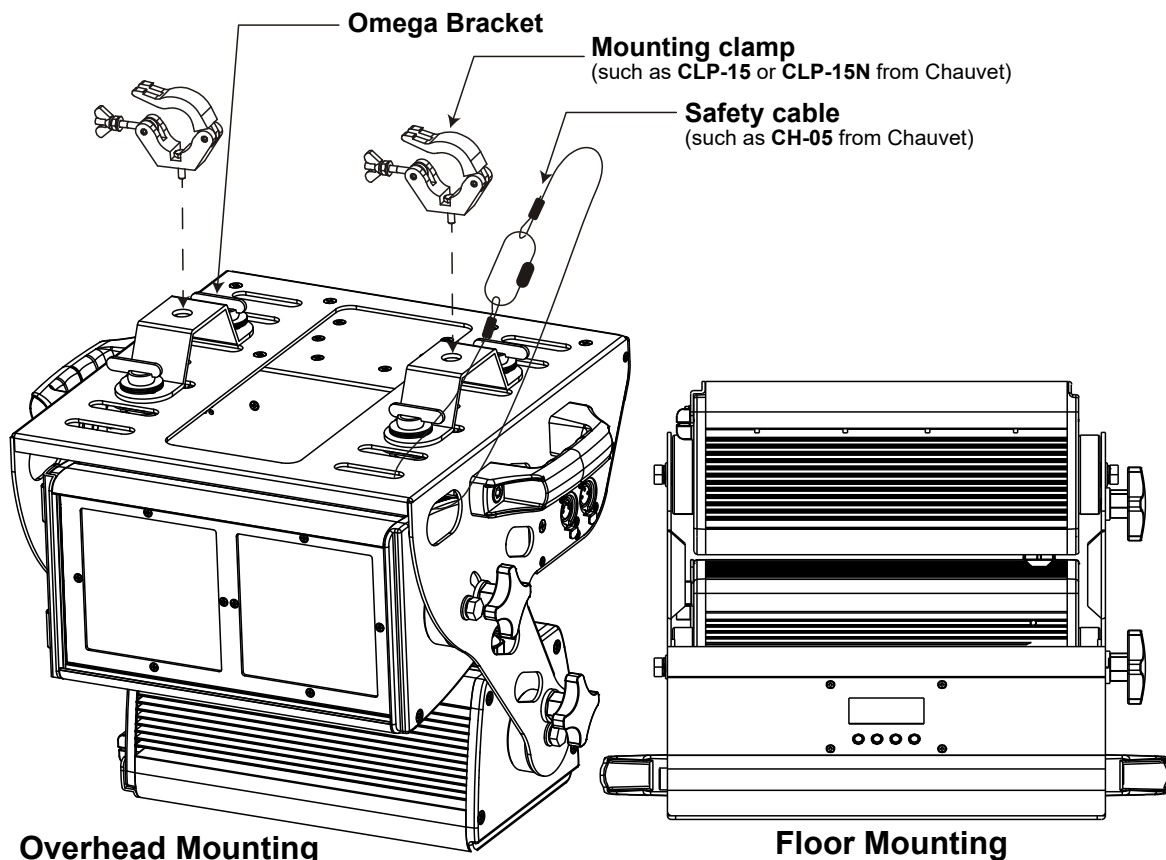
Chauvet recommends using the following general guidelines when mounting this product.

- Before deciding on a location for the product, make sure there is easy access to the product for maintenance and programming purposes.
- Make sure that the structure onto which you are mounting the product can support the product's weight. See the [Technical Specifications](#) for weight information.
- When mounting the product overhead, always use a safety cable. Mount the product securely to a rigging point, whether an elevated platform or a truss.
- When rigging the product onto a truss, use a mounting clamp of appropriate weight capacity.
- When power linking multiple products, mount the products close enough for power linking cables to reach.
- The bracket adjustment knobs allow for directional adjustment when aiming the product to the desired angle. Only loosen or tighten the bracket knobs manually. Using tools could damage the knobs.

Procedure

The Ovation C-805FC comes with a double-bracketed yoke to which you can either attach mounting clamps for hanging or simply use as a floor stand. You must supply the mounting clamps. Make sure the clamps are capable of supporting the weight of this product. Use at least one mounting point per product. For the CHAUVET Professional line of mounting clamps, go to www.trusst.com/products.

Mounting Diagram



4. Operation

Control Panel Operation

Button	Function
<MENU>	Exits from the current menu or function
<ENTER>	Enables the currently displayed menu or sets the currently selected value in to the current function
<UP>	Navigates upward through the menu list or increases the numeric value when in a function
<DOWN>	Navigates downward through the menu list or decreases the numeric value when in a function

Control Options

Set the Ovation C-805FC starting address in the 001-512 DMX range. This enables control of up to 21 products in the 31-channel **RGBAL FULL 31CH** personality.

Programming

Refer to the Menu Map to understand the menu options. The menu map shows the main level and a variable number of programming levels for each option.

- To go to the desired main level, press <MENU> repeatedly until the option shows on the display. Press <ENTER> to select. This will take you to the first programming level for that option.
- To select an option or value within the current programming level, press <UP> or <DOWN> until the option shows on the display. Press <ENTER> to select. In this case, if there is another programming level, you will see that first option, or you will see the selected value.
- Press <MENU> repeatedly to exit to the previous main level.

Menu Map

Main Level	Programming Levels	Description	
Start Address	1-510*	Selects starting address (*highest channel restricted to personality chosen)	
Personality	1-Cell	DMX-VCW-CCT 3CH	3-channel: dimmer, virtual color wheel, color temperature
		RGB 3CH	3-channel: RGB
		RGBA 4CH	4-channel: RGBA
		RGBAL 5CH	5-channel: RGBAL
		RGB EXT 8CH	8-channel: 16-bit dimmer, RGB, virtual color wheel, color temperature, strobe
		RGBA EXT 9CH	9-channel: 16-bit dimmer, RGBA, virtual color wheel, color temperature, strobe
		RGBAL EXT 10CH	10-channel: 16-bit dimmer, RGBAL, virtual color wheel, color temperature, strobe
		RGBAL Fine 10CH	10-channel: 16-bit RGBAL
		RGBAL FULL 17CH	17-channel: 16-bit dimmer, 16-bit RGBAL, virtual color wheel, color temperature, strobe, color macros, dimmer mode

Main Level	Programming Levels		Description	
Personality (cont.)	2-Cell	RGB 6CH	6-channel: RGB (per cell)	
		RGBA 8CH	8-channel: RGBA (per cell)	
		RGBAL 10CH	10-channel: RGBAL (per cell)	
		RGB EXT 15CH	15-channel: 16-bit dimmer, RGB (per cell), virtual color wheel (per cell), color temperature (per cell), strobe (per cell)	
		RGBA EXT 17CH	17-channel: 16-bit dimmer, RGBA (per cell), virtual color wheel (per cell), color temperature (per cell), strobe (per cell)	
		RGBAL EXT 19CH	19-channel: 16-bit dimmer, RGBAL (per cell), virtual color wheel (per cell), color temperature (per cell), strobe (per cell)	
		RGBAL Fine 20CH	20-channel: 16-bit RGBAL (per cell)	
		RGBAL FULL 31CH	31-channel: 16-bit dimmer, 16-bit RGBAL (per cell), virtual color wheel (per cell), color temperature (per cell), strobe (per cell), color macros, dimmer mode	
Virtual Color Wheel	Virtual Color Wheel	C3050 - Md Yellow C3040 - Lt Yellow C3240 - Amb Yellow C2340 - VLt Amber C2040 - Lt Amber C2050 - Md Amber C2060 - Dk Amber C1050 - Lt Red C1080 - Md Red C1020 - NC Pink C1030 - Md Pink C1630 - Dk Pink C1250 - Md Red Amber C1060 - Dk Red Amber C1650 - Magenta C6170 - Dk Magenta C6020 - Lt Lavender C5030 - Lt Blue C5020 - VLt Blue C5430 - Lt Blue 2 C5070 - Blue C5050 - Md Blue C5060 - Dk Blue C5690 - Indigo C5080 - VDK Blue C5081 - VDK Blue 2 C4370 - Yel Green C4070 - Green C4550 - Turquoise C4560 - Aqua C4570 - Blue Green	Dimmer 0-100	Virtual Color Wheel simulates the output of each gel color. Refer to the Virtual Color Wheel Chart section for specific values.

Main Level	Programming Levels		Description	
Virtual Color Wheel (cont.)	Color Temperature	2800K	Dimmer 0–100	Preset white color temperatures. Emulates a tungsten lamp at the specified color temperature. Refer to the Color Temperature Chart section for specific values.
		3000K		
		3200K		
		3500K		
		4000K		
		4500K		
		5000K		
		5600K		
		6000K		
	6500K			
	Manual Color Mixer	Red	Dimmer 0–100	Combine red, green, blue, amber, and lime to make a custom color (0–100%)
		Green		
		Blue		
		Amber		
Lime				
Auto Show	Auto 1	Speed 1–100	Selects automatic programs and auto program speed	
	Auto 2			
	Auto 3			
	Auto 4			
	Auto 5			
	Auto 6			
	Auto 7			
	Auto 8			
	Auto 9			
Master/Slave	Master		Master mode	
	Slave		Slave mode	
Dimmer Mode	Off		Linear dimmer	
	Dimmer 1		Fast dimmer curve	
	Dimmer 2		Medium dimmer curve	
	Dimmer 3		Slow dimmer curve	
White Balance	Off		Uses factory default white setting	
	Manual	Red	125–255	Sets red LED maximum value
		Green		Sets green LED maximum value
		Blue		Sets blue LED maximum value
		Amber		Sets amber LED maximum value
		Lime		Sets lime LED maximum value
LED Frequency	600Hz		Selects the PWM output frequency	
	1200Hz			
	2000Hz			
	2400Hz			
	6000Hz			
	18KHz			
	25KHz			
Display	Normal		Normal display orientation	
	Inverse		Inverted display	

Operation

Main Level	Programming Levels		Description
Back Light	10S		Turns off display backlight after 10 seconds of inactivity
	30S		Turns off display backlight after 30 seconds of inactivity
	2Min		Turns off display backlight after 2 minutes of inactivity
	On		Display backlight always on
Information	Fixture Hours	----	Shows total product hours
	Version	V_._-V_._	Shows installed software version
	Device ID	-----	Shows product device ID
	UID	-----	Shows product UID
Factory Setting	No		Reset to factory defaults
	Yes		

Configuration (DMX)

Use DMX configurations to operate the product with a DMX controller.

DMX Personalities

This setting allows you to choose a particular DMX personality.

1. Go to the **Personality** main level.
2. Choose **1-Cell** or **2-Cell** mode.
3. Select the desired personality (see **Menu Map > Personality**).



- See the [DMX Control](#) section for the highest starting address you can select for each personality.
- Make sure that the starting addresses on the various products do not overlap due to the new personality setting.

DMX Control

In this mode, each product will respond to a unique starting address from the DMX controller. All products with the same starting address will respond in unison.

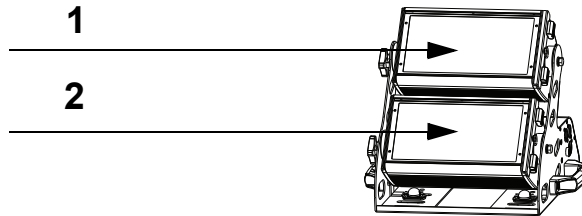
1. Select a DMX personality as shown in [DMX Personalities](#).
2. Set the running mode:
 - a. Go to the **Master/Slave** main level
 - b. Select the **Master** programming level
3. Set the starting address:
 - a. Go to **Start Address** main level.
 - b. Select the starting address (**001–512**).

The highest recommended starting address for each DMX mode is as follows:

	1-Cell	2-Cell
DMX-VCW-CCT	510	N/A
RGB	510	507
RGBA	509	505
RGBAL	508	503
RGB EXT	505	498
RGBA EXT	504	496
RGBAL EXT	503	494
RGBAL Fine	503	493
RGBAL FULL	496	482

2-Cell DMX Values

Ovation C-805FC Sections for DMX Cell Control



RGBAL Full 31CH

Channel	Function	Value	Percent/Setting
1	Dimmer	000 ⇄ 255	0–100%
2	Dimmer fine	000 ⇄ 255	0–100%
3	Red 1	000 ⇄ 255	0–100%
4	Red fine 1	000 ⇄ 255	0–100%
5	Green 1	000 ⇄ 255	0–100%
6	Green fine 1	000 ⇄ 255	0–100%
7	Blue 1	000 ⇄ 255	0–100%
8	Blue fine 1	000 ⇄ 255	0–100%
9	Amber 1	000 ⇄ 255	0–100%
10	Amber fine 1	000 ⇄ 255	0–100%
11	Lime 1	000 ⇄ 255	0–100%
12	Lime fine 1	000 ⇄ 255	0–100%
13	Virtual Color Wheel 1	000 ⇄ 255	Refer to the Virtual Color Wheel Chart section for specific values
14	Color Temperature 1	000 ⇄ 255	Refer to the Color Temperature Chart section for specific values
15	Strobe 1	000 ⇄ 010	No function
		011 ⇄ 255	Strobe, slow to fast
16	Red 2	000 ⇄ 255	0–100%
17	Red fine 2	000 ⇄ 255	0–100%
18	Green 2	000 ⇄ 255	0–100%
19	Green fine 2	000 ⇄ 255	0–100%
20	Blue 2	000 ⇄ 255	0–100%
21	Blue fine 2	000 ⇄ 255	0–100%
22	Amber 2	000 ⇄ 255	0–100%
23	Amber fine 2	000 ⇄ 255	0–100%
24	Lime 2	000 ⇄ 255	0–100%
25	Lime fine 2	000 ⇄ 255	0–100%
26	Virtual Color Wheel 2	000 ⇄ 255	Refer to the Virtual Color Wheel Chart section for specific values
27	Color Temperature 2	000 ⇄ 255	Refer to the Color Temperature Chart section for specific values
28	Strobe 2	000 ⇄ 010	No function
		011 ⇄ 255	Strobe, slow to fast
29	Strobe All	000 ⇄ 010	No function
		011 ⇄ 255	Strobe, slow to fast
30	Color macros	000 ⇄ 015	No function
		016 ⇄ 255	Color macros
31	Dimmer speed	000 ⇄ 051	Preset dimmer speed from display menu
		052 ⇄ 101	Dimmer speed mode off
		102 ⇄ 152	Dimmer speed mode 1 (fastest)
		153 ⇄ 203	Dimmer speed mode 2
		204 ⇄ 255	Dimmer speed mode 3 (slowest)

Operation

RGBAL Fine 20CH

Channel	Function	Value	Percent/Setting
1	Red 1	000 ⇄ 255	0–100%
2	Red fine 1	000 ⇄ 255	0–100%
3	Green 1	000 ⇄ 255	0–100%
4	Green fine 1	000 ⇄ 255	0–100%
5	Blue 1	000 ⇄ 255	0–100%
6	Blue fine 1	000 ⇄ 255	0–100%
7	Amber 1	000 ⇄ 255	0–100%
8	Amber fine 1	000 ⇄ 255	0–100%
9	Lime 1	000 ⇄ 255	0–100%
10	Lime fine 1	000 ⇄ 255	0–100%
11	Red 2	000 ⇄ 255	0–100%
12	Red fine 2	000 ⇄ 255	0–100%
13	Green 2	000 ⇄ 255	0–100%
14	Green fine 2	000 ⇄ 255	0–100%
15	Blue 2	000 ⇄ 255	0–100%
16	Blue fine 2	000 ⇄ 255	0–100%
17	Amber 2	000 ⇄ 255	0–100%
18	Amber fine 2	000 ⇄ 255	0–100%
19	Lime 2	000 ⇄ 255	0–100%
20	Lime fine 2	000 ⇄ 255	0–100%

RGBAL EXT 19CH

Channel	Function	Value	Percent/Setting
1	Dimmer	000 ⇄ 255	0–100%
2	Dimmer fine	000 ⇄ 255	0–100%
3	Red 1	000 ⇄ 255	0–100%
4	Green 1	000 ⇄ 255	0–100%
5	Blue 1	000 ⇄ 255	0–100%
6	Amber 1	000 ⇄ 255	0–100%
7	Lime 1	000 ⇄ 255	0–100%
8	Virtual Color Wheel 1	000 ⇄ 255	Refer to the Virtual Color Wheel Chart section for specific values
9	Color Temperature 1	000 ⇄ 255	Refer to the Color Temperature Chart section for specific values
10	Strobe 1	000 ⇄ 010 011 ⇄ 255	No function Strobe, slow to fast
11	Red 2	000 ⇄ 255	0–100%
12	Green 2	000 ⇄ 255	0–100%
13	Blue 2	000 ⇄ 255	0–100%
14	Amber 2	000 ⇄ 255	0–100%
15	Lime 2	000 ⇄ 255	0–100%
16	Virtual Color Wheel 2	000 ⇄ 255	Refer to the Virtual Color Wheel Chart section for specific values
17	Color Temperature 2	000 ⇄ 255	Refer to the Color Temperature Chart section for specific values
18	Strobe 2	000 ⇄ 010 011 ⇄ 255	No function Strobe, slow to fast
19	Strobe all	000 ⇄ 010 011 ⇄ 255	No function Strobe, slow to fast

RGBA EXT 17CH

Channel	Function	Value	Percent/Setting
1	Dimmer	000 ⇔ 255	0–100%
2	Dimmer fine	000 ⇔ 255	0–100%
3	Red 1	000 ⇔ 255	0–100%
4	Green 1	000 ⇔ 255	0–100%
5	Blue 1	000 ⇔ 255	0–100%
6	Amber 1	000 ⇔ 255	0–100%
7	Virtual Color Wheel 1	000 ⇔ 255	Refer to the Virtual Color Wheel Chart section for specific values
8	Color Temperature 1	000 ⇔ 255	Refer to the Color Temperature Chart section for specific values
9	Strobe 1	000 ⇔ 010	No function
		011 ⇔ 255	Strobe, slow to fast
10	Red 2	000 ⇔ 255	0–100%
11	Green 2	000 ⇔ 255	0–100%
12	Blue 2	000 ⇔ 255	0–100%
13	Amber 2	000 ⇔ 255	0–100%
14	Virtual Color Wheel 2	000 ⇔ 255	Refer to the Virtual Color Wheel Chart section for specific values
15	Color Temperature 2	000 ⇔ 255	Refer to the Color Temperature Chart section for specific values
16	Strobe 2	000 ⇔ 010	No function
		011 ⇔ 255	Strobe, slow to fast
17	Strobe all	000 ⇔ 010	No function
		011 ⇔ 255	Strobe, slow to fast

RGB EXT 15CH

Channel	Function	Value	Percent/Setting
1	Dimmer	000 ⇔ 255	0–100%
2	Dimmer fine	000 ⇔ 255	0–100%
3	Red 1	000 ⇔ 255	0–100%
4	Green 1	000 ⇔ 255	0–100%
5	Blue 1	000 ⇔ 255	0–100%
6	Virtual Color Wheel 1	000 ⇔ 255	Refer to the Virtual Color Wheel Chart section for specific values
7	Color Temperature 1	000 ⇔ 255	Refer to the Color Temperature Chart section for specific values
8	Strobe 1	000 ⇔ 010	No function
		011 ⇔ 255	Strobe, slow to fast
9	Red 2	000 ⇔ 255	0–100%
10	Green 2	000 ⇔ 255	0–100%
11	Blue 2	000 ⇔ 255	0–100%
12	Virtual Color Wheel 2	000 ⇔ 255	Refer to the Virtual Color Wheel Chart section for specific values
13	Color Temperature 2	000 ⇔ 255	Refer to the Color Temperature Chart section for specific values
14	Strobe 2	000 ⇔ 010	No function
		011 ⇔ 255	Strobe, slow to fast
15	Strobe all	000 ⇔ 010	No function
		011 ⇔ 255	Strobe, slow to fast

Operation

RGBAL 10CH

Channel	Function	Value	Percent/Setting
1	Red 1	000 ⇄ 255	0–100%
2	Green 1	000 ⇄ 255	0–100%
3	Blue 1	000 ⇄ 255	0–100%
4	Amber 1	000 ⇄ 255	0–100%
5	Lime 1	000 ⇄ 255	0–100%
6	Red 2	000 ⇄ 255	0–100%
7	Green 2	000 ⇄ 255	0–100%
8	Blue 2	000 ⇄ 255	0–100%
9	Amber 2	000 ⇄ 255	0–100%
10	Lime 2	000 ⇄ 255	0–100%

RGBA 8CH

Channel	Function	Value	Percent/Setting
1	Red 1	000 ⇄ 255	0–100%
2	Green 1	000 ⇄ 255	0–100%
3	Blue 1	000 ⇄ 255	0–100%
4	Amber 1	000 ⇄ 255	0–100%
5	Red 2	000 ⇄ 255	0–100%
6	Green 2	000 ⇄ 255	0–100%
7	Blue 2	000 ⇄ 255	0–100%
8	Amber 2	000 ⇄ 255	0–100%

RGB 6CH

Channel	Function	Value	Percent/Setting
1	Red 1	000 ⇄ 255	0–100%
2	Green 1	000 ⇄ 255	0–100%
3	Blue 1	000 ⇄ 255	0–100%
4	Red 2	000 ⇄ 255	0–100%
5	Green 2	000 ⇄ 255	0–100%
6	Blue 2	000 ⇄ 255	0–100%

1-Cell DMX Values

RGBAL FULL 17CH

Channel	Function	Value	Percent/Setting
1	Dimmer	000 ⇄ 255	0–100%
2	Dimmer fine	000 ⇄ 255	0–100%
3	Red	000 ⇄ 255	0–100%
4	Red fine	000 ⇄ 255	0–100%
5	Green	000 ⇄ 255	0–100%
6	Green fine	000 ⇄ 255	0–100%
7	Blue	000 ⇄ 255	0–100%
8	Blue fine	000 ⇄ 255	0–100%
9	Amber	000 ⇄ 255	0–100%
10	Amber fine	000 ⇄ 255	0–100%
11	Lime	000 ⇄ 255	0–100%
12	Lime fine	000 ⇄ 255	0–100%
13	Virtual Color Wheel	000 ⇄ 255	Refer to the Virtual Color Wheel Chart section for specific values
14	Color Temperature	000 ⇄ 255	Refer to the Color Temperature Chart section for specific values
15	Strobe	000 ⇄ 010	No function
		011 ⇄ 255	Strobe, slow to fast
16	Color macros	000 ⇄ 015	No function
		016 ⇄ 255	Color macros
17	Dimmer speed	000 ⇄ 051	Preset dimmer speed from display menu
		052 ⇄ 101	Dimmer speed mode off
		102 ⇄ 152	Dimmer speed mode 1 (fastest)
		153 ⇄ 203	Dimmer speed mode 2
		204 ⇄ 255	Dimmer speed mode 3 (slowest)

RGBAL Fine 10CH

Channel	Function	Value	Percent/Setting
1	Red	000 ⇄ 255	0–100%
2	Red fine	000 ⇄ 255	0–100%
3	Green	000 ⇄ 255	0–100%
4	Green fine	000 ⇄ 255	0–100%
5	Blue	000 ⇄ 255	0–100%
6	Blue fine	000 ⇄ 255	0–100%
7	Amber	000 ⇄ 255	0–100%
8	Amber fine	000 ⇄ 255	0–100%
9	Lime	000 ⇄ 255	0–100%
10	Lime fine	000 ⇄ 255	0–100%

Operation

RGBAL EXT 10CH

Channel	Function	Value	Percent/Setting
1	Dimmer	000 ⇄ 255	0–100%
2	Dimmer Fine	000 ⇄ 255	0–100%
3	Red	000 ⇄ 255	0–100%
4	Green	000 ⇄ 255	0–100%
5	Blue	000 ⇄ 255	0–100%
6	Amber	000 ⇄ 255	0–100%
7	Lime	000 ⇄ 255	0–100%
8	Virtual Color Wheel	000 ⇄ 255	Refer to the Virtual Color Wheel Chart section for specific values
9	Color Temperature	000 ⇄ 255	Refer to the Color Temperature Chart section for specific values
10	Strobe	000 ⇄ 010	No function
		011 ⇄ 255	Strobe, slow to fast

RGBA EXT 9CH

Channel	Function	Value	Percent/Setting
1	Dimmer	000 ⇄ 255	0–100%
2	Fine Dimmer	000 ⇄ 255	0–100%
3	Red	000 ⇄ 255	0–100%
4	Green	000 ⇄ 255	0–100%
5	Blue	000 ⇄ 255	0–100%
6	Amber	000 ⇄ 255	0–100%
7	Virtual Color Wheel	000 ⇄ 255	Refer to the Virtual Color Wheel Chart section for specific values
8	Color Temperature	000 ⇄ 255	Refer to the Color Temperature Chart section for specific values
9	Strobe	000 ⇄ 010	No function
		011 ⇄ 255	Strobe, slow to fast

RGB EXT 8CH

Channel	Function	Value	Percent/Setting
1	Dimmer	000 ⇄ 255	0–100%
2	Fine Dimmer	000 ⇄ 255	0–100%
3	Red	000 ⇄ 255	0–100%
4	Green	000 ⇄ 255	0–100%
5	Blue	000 ⇄ 255	0–100%
6	Virtual Color Wheel	000 ⇄ 255	Refer to the Virtual Color Wheel Chart section for specific values
7	Color Temperature	000 ⇄ 255	Refer to the Color Temperature Chart section for specific values
8	Strobe	000 ⇄ 010	No function
		011 ⇄ 255	Strobe, slow to fast

RGBAL 5CH

Channel	Function	Value	Percent/Setting
1	Red	000 ⇄ 255	0–100%
2	Green	000 ⇄ 255	0–100%
3	Blue	000 ⇄ 255	0–100%
4	Amber	000 ⇄ 255	0–100%
5	Lime	000 ⇄ 255	0–100%

RGBA 4CH

Channel	Function	Value	Percent/Setting
1	Red	000 ⇔ 255	0–100%
2	Green	000 ⇔ 255	0–100%
3	Blue	000 ⇔ 255	0–100%
4	Amber	000 ⇔ 255	0–100%

RGB 3CH

Channel	Function	Value	Percent/Setting
1	Red	000 ⇔ 255	0–100%
2	Green	000 ⇔ 255	0–100%
3	Blue	000 ⇔ 255	0–100%

DMX-VCW-CCT 3CH

Channel	Function	Value	Percent/Setting
1	Dimmer	000 ⇔ 255	0–100%
2	Virtual Color Wheel	000 ⇔ 255	Refer to the Virtual Color Wheel Chart section for specific values
3	Color Temperature	000 ⇔ 255	Refer to the Color Temperature Chart section for specific values

Operation

Virtual Color Wheel

The Ovation C-805FC includes a feature called the Virtual Color Wheel (VCW). This feature is available as a standalone control mode for manual use and also as a control channel in select DMX personalities. More than 30 pre-mixed colors, custom blended by our engineers, are available to call up for easier programming. The DMX values used to mix these colors are provided below. You may adjust the overall intensity of the Ovation fixture in order to more closely replicate colors you are familiar with. A chart is available on our website www.chauvetprofessional.com to compare our pre-mixed colors with popular gel colors. This chart is for comparison purposes only and is not a representation that our pre-mixed colors match any of the gel colors listed.

Virtual Color Wheel Chart

DMX Value	Display Readout	Red Value	Green Value	Blue Value	Amber Value	Lime Value
000 ⇄ 005	--	000	000	000	000	000
006 ⇄ 013	C3050 - Md Yellow	246	195	028	176	212
014 ⇄ 021	C3040 - Lt Yellow	251	175	043	203	203
022 ⇄ 028	C3240 - Amb Yellow	227	185	002	235	191
029 ⇄ 035	C2340 - VLt Amber	255	143	064	085	175
036 ⇄ 043	C2040 - Lt Amber	255	169	063	219	070
044 ⇄ 051	C2050 - Md Amber	255	162	006	244	136
052 ⇄ 059	C2060 - Dk Amber	250	126	031	243	119
060 ⇄ 067	C1050 - Lt Red	255	080	038	050	029
068 ⇄ 075	C1080 - Md Red	215	005	033	002	002
076 ⇄ 083	C1020 - NC Pink	255	129	105	250	222
084 ⇄ 091	C1030 - Md Pink	255	064	104	217	238
092 ⇄ 099	C1630 - Dk Pink	255	068	106	245	252
100 ⇄ 107	C1250 - Md Red Amber	255	049	046	164	108
108 ⇄ 115	C1060 - Dk Red Amber	255	015	058	167	000
116 ⇄ 121	C1650 - Magenta	255	020	105	255	132
122 ⇄ 130	C6170 - Dk Magenta	255	000	106	009	101
131 ⇄ 138	C6020 - Lt Lavender	255	202	117	017	227
139 ⇄ 146	C5030 - Lt Blue	177	255	169	219	230
147 ⇄ 154	C5020 - VLt Blue	190	225	152	238	235
155 ⇄ 162	C5430 - Lt Blue 2	101	255	153	218	137
163 ⇄ 170	C5070 - Blue	048	175	155	000	124
171 ⇄ 178	C5050 - Md Blue	127	187	138	081	136
179 ⇄ 186	C5060 - Dk Blue	082	217	218	154	219
187 ⇄ 194	C5690 - Indigo	100	000	160	000	000
195 ⇄ 202	C5080 - VDk Blue	055	150	150	000	020
203 ⇄ 210	C5081 - VDk Blue 2	015	100	092	035	030
211 ⇄ 218	C4370 - Yel Green	020	123	025	049	051
219 ⇄ 226	C4070 - Green	047	094	032	043	039
227 ⇄ 234	C4550 - Turquoise	091	180	084	123	175
235 ⇄ 242	C4560 - Aqua	063	147	075	094	133
243 ⇄ 250	C4570 - Blue Green	043	170	073	043	087
251 ⇄ 255	--	000	000	000	000	000



The colors above are simulated renditions of the color output produced as compared with other similar incandescent products. Chauvet makes no guarantee of the color output accuracy.

Color Temperature Chart

DMX Value	Display Readout	Red Value	Green Value	Blue Value	Amber Value	Lime Value
000 ⇔ 005	--	000	000	000	000	000
006 ⇔ 025	2800K	185	160	90	248	180
026 ⇔ 050	3200K	190	180	102	148	180
051 ⇔ 075	3500K	200	194	111	249	180
076 ⇔ 100	4000K	195	204	122	249	180
101 ⇔ 125	4500K	195	212	132	249	187
126 ⇔ 150	5000K	195	219	140	249	187
151 ⇔ 175	5600K	200	229	148	251	181
176 ⇔ 200	6000K	181	230	152	252	182
201 ⇔ 225	6500K	180	233	157	252	182
226 ⇔ 255	--	000	000	000	000	000



The color temperatures above are simulated renditions of the color output produced as compared to a tungsten lamp at the specified color temperature. Chauvet makes no guarantee of the color output accuracy.

Configuration (Standalone)

Use standalone configuration to operate the product without a DMX controller.

Auto Programs

Auto programs allow for dynamic RGBAL color mixing without a DMX controller.

1. Go to the **Auto Show** main level.
2. Select the desired auto (**Auto 1-9/Fade**).
3. Select the desired speed (**Speed 0-100**).



The auto programs cannot be edited.

Master/Slave

The Master/Slave mode allows a group of Ovation C-805FC products (the slaves) to simultaneously duplicate the output of another Ovation C-805FC (the master) without a DMX controller.

To set each of the slaves:

1. Go to the **Master/Slave** main level.
2. Select **Slave**.

To set the master:

1. Go to the **Master/Slave** main level.
2. Select **Master**.
3. Select an auto program as explained in Auto Programs, or VCW.



- The master is the one that runs a program whether in Auto Program or VCW modes.
- Do not connect a DMX controller to the products configured for Master/Slave operation. The DMX controller may interfere with signals from the master.
- The master should be the first product in the daisy chain.

White Balance

This setting allows for selection of the white balance shown by the Ovation C-805FC when the color setting is **RGBAL** and the DMX controller's red, green, blue, amber, and lime faders are set to **255**.

1. Go to the **White Balance** main level.
2. Select **Manual** to continue to adjust the white balance or **Off** to default to the original factory setting.
3. Select a color (**Red, Green, Blue, Amber or Lime**).
4. Select a color value (**125–255**).
5. Repeat for the other colors.



The values of Red, Green, Blue, Amber and Lime configured will define the color temperature shown when the RGBAL faders are set to 255.

Operation

Virtual Color Wheel

The Virtual Color Wheel mode allows for preset popular colors RGBAL color mixing without a DMX controller.

1. Go to the **VCW** (Virtual Color Wheel) main level.
2. Select **VCW** (Virtual Color Wheel).
3. Select the desired color from the [Virtual Color Wheel Chart](#).
4. Press **<ENTER>** twice.
5. Use **<UP>** or **<DOWN>** to select the **Dimmer** value, from **000–255**.
6. Press **<ENTER>**.

Manual Color Mixer

The Manual Color Mixer mode allows for permanent RGBAL color mixing without a DMX controller.

1. Go to the **VCW** main level.
2. Select **MCM** (Manual Color Mixer).
3. Select the desired color (**Red, Green, Blue, Amber, or Lime**).
4. Select the color value (**000–255**).
5. Repeat for the other colors.

Color Temperature

The color temperature mode allows for permanent white color temperature presets without a DMX controller.

1. Go to the **VCW** main level.
2. Select **CCT** (Color Temperature).
3. Select the desired color temperature.

Dimmer Profiles

This setting determines how fast the output of the Ovation C-805FC changes when you modify the values of the red, green, blue, amber, and dimmer faders. This setting provides four different options to simulate the dimming curve of an incandescent lighting product.

- Go to the **Dimmer Mode** main level.
- Select a dimmer curve (**OFF, Dimmer 1, Dimmer 2, or Dimmer 3**).



OFF: The output is proportional (linear) to the dimmer and RGBAL channel values.

Dimmer 1-3: The output follows the dimmer and RGBAL channel values based on the corresponding dimmer curve, DIM1 being the fastest.

LED Frequency

This option changes the Pulse Width Modulation (PWM) frequency of the LEDs on the Ovation C-805FC.

1. Go to the **LED Frequency** main level.
2. Select PWM Frequency (**600Hz, 1200Hz, 2000Hz, 2400Hz, 6000Hz, 18Khz, or 25Khz**).

Back Light

This setting allows for selection of the amount of time the backlight on the Ovation C-805FC's display stays on after the last button is pressed on the control panel.

1. Go to the **Back Light** main level.
2. Select **10S** (10 seconds), **30S** (seconds), **2Min** (2 minutes), or **On** (remains on).

Display Orientation

This allows the Ovation C-805FC's display to be inverted for ease of use.

1. Go to the **Display** main level.
2. Select **Normal** or **Inverse**.

Fixture Hours/Software Version

This option displays the total number of hours the product has run, and the installed software version.

1. Go to the **Information** main level.
2. Select **Fixture Hours** or **Version**.

RDM (Remote Device Management)

This option displays the device UID#.

1. Go to the **Information** main level.
2. Select **UID**.

Device Name

This option displays the products name.

1. Go to the **Information** main level.
2. Select **Device ID**.

Factory Reset

This option restores the Ovation C-805FC to the original factory settings.

1. Go to the **Factory Setting** main level.
2. Select **Yes** or **No**.

5. Technical Information

Product Maintenance

To maintain optimum performance and minimize wear, clean this product frequently. Usage and environment are contributing factors in determining the cleaning frequency.

Clean this product at least twice a month. Dust build-up reduces light output performance and can cause overheating. This can lead to reduced light source life and increased mechanical wear.

To clean the product:

1. Unplug the product from power.
2. Wait until the product is at room temperature.
3. Use a vacuum (or dry compressed air) and a soft brush to remove dust collected on the external vents.
4. Clean all transparent surfaces with a mild soap solution, ammonia-free glass cleaner, or isopropyl alcohol.
5. Apply the solution directly to a soft, lint-free cotton cloth or a lens-cleaning tissue.
6. Softly drag any dirt or grime to the outside of the transparent surface.
7. Gently polish the transparent surfaces until they are free of haze and lint.



Always dry the transparent surfaces carefully after cleaning them.

Technical Specifications

6. Technical Specifications

Dimensions and Weight

Length	Width	Height	Weight
15.3 in (390 mm)	12.2 in (310 mm)	11.7 in (298 mm)	22 lb (10 kg)

Note: Dimensions in inches are rounded.

Power

Power Supply Type	Range	Voltage Selection
Switching (internal)	100 to 240 VAC, 50/60 Hz	Auto-ranging

Parameter	120 V, 60 Hz	208 V, 60 Hz	230 V, 50 Hz
Consumption	152 W	147 W	146 W
Operating current	1.229 A	0.704 A	0.638 A
Power-linking current (products)	13.6 A (11 products)	13.6 A (19 products)	13.6 A (21 products)
Fuse	T 3.15 A, 250 V	T 3.15 A, 250 V	T 3.15 A, 250 V

Power I/O	U.S./Worldwide	UK/Europe
Power input connector	Neutrik® powerCON® A	Neutrik® powerCON® A
Power output connector	Neutrik® powerCON® B	Neutrik® powerCON® B
Power cord plug	Edison (U.S.)	Local plug

Light Source

Type	Color	Quantity	Power	Current	Lifespan
LED	Red	20	2 to 4 W	820mA	50,000 hours
LED	Green	20	2 to 4 W	820mA	50,000 hours
LED	Blue	20	2 to 4 W	820mA	50,000 hours
LED	Amber	12	2 to 4 W	820mA	50,000 hours
LED	Lime	8	2 to 4 W	820mA	50,000 hours

Photometrics

Strobe Rate	Beam Angle	Field Angle	Illuminance @ 5 m
0 to 20 Hz	40° x 57°	67° x 81°	310 lux

Thermal

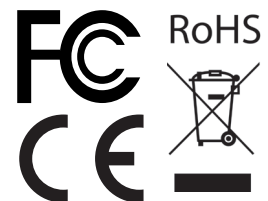
Maximum External Temperature	Cooling System
113 °F (45 °C)	Convection

DMX

I/O Connector	Channel Range
3- or 5-pin XLR	3, 4, 5, 6, 8, 9, 10, 15, 17, 19, 20, or 31

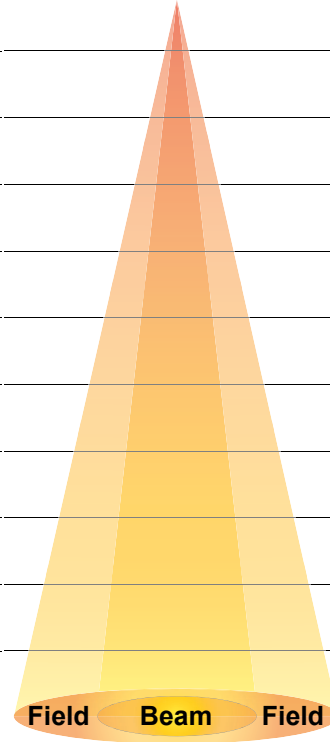
Ordering

Product Name	Item Code	UPC Number
Ovation C-805FC	01031218	781462215668

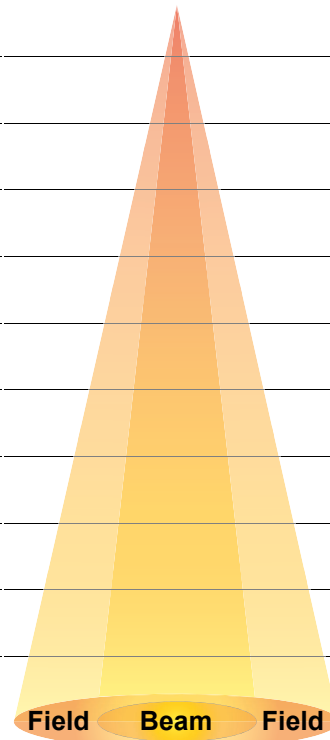


Photometric Charts

			Ovation C-805FC (Imperial)
Distance	Beam Diameter	Field Diameter	Footcandle
15 ft	10.92 x 16.29 ft	19.86 x 25.62 ft	34
20 ft	14.56 x 21.72 ft	26.48 x 34.16 ft	19
30 ft	21.84 x 32.58 ft	39.71 x 51.24 ft	9
40 ft	29.12 x 43.44 ft	52.95 x 68.33 ft	5
50 ft	36.40 x 54.30 ft	66.19 x 85.41 ft	3
75 ft	54.60 x 81.44 ft	99.28 x 128.11 ft	1
100 ft	72.79 x 108.59 ft	132.38 x 170.82 ft	1
125 ft	90.99 x 135.74 ft	165.47 x 213.52 ft	0
150 ft	109.19 x 162.89 ft	198.57 x 256.22 ft	0



			Ovation C-805FC (Metric)
Distance	Beam Diameter	Field Diameter	Lux
1 m	0.73 x 1.09 m	1.32 x 1.71 m	7,750
2 m	1.46 x 2.17 m	2.65 x 3.42 m	1,938
5 m	3.64 x 5.43 m	6.62 x 8.54 m	310
8 m	5.82 x 8.69 m	10.59 x 13.67 m	121
10 m	7.28 x 10.86 m	13.24 x 17.08 m	78
15 m	10.92 x 16.29 m	19.86 x 25.62 m	34
20 m	14.56 x 21.72 m	26.48 x 34.16 m	19
25 m	18.20 x 27.15 m	33.09 x 42.70 m	12
30 m	21.84 x 32.58 m	39.71 x 51.24 m	9



Returns

Returns

Send the product prepaid, in the original box, and with the original packing and accessories. Chauvet will not issue call tags.

Call Chauvet and request a Return Merchandise Authorization (RMA) number before shipping the product. Be prepared to provide the model number, serial number, and a brief description of the cause(s) for the return.

To submit a service request online, go to www.chauvetprofessional.com/service-request.

Clearly label the package with an RMA number. Chauvet will refuse any product returned without an RMA number.



Write the RMA number on a properly affixed label. DO NOT write the RMA number directly on the box.

Once you have the RMA number, provide the following information on a piece of paper and place it inside the box:

- Your name
- Your address
- Your phone number
- RMA number
- A brief description of the problem

Be sure to pack the product properly. Any shipping damage resulting from inadequate packaging will be your responsibility. FedEx packing or double-boxing are recommended.



Chauvet reserves the right to use its own discretion to repair or replace returned product(s).

Contact Us

General Information	Technical Support
Chauvet World Headquarters	
Address: 5200 NW 108th Ave. Sunrise, FL 33351 Voice: (954) 577-4455 Fax: (954) 929-5560 Toll Free: (800) 762-1084	Voice: (844) 393-7575 Fax: (954) 756-8015 Email: chauvetcs@chauvetlighting.com Website: www.chauvetprofessional.com
Chauvet Europe Ltd	
Address: Unit 1C Brookhill Road Industrial Estate Pinxton, Nottingham, UK NG16 6NT Voice: +44 (0) 1773 511115 Fax: +44 (0) 1773 511110	Email: UKtech@chauvetlighting.eu Website: www.chauvetprofessional.eu
Chauvet Europe BVBA	
Address: Stokstraat 18 9770 Kruishoutem Belgium Voice: +32 9 388 93 97	Email: BNLtech@chauvetlighting.eu Website: www.chauvetprofessional.eu
Chauvet France	
Address: 3, Rue Ampère 91380 Chilly-Mazarin France Voice: +33 1 78 85 33 59	Email: FRtech@chauvetlighting.fr Website: www.chauvetprofessional.eu
Chauvet Germany	
Address: Bruno-Bürgel-Str. 11 28759 Bremen Germany Voice: +49 421 62 60 20	Email: DEtech@chauvetlighting.de Website: www.chauvetprofessional.eu
Chauvet Mexico	
Address: Av. de las Partidas 34 - 3B (Entrance by Calle 2) Zona Industrial Lerma Lerma, Edo. de México, CP 52000 Voice: +52 (728) 690-2010	Email: servicio@chauvet.com.mx Website: www.chauvetprofessional.mx

Visit the applicable website above to verify our contact information and instructions to request support. Outside the US, UK, Ireland, Benelux, France, Germany, or Mexico, contact the dealer of record.