

OVATION

CYC 3 FC

User Manual



Model ID: OVATIONCYC3FC

**CHAUVET**
PROFESSIONAL

Edition Notes

The Ovation CYC 3 FC User Manual includes a description, safety precautions, installation, programming, operation and maintenance instructions for the Ovation CYC 3 FC as of the release date of this edition.

Trademarks

CHAUVET, Chauvet Professional, the Chauvet logo, and Ovation are registered trademarks or trademarks of Chauvet & Sons, LLC (d/b/a Chauvet and Chauvet Lighting) in the United States and other countries. Other company and product names and logos referred to herein may be trademarks of their respective companies.

Copyright Notice

The works of authorship contained in this manual, including, but not limited to, all design, text and images are owned by Chauvet.

© **Copyright 2023 Chauvet & Sons, LLC. All rights reserved.**

Electronically published by Chauvet in the United States of America.

Manual Use

Chauvet authorizes its customers to download and print this manual for professional information purposes only. Chauvet expressly prohibits the usage, copy, storage, distribution, modification, or printing of this manual or its content for any other purpose without written consent from Chauvet.

Document Printing

For best results, print this document in color, on letter size paper (8.5 x 11 in), double-sided. If using A4 paper (210 x 297 mm), configure the printer to scale the content accordingly.

Intended Audience

Any person installing, operating, and/or maintaining this product should completely read through the guide that shipped with the product, as well as this manual, before installing, operating, or maintaining this product.

Disclaimer

Chauvet believes that the information contained in this manual is accurate in all respects. However, Chauvet assumes no responsibility and specifically disclaims any and all liability to any party for any loss, damage or disruption caused by any errors or omissions in this document, whether such errors or omissions result from negligence, accident or any other cause. Chauvet reserves the right to revise the content of this document without any obligation to notify any person or company of such revision, however, Chauvet has no obligation to make, and does not commit to make, any such revisions. Download the latest version from www.chauvetprofessional.com.

Document Revision

This Ovation CYC 3 FC User Manual is the 1st edition of this document. Go to www.chauvetprofessional.com for the latest version.

TABLE OF CONTENTS

- 1. Before You Begin** 1
 - What Is Included 1
 - Claims 1
 - Manual Conventions 1
 - Symbols 1
 - Expected LED Lifespan..... 1
 - Safety Notes..... 2
 - Personal Safety..... 2
 - Mounting and Rigging 2
 - Power and Wiring..... 2
 - Operation 2
- 2. Introduction** 3
 - Description 3
 - Features 3
 - Product Overview 3
 - Product Dimensions 4
- 3. Setup** 5
 - AC Power 5
 - AC Plug 5
 - Replacing the Fuse 5
 - Power Linking..... 5
 - DMX Linking..... 6
 - DMX Personalities..... 6
 - Master/Slave Connectivity..... 6
 - Remote Device Management (RDM)..... 6
 - USB Software Update 6
 - Mounting 7
 - Orientation..... 7
 - Rigging 7
 - Procedure..... 7
- 4. Operation** 8
 - Control Panel Operation..... 8
 - Control Options 8
 - Programming..... 8
 - Menu Map 9
 - Configuration (DMX) 12
 - DMX Personalities..... 12
 - DMX Control..... 12
 - DMX Values 13
 - Virtual Color Wheel 15
 - Virtual Color Wheel Chart 15
 - Color Temperature Chart 16
 - Configuration (Standalone) 16
 - Virtual Color Wheel 16
 - Color Temperature 16
 - Manual Color Mixer 16
 - Color X-Fade Speed 16

Auto Programs	16
Red Shift	17
Master/Slave	17
Dimmer Curve	17
Dimmer Profiles.....	17
White Balance	17
LED Frequency	18
Back Light	18
System Information	18
Temperature.....	18
Factory Reset.....	18
5. Technical Information	19
Product Maintenance	19
6. Technical Specifications	20
Warranty & Returns.....	21
Limited Warranty	21
Returns.....	21
Contact Us	22

Before You Begin

1. Before You Begin

What Is Included

- Ovation CYC 3 FC
- Seetronic Powerkon IP65 power cord
- Omega brackets with mounting hardware
- Quick Reference Guide

Claims

Carefully unpack the product immediately and check the container to make sure all the parts are in the package and are in good condition.





If the box or the contents (the product and included accessories) appear damaged from shipping, or show signs of mishandling, notify the carrier immediately, not Chauvet. Failure to report damage to the carrier immediately may invalidate your claim. In addition, keep the box and contents for inspection.

For other issues, such as missing components or parts, damage not related to shipping, or concealed damage, file a claim with Chauvet within 7 days of delivery.

Manual Conventions

Convention	Meaning
1–512	A range of values
50/60	A set of values of which only one can be chosen
<SET>	A button on the product's control panel
Settings	A product function or a menu option

Symbols

Symbol	Meaning
	Electrical warning. Not following these instructions may cause electrical damage to the product, accessories, or the user.
	Critical installation, configuration, or operation information. Not following these instructions may make the product not work, cause damage to the product, or cause harm to the operator.
	Important installation or configuration information. The product may not function correctly if this information is not used.
	Useful information.



Any reference to data or power connections in this manual assumes the use of Seetronic Powerkon IP65 cables.



The term “DMX” used throughout this manual refers to the USITT DMX512-A digital data transmission protocol.

FCC Compliance

This device complies with Part 15 Part B of the FCC Rules. Operation is subject to the following two conditions:

1. This device may not cause harmful interference, and
2. This device must accept any interference received, including interference that may cause undesired operation.

Any changes or modifications not expressly approved by the party responsible for compliance could void the user's authority to operate the equipment.

Expected LED Lifespan

Over time, use and heat will gradually reduce LED brightness. Clustered LEDs produce more heat than single LEDs, contributing to shorter lifespans if always used at full intensity. The average LED lifespan is 40,000 to 50,000 hours. To extend LED lifespan, maintain proper ventilation around the product, and limit the overall intensity.

Safety Notes

Read all the following safety notes before working with this product. These notes contain important information about the installation, usage, and maintenance of this product.



This product contains no user-serviceable parts. Any reference to servicing in this User Manual will only apply to properly trained, certified technicians. Do not open the housing or attempt any repairs.



All applicable local codes and regulations apply to proper installation of this product.

Personal Safety

- Avoid direct eye exposure to the light source while the product is on.
- Always disconnect the product from the power source before cleaning or replacing the fuse.
- Always connect the product to a grounded circuit to avoid the risk of electrocution.
- Do not touch the product's housing when operating because it may be very hot.

Mounting and Rigging

- The luminaire is intended for professional use only.
- This product is not intended for permanent installation.
- This product is for indoor use only! To prevent risk of fire or shock, do not expose this product to rain or moisture. (IP20)
- CAUTION: When transferring product from extreme temperature environments, (e.g., cold truck to warm humid ballroom) condensation may form on the internal electronics of the product. To avoid causing a failure, allow product to fully acclimate to the surrounding environment before connecting it to power.
- Mount this product in a location with adequate ventilation, at least 20 in (50 cm) from adjacent surfaces.
- The luminaire should be positioned so that prolonged staring into the luminaire at a distance closer than 7.55 ft (2.3 m) is not expected.
- Make sure there are no flammable materials within 20 cm of this product while it is operating.
- When hanging this product, always secure to a fastening device using a safety cable.
- Never carry the product by the power cord.

Power and Wiring

- Make sure the power cord is not crimped or damaged.
- Always make sure this product is connected to the proper voltage in accordance with the specifications in this manual or on the product's specification label.
- To eliminate unnecessary wear and improve its lifespan, during periods of non-use completely disconnect the product from power via breaker or by unplugging it.
- Never connect this product to a dimmer pack or rheostat.
- Make sure to replace the fuse with another of the same type and rating.
- Never disconnect this product by pulling or tugging on the power cable.
- If the external flexible cable or cord of this luminaire is damaged, it shall be replaced by a special cord or cord exclusively available from the manufacturer or his service agent.
- The light source contained in this luminaire shall only be replaced by the manufacturer or his service agent or a similar qualified person.

Operation

- Do not operate this product if there is damage on the housing, lenses, or cables. Have the damaged parts replaced by an authorized technician at once.
- Do not cover the ventilation slots when operating to avoid internal overheating.
- The maximum ambient temperature is 113 °F (45 °C). Do not operate the product at higher temperatures.
- In the event of a serious operation problem, stop using this product immediately!



If your Chauvet product requires service, contact Chauvet Technical Support.

2. Introduction

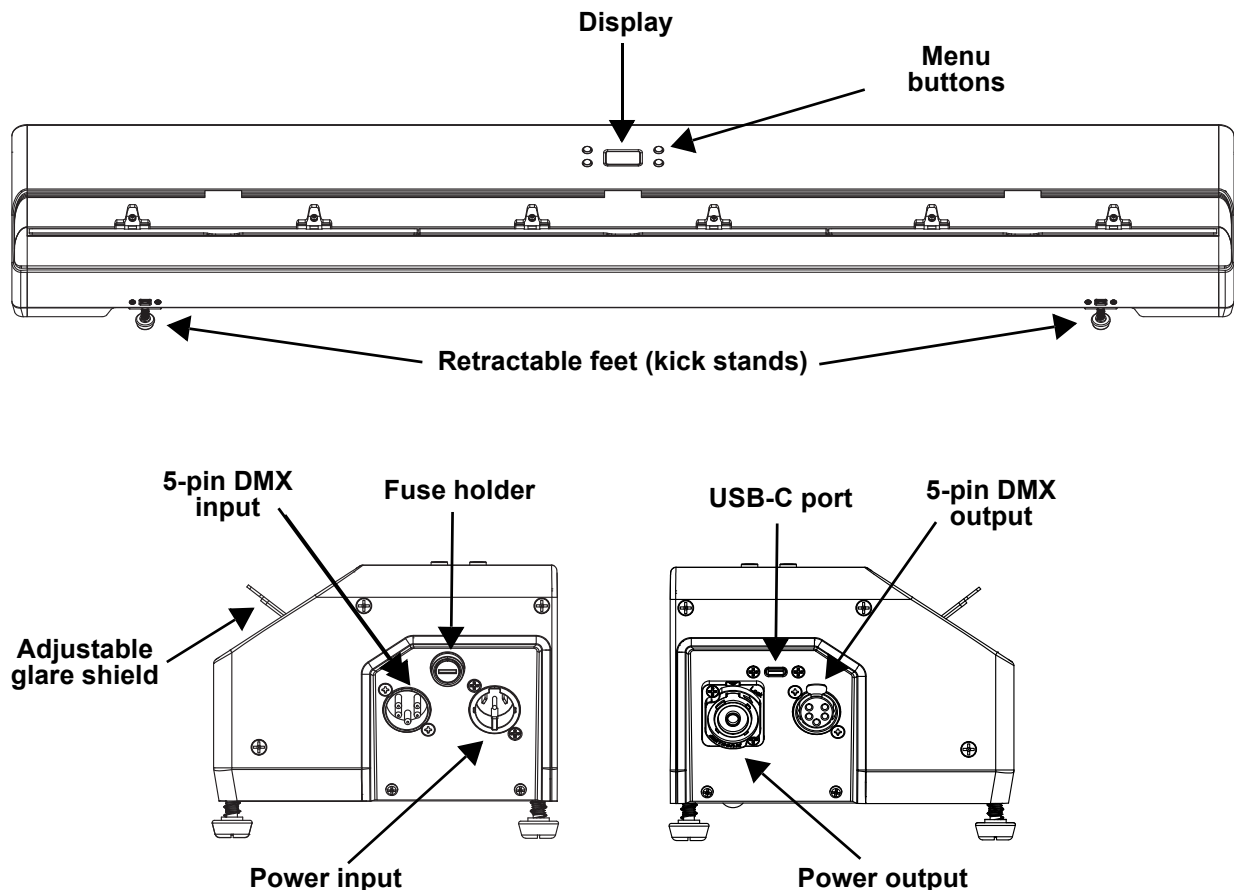
Description

Ovation CYC 3 FC goes to new lengths to deliver a homogeneous field of light with significant reach. Its sleek low profile blends discreetly into stage sets as either a cyc wash or footlight, and pairs perfectly with the CYC 1 FC to easily extend coverage with seamless consistency in interchangeable configurations. Completely convection cooled, the unit is ideal for applications where silent operation is critical. Ovation CYC 3 FC features the advanced RGBAL color-mixing system found in our other full-color Ovation units to render nearly any color with tremendous realism and saturation. Given the low profile of the unit, it can also be used effectively as a footlight. This versatile fixture includes omega brackets and an integrated kick stand and included glare shield that can adjust and shape its throw.

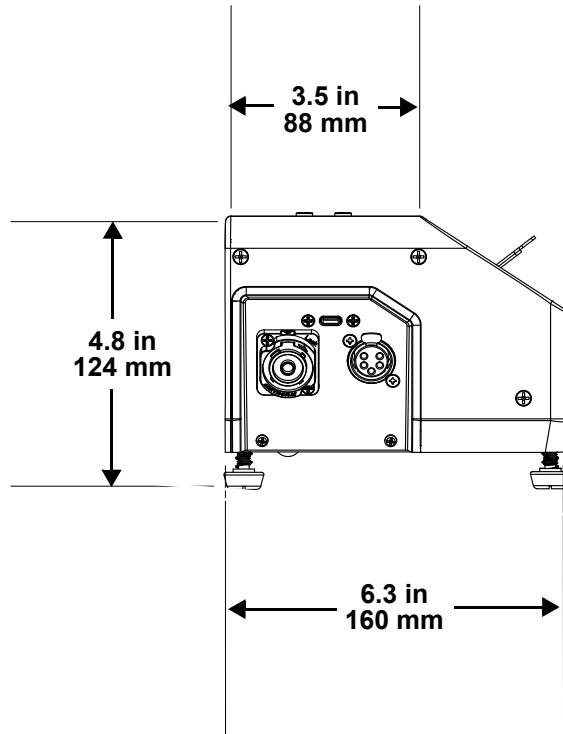
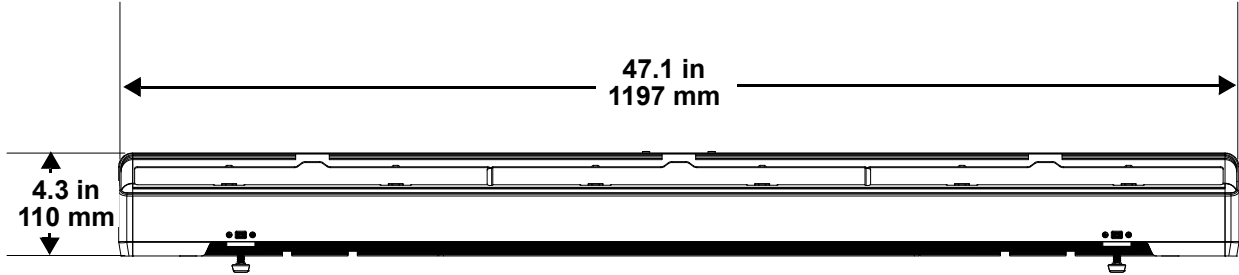
Features

- Low-profile and lightweight cyclorama wash or footlight fixture, in a 1 m length to complement the Ovation CYC 1 FC
- Display a full spectrum of hues with RGBAL LEDs for theatre, film, and production
- Theatre-ready with 16-bit dimming of master dimmer and individual colors
- Beam modification with built-in "kick stands" and adjustable glare shield
- Flat, even field of light with superior color mixing
- Virtual Color Wheel with color matched to popular gel colors and color temperature presets
- RDM (Remote Device Management) for added flexibility
- Adjustable PWM (Pulse Width Modulation) to avoid flickering on camera
- Silent operation for use in studio and theatre applications

Product Overview



Product Dimensions



3. Setup

AC Power

Each Ovation CYC 3 FC has an auto-ranging power supply that works with an input voltage range of 100 to 240 VAC, 50/60 Hz. To determine the power requirements for each Ovation CYC 3 FC, refer to the label affixed to the product or to the [Technical Specifications](#) chart in this manual.

The listed current rating indicates the maximum current draw during normal operation. For more information, download Sizing Circuit Breakers from the Chauvet website: www.chauvetprofessional.com.



- **Always connect the product to a protected circuit (fuse or circuit breaker). Make sure the product has an appropriate electrical ground to avoid the risk of electrocution or fire.**
- **To eliminate unnecessary wear and improve its lifespan, during periods of non-use completely disconnect the product from power via breaker or by unplugging it.**



Never connect the product to a rheostat (variable resistor) or dimmer circuit, even if the rheostat or dimmer channel serves only as a 0 to 100% switch.

AC Plug

The Ovation CYC 3 FC comes with a power input cord terminated with a Seetronic Powerkon IP65 connector on one end and an Edison plug on the other end (U.S. market). If the power input cord that came with the product has no plug or if the plug needs to be changed, use the table below to wire the new plug.

Connection	Wire (U.S.)	Wire (Europe)	Screw Color
AC Live	Black	Brown	Yellow or Brass
AC Neutral	White	Blue	Silver
AC Ground	Green/Yellow	Green/Yellow	Green

Replacing the Fuse

1. Disconnect the product from power.
2. Using a flat head screwdriver, unscrew the fuse holder cap from the housing.
3. Remove blown fuse and replace with a good fuse of the same type and rating.
4. Screw the fuse holder cap back in place and reconnect power.

Power Linking

It is possible to power link up to 3 Ovation CYC 3 FC products at 100 V, up to 4 products at 120 V, 6 products at 208 V, or up to 7 products at 230 V or 240 V. The Ovation CYC 3 FC comes with a power input cord. Power-linking cables are available for purchase from Chauvet.

DMX Linking

The Ovation CYC 3 FC can be linked to a DMX controller using a 5-pin DMX connection. If using other DMX-compatible products with this product, each can be controlled individually with a single DMX controller.

DMX Personalities

The Ovation CYC 3 FC uses a 5-pin DMX data connection for its 11 DMX personalities: **1Ch, 3Ch, 5Ch, 7Ch, 10Ch, 12Ch, 13Ch, 16Ch, 17Ch, 33Ch, and HSV.**

- Refer to the [Introduction](#) for a brief description of each DMX personality.
- Refer to the [Operation](#) chapter to learn how to configure the Ovation CYC 3 FC to work in these personalities.
- The [DMX Values](#) section provides detailed information regarding the DMX personalities.



For more information about DMX standards, Master/Slave connectivity, or the DMX cables needed to link this product to a DMX controller, download the DMX Primer from the Chauvet website: www.chauvetprofessional.com.

Master/Slave Connectivity

The Master/Slave mode allows a Ovation CYC 3 FC (the master) to control one or more Ovation CYC 3 FC products (the slaves) without a DMX controller. One Ovation CYC 3 FC becomes the master when running in auto show or VCW modes.

Each slave's control panel must be configured to operate in Slave mode. During Master/Slave operation, the slaves will operate in unison with the master.



DO NOT connect a DMX controller to products operating in Master/Slave mode. The DMX controller signals may interfere with the signals from the master.



- The [Operation](#) section of this manual provides detailed instructions on how to configure the master and slaves.
- For more information about DMX standards or the DMX cables needed to link this product to a DMX controller, download the DMX Primer from the Chauvet website: www.chauvetprofessional.com.

Remote Device Management (RDM)

Remote Device Management, or RDM, is a standard for allowing DMX-enabled devices to communicate bi-directionally along existing DMX cabling. Check the DMX controller's User Manual or with the manufacturer, as not all DMX controllers have this capability. The Ovation CYC 3 FC supports RDM protocol that allows feedback to make changes to menu map options.

USB Software Update

The Ovation CYC 3 FC allows for software update through USB using the built-in USB port. To update the software using USB flash drive, do the following:

1. Power on the fixture and plug the flash drive into the USB port.
2. Once the flash drive has been detected, the message "Upgrade Firmware" will be displayed. Press **<ENTER>**.
 - If a different message appears on the display, search for the updated software in the Main Menu (**Update Firmware**) and select from **Only This Unit**, **Multiple Units**, or **Other Fixture Type**. A list of the software update files will be displayed.
3. Select the file that needs to be uploaded. The message "Are you sure?" will be displayed. Press **<ENTER>**.
4. If the selected file is correct, the upgrade will be completed. Restart the fixture.
 - If the selected file is incorrect, the upgrade will fail, and the display will go back to the main interface. Repeat steps 1-3 using the correct file.



- The "Other Fixture Type" option can only be selected for connected products compatible with the Upload 03 (the first 2 digits of the item code must be 03).
- The product's USB port supports up to 32GB capacity and only works with FAT32 file format.

Mounting

Before mounting the product, read and follow the safety recommendations indicated in the Safety Notes. For CHAUVET Professional line of mounting clamps, go to www.trusst.com/products.

Orientation

Always mount this product in a safe position, making sure there is adequate room for ventilation, configuration, and maintenance.

Rigging

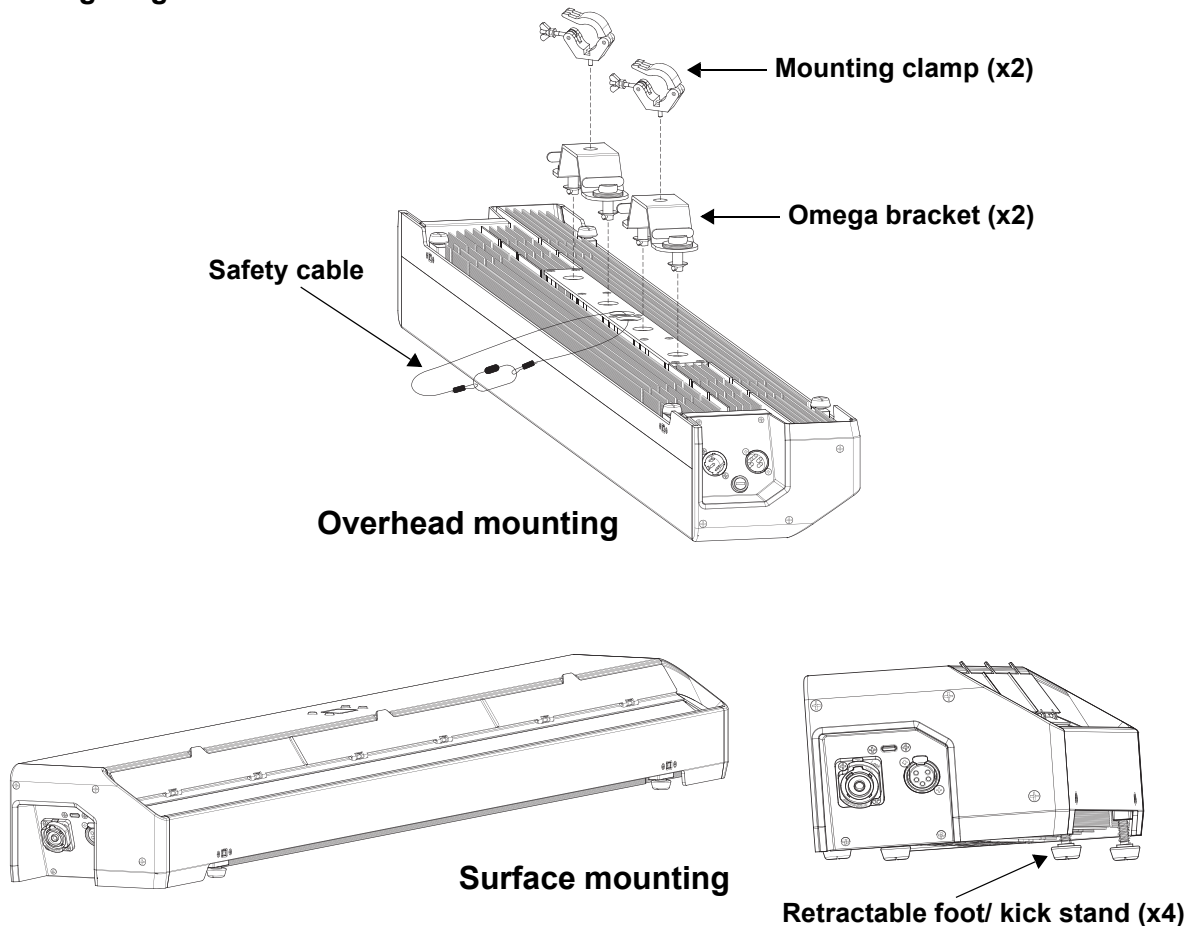
Chauvet recommends using the following general guidelines when mounting this product:

- Before deciding on a location for the product, make sure there is easy access to the product for maintenance and programming purposes.
- Make sure that the structure onto which the product will be mounted can support the product's weight (see the [Technical Specifications](#) for weight information).
- When mounting the product overhead, always use a safety cable. Mount the product securely to a rigging point, whether an elevated platform or a truss.
- When rigging the product onto a truss, use a mounting clamp of appropriate weight capacity.
- When power linking multiple products, mount the products close enough for power-linking cables to reach.
- The bracket adjustment knobs allow for directional adjustment when aiming the product to the desired angle. Only loosen or tighten the bracket knobs manually. Using tools could damage the knobs.

Procedure

The Ovation CYC 3 FC comes with a double-bracketed yoke to which mounting clamps can be attached for hanging or simply use as a floor stand. Mounting clamps are sold separately. Make sure the clamps are capable of supporting the weight of this product. Use at least one mounting point per product. For the CHAUVET Professional line of mounting clamps, go to www.trusst.com/products.

Mounting Diagram



4. Operation

Control Panel Operation

Button	Function
<MENU>	Exits from the current menu or function
<ENTER>	Enables the currently displayed menu or sets the currently selected value in to the current function
<UP>	Navigates upward through the menu list or increases the numeric value when in a function
<DOWN>	Navigates downward through the menu list or decreases the numeric value when in a function

Control Options

Set the Ovation CYC 3 FC starting address in the 001-512 DMX range. This enables control of up to 7 products in the 33-channel personality.

Programming

Refer to the Menu Map to understand the menu options. The menu map shows the main level and a variable number of programming levels for each option.

- To go to the desired main level, press **<MENU>** repeatedly until the option shows on the display. Press **<ENTER>** to select.
- To select an option or value within the current programming level, press **<UP>** or **<DOWN>** until the option shows on the display. Press **<ENTER>** to select.
- Press **<MENU>** repeatedly to exit to the previous main level.

Menu Map

Refer to the Ovation CYC 3 FC product page on www.chauvetprofessional.com for the latest menu map.

Main Level	Programming Levels		Description	
DMX Address	001–512*		Selects starting address (*highest channel restricted to personality chosen)	
DMX Channel	1Ch	Virtual Color Wheel	----- 1-channel: dimmer, See Virtual Color Wheel Chart	
		Color Temperature	----- See Color Temperature Chart	
		Manual Color Mixer	Red	000–255 Combine red, green, blue, amber, and lime to make custom color (0–100%)
			Green	
			Blue	
	Amber			
	Lime			
	3Ch		3-channel: Dimmer, virtual color wheel, color temperature	
	5Ch		5-channel: RGBAL	
	7Ch		7-channel: Dimmer, RGBAL, strobe	
	10Ch		10-channel: 16-bit dimmer, RGBAL, strobe, virtual color wheel, color temperature	
	12Ch		12-channel: Dimmer, RGBAL, strobe, virtual color wheel, color temperature, auto programs, auto speed, control	
	13Ch		13-channel: 16-bit dimmer, 16-bit RGBAL, strobe	
	16Ch		16-channel: 16-bit dimmer, 16-bit RGBAL, strobe, virtual color wheel, color temperature, control	
17Ch		17-channel: Dimmer, 3-cell RGBAL, strobe		
33Ch		33-channel: 16-bit dimmer, 16-bit 3-cell RGBAL, strobe		
HSV		3-channel: HSV control		
Virtual Color Wheel	Virtual Color Wheel	C3050 - Md Yellow	Dimmer 000–255 Virtual Color Wheel simulates the output of each gel color. Refer to the Virtual Color Wheel Chart section for specific values.	
		C3040 - Lt Yellow		
		C3240 - Amb Yellow		
		C2340 - VLt Amber		
		C2040 - Lt Amber		
		C2050 - Md Amber		
		C2060 - Dk Amber		
		C1050 - Lt Red		
		C1080 - Md Red		
		C1020 - NC Pink		
		C1030 - Md Pink		
		C1630 - Dk Pink		
		C1250 - Md Red Amber		
		C1060 - Dk Red Amber		
		C1650 - Magenta		
		C6170 - Dk Magenta		
		C6020 - Lt Lavender		
		C5030 - Lt Blue		
		C5020 - VLt Blue		
		C5430 - Lt Blue 2		
C5070 - Blue				

Main Level	Programming Levels		Description				
Virtual Color Wheel (cont.)	Virtual Color Wheel (cont.)	C5050 - Md Blue	Dimmer 000–255	Virtual Color Wheel simulates the output of each gel color. Refer to the Virtual Color Wheel Chart section for specific values.			
		C5060 - Dk Blue					
		C5690 - Indigo					
		C5080 - VDk Blue					
		C5081 - VDk Blue 2					
		C4370 - Yel Green					
		C4070 - Green					
		C4550 - Turquoise					
		C4560 - Aqua					
		C4570 - Blue Green					
Virtual Color Wheel (cont.)	Color Temperature	2800K	Dimmer 000–255	Preset white color temperatures. Emulates a tungsten lamp at the specified color temperature. Refer to the Color Temperature Chart section for specific values.			
		3000K					
		3200K					
		3500K					
		4000K					
		4500K					
		5000K					
		5600K					
		6000K					
6500K							
Manual Color Mixer	Manual Color Mixer	Red	000–255	Combine red, green, blue, amber, and lime to make a custom color (0–100%)			
		Green					
		Blue					
		Amber					
		Lime					
Color X-Fade Speed	Color X-Fade Speed	Off	000–255	Virtual Color Wheel cross-fade off			
		X-Fade Speed 1		Virtual Color Wheel cross-fade speed, fast (1) to slow (4)			
		X-Fade Speed 2					
		X-Fade Speed 3					
		X-Fade Speed 4					
Auto Show	Auto 1 Auto 2 Auto 3 Auto 4 Auto 5	001–100	001–100	Selects automatic programs and auto program speed			
					Red Shift	On	Turns on or off Red Shift (amber LEDs imitate lamp when dimming)
						Off	
					Master/Slave	Master	Master mode
						Slave	Slave mode
Dimmer Curve	Dimmer Curve	S Curve	Set the dimmer curve				
		Linear					
		Square					
		Inverse Square					
Dimmer Mode	Dimmer Mode	Off	Linear dimmer				
		Dimmer 1	Fast dimmer curve				
		Dimmer 2	Medium dimmer curve				
		Dimmer 3	Slow dimmer curve				

Main Level	Programming Levels		Description
White Balance	Manual	Off	Uses factory default white setting
		Red	Sets red LED maximum value
		Green	Sets green LED maximum value
		Blue	Sets blue LED maximum value
		Amber	Sets amber LED maximum value
		Lime	Sets lime LED maximum value
LED Frequency	600Hz		Selects the PWM output frequency
	1200Hz		
	2000Hz		
	4000Hz		
	6000Hz		
	25KHz		
Back Light	10S		Turns off display backlight after 10 seconds of inactivity
	30S		Turns off display backlight after 30 seconds of inactivity
	2Min		Turns off display backlight after 2 minutes of inactivity
	Always On		Display backlight always on
Information	Fixture Hours	___ H	Shows total product hours
	LED Hours	___ H	Shows total LED hours
	Version	V_ _	Shows installed software version
	UID	-----	Shows product UID
Temperature	Temp A	__ °C	Shows current product temperatures
	Temp B	__ °C	
	Temp C	__ °C	
Upgrade Firmware	Only This Fixture	----- .CHL ...	Selects an update file for this product, or shows "No such file!"
	Multiple Fixture	----- .CHL ...	Selects an update file for this and connected Ovation CYC 3 FC products, or shows "No such file!"
		----- .CHL ...	
	Other Fixture Type	----- .CHL ...	Selects an update file for other connected products, or shows "No such file!"
Factory Reset	No		Reset to factory defaults
	Yes		

Configuration (DMX)

Use DMX configurations to operate the product with a DMX controller.

DMX Personalities

This setting allows users to choose a particular DMX personality.

1. Go to the **DMX Channel** main level.
2. Select the desired personality (**1Ch, 3Ch, 5Ch, 7Ch, 10Ch, 12Ch, 13Ch, 16Ch, 17Ch, 33Ch, or HSV**).



- See the [DMX Control](#) section for the highest starting address available for each personality.
- Make sure that the starting addresses on the various products do not overlap due to the new personality setting.

DMX Control

In this mode, each product will respond to a unique starting address from the DMX controller. All products with the same starting address will respond in unison.

1. Select a DMX personality as shown in [DMX Personalities](#).
2. Set the running mode:
 - a. Go to the **Master/Slave** main level
 - b. Select the **Master** programming level
3. Set the starting address:
 - a. Go to **Start Address** main level.
 - b. Select the starting address (**001–512**).

The highest recommended starting address for each DMX personality is as follows:

DMX Personality	Starting Address
33Ch	480
17Ch	496
16Ch	497
13Ch	500
12Ch	501
10Ch	503
7Ch	506
5Ch	508
3Ch	510
1Ch	512
HSV	510

Operation

DMX Values

33Ch / 17Ch / 16Ch / 13Ch / 12Ch

12Ch	13Ch	16Ch	17Ch	33Ch	Function	Value	Percent/Setting
1	1	1	1	1	Dimmer	000 ⇔ 255	0–100%
–	2	2	–	2	Dimmer Fine	000 ⇔ 255	0–100%
2	3	3	–	–	Red	000 ⇔ 255	0–100%
–	4	4	–	–	Red Fine	000 ⇔ 255	0–100%
3	5	5	–	–	Green	000 ⇔ 255	0–100%
–	6	6	–	–	Green Fine	000 ⇔ 255	0–100%
4	7	7	–	–	Blue	000 ⇔ 255	0–100%
–	8	8	–	–	Blue Fine	000 ⇔ 255	0–100%
5	9	9	–	–	Amber	000 ⇔ 255	0–100%
–	10	10	–	–	Amber Fine	000 ⇔ 255	0–100%
6	11	11	–	–	Lime	000 ⇔ 255	0–100%
–	12	12	–	–	Lime Fine	000 ⇔ 255	0–100%
–	–	–	2	3	Red 1	000 ⇔ 255	0–100%
–	–	–	–	4	Red Fine 1	000 ⇔ 255	0–100%
–	–	–	3	5	Green 1	000 ⇔ 255	0–100%
–	–	–	–	6	Green Fine 1	000 ⇔ 255	0–100%
–	–	–	4	7	Blue 1	000 ⇔ 255	0–100%
–	–	–	–	8	Blue Fine 1	000 ⇔ 255	0–100%
–	–	–	5	9	Amber 1	000 ⇔ 255	0–100%
–	–	–	–	10	Amber Fine 1	000 ⇔ 255	0–100%
–	–	–	6	11	Lime 1	000 ⇔ 255	0–100%
–	–	–	–	12	Lime Fine 1	000 ⇔ 255	0–100%
–	–	–	7	13	Red 2	000 ⇔ 255	0–100%
–	–	–	–	14	Red Fine 2	000 ⇔ 255	0–100%
–	–	–	8	15	Green 2	000 ⇔ 255	0–100%
–	–	–	–	16	Green Fine 2	000 ⇔ 255	0–100%
–	–	–	9	17	Blue 2	000 ⇔ 255	0–100%
–	–	–	–	18	Blue Fine 2	000 ⇔ 255	0–100%
–	–	–	10	19	Amber 2	000 ⇔ 255	0–100%
–	–	–	–	20	Amber Fine 2	000 ⇔ 255	0–100%
–	–	–	11	21	Lime 2	000 ⇔ 255	0–100%
–	–	–	–	22	Lime Fine 2	000 ⇔ 255	0–100%
–	–	–	12	23	Red 3	000 ⇔ 255	0–100%
–	–	–	–	24	Red Fine 3	000 ⇔ 255	0–100%
–	–	–	13	25	Green 3	000 ⇔ 255	0–100%
–	–	–	–	26	Green Fine 3	000 ⇔ 255	0–100%
–	–	–	14	27	Blue 3	000 ⇔ 255	0–100%
–	–	–	–	28	Blue Fine 3	000 ⇔ 255	0–100%
–	–	–	15	29	Amber 3	000 ⇔ 255	0–100%
–	–	–	–	30	Amber Fine 3	000 ⇔ 255	0–100%
–	–	–	16	31	Lime 3	000 ⇔ 255	0–100%
–	–	–	–	32	Lime Fine 3	000 ⇔ 255	0–100%
7	13	13	17	33	Strobe	000 ⇔ 010 011 ⇔ 255	No function Strobe, slow to fast
8	–	14	–	–	Virtual Color Wheel	000 ⇔ 255	See the Virtual Color Wheel Chart
9	–	15	–	–	Color Temperature	000 ⇔ 255	See the Color Temperature Chart

12Ch	13Ch	16Ch	17Ch	33Ch	Function	Value	Percent/Setting
10	-	-	-	-	Auto Program	000 ⇔ 010	No function
						011 ⇔ 060	Auto 1
						061 ⇔ 110	Auto 2
						111 ⇔ 160	Auto 3
						161 ⇔ 210	Auto 4
						211 ⇔ 255	Auto 5 (Auto 1–4)
11	-	-	-	-	Auto Speed	000 ⇔ 255	Auto speed, slow to fast
12	-	16	-	-	Control (hold for 3 seconds)	000 ⇔ 007	No function
						008 ⇔ 015	Dimmer reset
						016 ⇔ 023	Red shift on
						024 ⇔ 031	Red shift off
						032 ⇔ 039	S-curve dimmer
						040 ⇔ 047	Linear dimmer
						048 ⇔ 055	Square dimmer curve
						056 ⇔ 063	Inverse square dimmer curve
						064 ⇔ 071	Dimmer speed mode OFF
						072 ⇔ 079	Dimmer speed 1 (fastest)
						080 ⇔ 087	Dimmer speed 2
						088 ⇔ 095	Dimmer speed 3 (slowest)
						096 ⇔ 127	Reserved for future use
						128 ⇔ 135	Virtual Color Wheel cross-fade off
						136 ⇔ 143	Virtual Color Wheel cross-fade speed 1 (fastest)
						144 ⇔ 151	Virtual Color Wheel cross-fade speed 2
						152 ⇔ 159	Virtual Color Wheel cross-fade speed 3
						160 ⇔ 167	Virtual Color Wheel cross-fade speed 4 (slowest)
168 ⇔ 255	Reserved for future use						

10Ch / 7Ch / 5Ch / 3Ch / 1Ch / HSV

HSV	1Ch	3Ch	5Ch	7Ch	10Ch	Function	Value	Percent/Setting
-	1	1	-	1	1	Dimmer	000 ⇔ 255	0–100%
-	-	-	-	-	2	Dimmer Fine	000 ⇔ 255	0–100%
-	-	-	1	2	3	Red	000 ⇔ 255	0–100%
-	-	-	2	3	4	Green	000 ⇔ 255	0–100%
-	-	-	3	4	5	Blue	000 ⇔ 255	0–100%
-	-	-	4	5	6	Amber	000 ⇔ 255	0–100%
-	-	-	5	6	7	Lime	000 ⇔ 255	0–100%
-	-	-	-	7	8	Strobe	000 ⇔ 010 011 ⇔ 255	No function Strobe, slow to fast
-	-	2	-	-	9	Virtual Color Wheel	000 ⇔ 255	See the Virtual Color Wheel Chart
-	-	3	-	-	10	Color Temperature	000 ⇔ 255	See the Color Temperature Chart
1	-	-	-	-	-	Hue	000 ⇔ 255	0–100%
2	-	-	-	-	-	Saturation	000 ⇔ 255	0–100%
3	-	-	-	-	-	Value	000 ⇔ 255	0–100%

Operation

Virtual Color Wheel

The Ovation CYC 3 FC includes a feature called the Virtual Color Wheel (VCW). This feature is available as a standalone control mode for manual use and as a control channel in select DMX personalities. More than 30 premixed colors, custom blended by Chauvet engineers, are available to call up for easier programming. The DMX values used to mix these colors are provided below. The overall intensity of the Ovation fixture can be adjusted to more closely replicate familiar colors. A chart is available on Chauvet website www.chauvetprofessional.com to compare Chauvet's pre-mixed colors with popular gel colors. This chart is for comparison purposes only and is not a representation that Chauvet pre-mixed colors match any of the gel colors listed.

Virtual Color Wheel Chart

DMX Value	Display Readout	Red Value	Green Value	Blue Value	Amber Value	Lime Value
000 ⇔ 005	--	000	000	000	000	000
006 ⇔ 013	C3050 - Md Yellow	246	195	028	176	212
014 ⇔ 021	C3040 - Lt Yellow	251	175	043	203	203
022 ⇔ 028	C3240 - Amb Yellow	227	185	002	235	191
029 ⇔ 035	C2340 - VLt Amber	255	143	064	085	175
036 ⇔ 043	C2040 - Lt Amber	255	169	063	219	070
044 ⇔ 051	C2050 - Md Amber	255	162	006	244	136
052 ⇔ 059	C2060 - Dk Amber	250	126	031	243	119
060 ⇔ 067	C1050 - Lt Red	255	080	038	050	029
068 ⇔ 075	C1080 - Md Red	215	005	033	002	002
076 ⇔ 083	C1020 - NC Pink	255	129	105	250	222
084 ⇔ 091	C1030 - Md Pink	255	064	104	217	238
092 ⇔ 099	C1630 - Dk Pink	255	068	106	245	252
100 ⇔ 107	C1250 - Md Red Amber	255	049	046	164	108
108 ⇔ 115	C1060 - Dk Red Amber	255	015	058	167	000
116 ⇔ 121	C1650 - Magenta	255	020	105	255	132
122 ⇔ 130	C6170 - Dk Magenta	255	000	106	009	101
131 ⇔ 138	C6020 - Lt Lavender	255	202	117	017	227
139 ⇔ 146	C5030 - Lt Blue	177	255	169	219	230
147 ⇔ 154	C5020 - VLt Blue	190	225	152	238	235
155 ⇔ 162	C5430 - Lt Blue 2	101	255	153	218	137
163 ⇔ 170	C5070 - Blue	048	175	155	000	124
171 ⇔ 178	C5050 - Md Blue	127	187	138	081	136
179 ⇔ 186	C5060 - Dk Blue	082	217	218	154	219
187 ⇔ 194	C5690 - Indigo	100	000	160	000	000
195 ⇔ 202	C5080 - VDk Blue	055	150	150	000	020
203 ⇔ 210	C5081 - VDk Blue 2	015	100	092	035	030
211 ⇔ 218	C4370 - Yel Green	020	123	025	049	051
219 ⇔ 226	C4070 - Green	047	094	032	043	039
227 ⇔ 234	C4550 - Turquoise	091	180	084	123	175
235 ⇔ 242	C4560 - Aqua	063	147	075	094	133
243 ⇔ 250	C4570 - Blue Green	043	170	073	043	087
251 ⇔ 255	--	000	000	000	000	000



The colors above are simulated renditions of the color output produced compared with other similar incandescent products. Chauvet makes no guarantee of the color output accuracy.

Color Temperature Chart

DMX Value	Display Readout	Red Value	Green Value	Blue Value	Amber Value	Lime Value
000 ⇄ 005	--	000	000	000	000	000
006 ⇄ 025	2800K	185	160	90	248	180
026 ⇄ 050	3200K	190	180	102	148	180
051 ⇄ 075	3500K	200	194	111	249	180
076 ⇄ 100	4000K	195	204	122	249	180
101 ⇄ 125	4500K	195	212	132	249	187
126 ⇄ 150	5000K	195	219	140	249	187
151 ⇄ 175	5600K	200	229	148	251	181
176 ⇄ 200	6000K	181	230	152	252	182
201 ⇄ 225	6500K	180	233	157	252	182
226 ⇄ 255	--	000	000	000	000	000



The color temperatures above are simulated renditions of the color output produced compared with a tungsten lamp at the specified color temperature. Chauvet makes no guarantee of the color output accuracy.

Configuration (Standalone)

Use standalone configuration to operate the product without a DMX controller.

Virtual Color Wheel

The Virtual Color Wheel mode allows for preset popular colors RGBAL color mixing without a DMX controller.

1. Go to the **Virtual Color Wheel** main level.
2. Select **Virtual Color Wheel**.
3. Select the desired color from the [Virtual Color Wheel Chart](#).
4. Press **<ENTER>** twice.
5. Select the **Dimmer** value (**000–255**).
6. Press **<ENTER>**.

Color Temperature

The color temperature mode allows for permanent white color temperature presets without a DMX controller.

1. Go to the **Virtual Color Wheel** main level.
2. Select **Color Temperature**.
3. Select the **Dimmer** value (**000–255**).
4. Select the desired color temperature.

Manual Color Mixer

The Manual Color Mixer mode allows for permanent RGBAL color mixing without a DMX controller.

1. Go to the **Virtual Color Wheel** main level.
2. Select **Manual Color Mixer**.
3. Select the desired color (**Red, Green, Blue, Amber, or Lime**).
4. Select the color value (**000–255**).
5. Repeat for the other colors.

Color X-Fade Speed

The Manual Color Mixer mode creates fade transition between colors when using colors in the Virtual Color Wheel or the Color Temperature Chart.

1. Go to the **Virtual Color Wheel** main level.
2. Select **Color X-Fade Speed**.
3. Select **X-Fade Speed 1–4** (from fast to slow) or **Off** (to turn off the fade transition between colors).

Auto Programs

Auto programs allow for dynamic RGBAL color mixing without a DMX controller.

1. Go to the **Auto Show** main level.
2. Select the desired auto (**Auto 1–5**).
3. Select the desired speed (**Speed 001–100**).



The auto programs cannot be edited.

Operation

Red Shift

The Red Shift function allows the light in the fixture to mimic halogen lamp dimming. To enable or disable the Red Shift function:

1. Go to the **Red Shift** main level.
2. Select from **On** (enables Red Shift) or **Off** (disables Red Shift).

Master/Slave

The Master/Slave mode allows a group of Ovation CYC 3 FC products (the slaves) to simultaneously duplicate the output of another Ovation CYC 3 FC (the master) without a DMX controller.

To set each of the slaves:

1. Go to the **Master/Slave** main level.
2. Select **Slave**.

To set the master:

1. Go to the **Master/Slave** main level.
2. Select **Master**.
3. Select an auto program (see [Auto Programs](#) or [Virtual Color Wheel Chart](#)).



- **The master is the one that runs a program whether in Auto Program or VCW modes.**
- **Do not connect a DMX controller to the products configured for Master/Slave operation. The DMX controller may interfere with signals from the master.**
- **The master should be the first product in the daisy chain.**

Dimmer Curve

To set the dimmer curve on the Ovation CYC 3 FC:

1. Go to the **Dimmer Curve** main level.
2. Select the dimmer curve (**S Curve**, **Linear**, **Index Curve**, or **Log Curve**).

Dimmer Profiles

This setting determines how fast the output of the Ovation CYC 3 FC changes when the values of the red, green, blue, amber, lime, and dimmer faders are modified. This setting provides four different options to simulate the dimming curve of an incandescent lighting product.

- Go to the **Dimmer Mode** main level.
- Select a dimmer curve (**OFF**, **Dimmer 1**, **Dimmer 2**, or **Dimmer 3**).



OFF: The output is proportional (linear) to the dimmer and RGBAL channel values.

Dimmer 1-3: The output follows the dimmer and RGBAL channel values based on the corresponding dimmer curve, DIM1 being the fastest.

White Balance

This setting allows for selection of the white balance shown by the Ovation CYC 3 FC when the color setting is **RGBAL** and the DMX controller's red, green, blue, amber, and lime faders are set to **255**.

1. Go to the **White Balance** main level.
2. Select **Manual** to continue to adjust the white balance or **Off** to default to the original factory setting.
3. Select a color (**Red**, **Green**, **Blue**, **Amber** or **Lime**).
4. Select a color value (**125–255**).
5. Repeat for the other colors.



The values of Red, Green, Blue, Amber and Lime configured will define the color temperature shown when the RGBAL faders are set to 255.

LED Frequency

This option changes the Pulse Width Modulation (PWM) frequency of the LEDs on the Ovation CYC 3 FC.

1. Go to the **LED Frequency** main level.
2. Select PWM Frequency (**600Hz**, **1200Hz**, **2000Hz**, **4000Hz**, **6000Hz**, or **25Khz**).

Back Light

This setting allows for the selection of the amount of time the backlight on the Ovation CYC 3 FC's display stays on after the last button is pressed on the control panel.

1. Go to the **Back Light** main level.
2. Select **10S** (10 seconds), **30S** (seconds), **2Min** (2 minutes), or **On** (remains on).

System Information

The information section of the menu displays statistics and the current status of the product's various functions. To view these information sections:

1. Go to the **Information** main level.
2. Select which information to view, from **Fixture Hours** (displays the total number of hours the product has been turned on), **LED Hours** (displays the total number of hours the LEDs have been powered on), **Version** (displays the installed software version), or **UID** (displays the product's UID number).

Temperature

This setting allows the users to view the Ovation CYC 3 FC's current temperature.

1. Go to the **Temperature** main level.
2. Select **Temp A**, **Temp B**, or **Temp C**.

Factory Reset

This option restores the Ovation CYC 3 FC to the original factory settings.

1. Go to the **Factory Setting** main level.
2. Select **Yes** (resets the product configuration to default factory settings) or **No** (cancel).

5. Technical Information

Product Maintenance

To maintain optimum performance and minimize wear, clean this product frequently. Usage and environment are contributing factors in determining the cleaning frequency.

Clean this product at least twice a month. Dust build-up reduces light output performance and can cause overheating. This can lead to reduced light source life and increased mechanical wear.

To clean the product:

1. Unplug the product from power.
2. Wait until the product is at room temperature.
3. Use a vacuum (or dry compressed air) and a soft brush to remove dust collected on the external vents.
4. Clean all transparent surfaces with a mild soap solution, ammonia-free glass cleaner, or isopropyl alcohol.
5. Apply the solution directly to a soft, lint-free cotton cloth or a lens-cleaning tissue.
6. Softly drag any dirt or grime to the outside of the transparent surface.
7. Gently polish the transparent surfaces until they are free of haze and lint.



Always dry the transparent surfaces carefully after cleaning them.

6. Technical Specifications

Dimensions and Weight

Length	Width	Height	Weight
47.13 in (1197 mm)	6.30 in (160 mm)	4.33 in (110 mm)	24.6 lb (11.2 kg)

Note: Dimensions in inches are rounded.

Power

Power Supply Type	Range	Voltage Selection
Switching (internal)	100 to 240 VAC, 50/60 Hz	Auto-ranging

Parameter	100 V, 60 Hz	120 V, 60 Hz	208 V, 60 Hz	230 V, 50 Hz	240 V, 60 Hz
Consumption	351 W	345 W	338 W	334 W	336 W
Operating current	3.56 A	2.93 A	1.77 A	1.64 A	1.61 A
Power-linking current (products)	13.6 A (3 products)	13.6 A (4 products)	13.6 A (6 products)	13.6 A (7 products)	13.6 A (7 products)
Fuse	T 5 A, 250 V	T 5 A, 250 V	T 5 A, 250 V	T 5 A, 250 V	T 5 A, 250 V

Power I/O	U.S./Worldwide	UK/Europe
Power input connector	Seetronic Powerkon IP65	Seetronic Powerkon IP65
Power output connector	Seetronic Powerkon IP65	Seetronic Powerkon IP65
Power cord plug	Edison (U.S.)	Local plug

Light Source

Type	Color	Quantity	Power	Current	Lifespan
LED	Red	36	2.5 to 3.5 W	725 mA	50,000 hours
LED	Green	36	2.5 to 3.5 W	725 mA	50,000 hours
LED	Blue	36	2.5 to 3.5 W	725 mA	50,000 hours
LED	Amber	36	2.5 to 3.5 W	725 mA	50,000 hours
LED	Lime	36	2.5 to 3.5 W	725 mA	50,000 hours

Photometrics

Color Temperature	Beam Angle	Field Angle	Illuminance @ 5 m
2800K to 6500K	111.4° x 76.7°	151.8° x 134.4°	280 lux

Thermal

Maximum External Temperature	Cooling System
113 °F (45 °C)	Convection

DMX

I/O Connector	Channel Range
5-pin XLR	1, 3, 5, 7, 10, 13, 16, 17, 33, HSV

Ordering

Product Name	Item Name	Item Code	UPC Number
Ovation CYC 3 FC	OVATIONCYC3FC	03031851	781462221997



Warranty & Returns

Limited Warranty

FOR WARRANTY REGISTRATION AND COMPLETE TERMS AND CONDITIONS PLEASE VISIT OUR WEBSITE.

For Customers in the United States and Mexico: www.chauvetlighting.com/warranty-registration.

For Customers in the United Kingdom, Republic of Ireland, Belgium, the Netherlands, Luxembourg, France, and Germany: www.chauvetlighting.eu/warranty-registration.

Chauvet warrants that this product shall be free from defects in material and workmanship under normal use, for the period specified in, and subject to the exclusions and limitations set forth in the full limited warranty on our website. This warranty extends only to the original purchaser of the product and is not transferable. To exercise rights under this warranty, you must provide proof of purchase in the form of an original sales receipt from an authorized dealer that shows the product name and date of purchase.

THERE ARE NO OTHER EXPRESS OR IMPLIED WARRANTIES. This warranty gives you specific legal rights. You may also have other rights that vary from state to state and country to country. This warranty is valid only in the United States, United Kingdom, Republic of Ireland, Belgium, the Netherlands, Luxembourg, France, Germany and Mexico. For warranty terms in other countries, please consult your local distributor.

Returns

Send the product prepaid, in the original box, and with the original packing and accessories. Chauvet will not issue call tags.

Call Chauvet and request a Return Merchandise Authorization (RMA) number before shipping the product. Be prepared to provide the model number, serial number, and a brief description of the cause(s) for the return.

To submit a service request online, go to www.chauvetprofessional.com/service-request.

Clearly label the package with an RMA number. Chauvet will refuse any product returned without an RMA number.



Write the RMA number on a properly affixed label. DO NOT write the RMA number directly on the box.

Once you have the RMA number, provide the following information on a piece of paper and place it inside the box:

- Your name
- Your address
- Your phone number
- RMA number
- A brief description of the problem

Be sure to pack the product properly. Any shipping damage resulting from inadequate packaging will be your responsibility. FedEx packing or double-boxing are recommended.



Chauvet reserves the right to use its own discretion to repair or replace returned product(s).

Contact Us

General Information	Technical Support
Chauvet World Headquarters	
Address: 3360 Davie Rd. Davie, FL 33314 Voice: (954) 577-4455 Fax: (954) 929-5560 Toll Free: (800) 762-1084	Voice: (844) 393-7575 Fax: (954) 756-8015 Email: chauvetcs@chauvetlighting.com Website: www.chauvetprofessional.com
Chauvet U.K.	
Address: Unit 1C Brookhill Road Industrial Estate Pinxton, Nottingham, UK NG16 6NT Voice: +44 (0) 1773 511115 Fax: +44 (0) 1773 511110	Email: UKtech@chauvetlighting.eu Website: www.chauvetprofessional.eu
Chauvet Benelux	
Address: Stokstraat 18 9770 Kruishoutem Belgium Voice: +32 9 388 93 97	Email: BNLtech@chauvetlighting.eu Website: www.chauvetprofessional.eu
Chauvet France	
Address: 3, Rue Ampère 91380 Chilly-Mazarin France Voice: +33 1 78 85 33 59	Email: FRtech@chauvetlighting.fr Website: www.chauvetprofessional.eu
Chauvet Germany	
Address: Bruno-Bürgel-Str. 11 28759 Bremen Germany Voice: +49 421 62 60 20	Email: DEtech@chauvetlighting.de Website: www.chauvetprofessional.eu
Chauvet Mexico	
Address: Av. de las Partidas 34 - 3B (Entrance by Calle 2) Zona Industrial Lerma Lerma, Edo. de México, CP 52000 Voice: +52 (728) 690-2010	Email: servicio@chauvet.com.mx Website: www.chauvetprofessional.mx

Visit the applicable website above to verify our contact information and instructions to request support. Outside the U.S., U.K., Ireland, Benelux, France, Germany, or Mexico, contact the dealer of record.