

OVATION

R Ê V E E-3

User Manual



Model ID: OVATIONREVEE3

Edition Notes

The Ovation Rêve E-3 User Manual includes a description, safety precautions, installation, programming, operation, and maintenance instructions for the Ovation Rêve E-3.

Trademarks

Chauvet, the Chauvet logo, Ovation, and Ovation Rêve E-3 are registered trademarks or trademarks of Chauvet & Sons, LLC (d/b/a Chauvet and Chauvet Lighting) in the United States and other countries. Other company and product names and logos referred to herein may be trademarks of their respective companies.

Copyright Notice

The works of authorship contained in this manual, including, but not limited to, all designs, text, and images are owned by Chauvet.

© **Copyright 2023 Chauvet & Sons, LLC. All rights reserved.**

Electronically published by Chauvet in the United States of America.

Manual Use

Chauvet authorizes its customers to download and print this manual for professional information purposes only. Chauvet expressly prohibits the usage, copy, storage, distribution, modification, or printing of this manual or its content for any other purpose without written consent from Chauvet.

Document Printing

For best results, print this document in color, on letter size paper (8.5 x 11 in), double-sided. If using A4 paper (210 x 297 mm), configure the printer to scale the content accordingly.

Intended Audience

Any person installing, operating, and/or maintaining this product should completely read through the guide that shipped with the product, as well as this manual, before installing, operating, or maintaining this product.

Disclaimer

Chauvet believes that the information contained in this manual is accurate in all respects. However, Chauvet assumes no responsibility and specifically disclaims any and all liability to any party for any loss, damage or disruption caused by any errors or omissions in this document, whether such errors or omissions result from negligence, accident or any other cause. Chauvet reserves the right to revise the content of this document without any obligation to notify any person or company of such revision, however, Chauvet has no obligation to make, and does not commit to make, any such revisions. Download the latest version from www.chauvetprofessional.com.

Document Revision

This Ovation Rêve E-3 User Manual is the 6th edition of this document. Go to www.chauvetprofessional.com for the latest version.

TABLE OF CONTENTS

1. Before You Begin	1
What Is Included	1
Claims	1
Manual Conventions	1
Symbols	1
FCC Statement of Compliance	1
Safety Notes.....	2
RF Exposure Warning for North America and Australia.....	2
Expected LED Lifespan.....	2
2. Introduction	3
Features	3
Product Overview.....	4
Product Dimensions.....	5
3. Setup	6
AC Power	6
AC Plug.....	6
Power Linking.....	6
Fuse Replacement.....	6
DMX Linking.....	6
DMX Personalities.....	6
Remote Device Management.....	7
Master/Slave Connectivity.....	7
Mounting	7
Orientation.....	7
Rigging	7
Procedure.....	8
Adjustable Yoke	8
Soft Focus Filter.....	9
USB Software Update	10
Lens Tubes	10
4. Operation	11
Control Panel Operation.....	11
Control Options	11
Programming.....	11
Configuration (DMX)	11
DMX Personalities.....	11
Starting Address.....	11
Menu Map	12
Configuration (Standalone).....	15
Virtual Color Wheel	15
Color Temperature	15
Manual Color Mixer	15
Color X-Fade Speed	15
Auto Programs	15
Red Shift	15
Master/Slave	15
Dimmer Curve	16
Dimmer Profiles.....	16
Color Calibration	16
LED Frequency	16
Fan Mode	16

Back Light	16
System Information	16
Virtual Color Wheel	17
Virtual Color Wheel Chart	17
Color Temperature Chart	18
Color Temperature DMX Chart	18
DMX Values	19
18Ch / 14Ch1 / 14Ch2 / 12Ch.....	19
8Ch / 6Ch / 5Ch / 1Ch.....	20
HSV.....	20
5. Technical Information	21
Product Maintenance	21
6. Technical Specifications	22
Contact Us	23
Warranty & Returns.....	23

1. Before You Begin

What Is Included

- Ovation Rêve E-3
- Seetronic Powerkon IP65 power cord
- Ovation metal gobo holder
- Soft focus filter
- Quick Reference Guide

Claims

Carefully unpack the product immediately and check the container to make sure all the parts are in the package and are in good condition.






If the box or the contents (the product and included accessories) appear damaged from shipping, or show signs of mishandling, notify the carrier immediately, not Chauvet. Failure to report damage to the carrier immediately may invalidate customer’s claim. In addition, keep the box and contents for inspection.

For other issues, such as missing components or parts, damage not related to shipping, or concealed damage, file a claim with Chauvet within 7 days of delivery.

Manual Conventions

Convention	Meaning
1–512	A range of values
50/60	A set of values of which only one can be chosen
<SET>	A button on the product’s control panel
Settings	A product function or a menu option

Symbols

Symbol	Meaning
	Electrical warning. Not following these instructions may cause electrical damage to the product, accessories, or the user.
	Critical installation, configuration, or operation information. Not following these instructions may make the product not work, cause damage to the product, or cause harm to the operator.
	Important installation or configuration information. The product may not function correctly if this information is not used.
	Useful information.
	The term “DMX” used throughout this manual refers to the USITT DMX512-A digital data transmission protocol.

FCC Statement of Compliance

This device complies with Part 15 Part B of the FCC rules. Operation is subject to the following two conditions:

1. This device may not cause harmful interference, and
2. This device must accept any interference received, including interference that may cause undesired operation.

This equipment has been tested and found to comply with the limits for a Class B digital device, pursuant to Part 15 of the FCC Rules. These limits are designed to provide reasonable protection against harmful interference in a residential installation. This equipment generates uses and can radiate radio frequency energy and, if not installed and used in accordance with the instructions, may cause harmful interference to radio communications. However, there is no guarantee that interference will not occur in a particular installation. If this equipment does cause harmful interference to radio or television reception, which can be determined by turning the equipment off and on, the user is encouraged to try to correct the interference by one or more of the following measures:

- Reorient or relocate the receiving antenna.
- Increase the separation between the equipment and receiver.
- Connect the equipment into an outlet on a circuit different from that to which the receiver is connected.
- Consult the dealer or an experienced radio/TV technician for help.

Any changes or modifications not expressly approved by the party responsible for compliance could void the user’s authority to operate the equipment.

Safety Notes

Read all the following safety notes before working with this product. These notes contain important information about the installation, usage, and maintenance of this product.



This product contains no user-serviceable parts. Any reference to servicing in this User Manual will only apply to properly trained, certified technicians. Do not open the housing or attempt any repairs.



All applicable local codes and regulations apply to proper installation of this product.

- The luminaire is intended for professional use only.
- The luminaire should be positioned so that prolonged staring into the luminaire at a distance closer than 10 ft (3 m) is not expected.
- If the external flexible cable or cord of this luminaire is damaged, it shall be replaced by a special cord or cord exclusively available from the manufacturer or its service agent.
- The light source contained in this luminaire shall only be replaced by the manufacturer or its service agent or a similar qualified person.
- **CAUTION:**
 - This product's housing may be hot when operating. Mount this product in a location with adequate ventilation, at least 20 in (50 cm) from adjacent surfaces.
 - When transferring the product from extreme temperature environments, (e.g., cold truck to warm humid ballroom) condensation may form on the internal electronics of the product. To avoid causing a failure, allow the product to fully acclimate to the surrounding environment before connecting it to power.
 - Flashing light is known to trigger epileptic seizures. User must comply with local laws regarding notification of strobe use.
- **ALWAYS:**
 - Disconnect from power before cleaning the product or replacing the fuse.
 - Replace the fuse with the same type and rating.
 - Use a safety cable when mounting this product overhead.
 - Connect this product to a grounded and protected circuit.
- **DO NOT:**
 - Open this product. It contains no user-serviceable parts.
 - Look at the light source when the product is on.
 - Leave any flammable material within 1.64 ft (50 cm) of this product while operating or connected to power.
 - Connect this product to a dimmer or rheostat.
 - Operate this product if the housing, lenses, or cables appear damaged.
 - Operate this product outdoors or in any location where dust, excessive heat, water, or humidity may affect it (adhere to standards for the published IP rating).
- ONLY use the hanging/mounting bracket to carry this product.
- The maximum ambient temperature is 113 °F (45 °C). Do not operate this product at higher temperatures.
- The minimum startup temperature is -14°F (-10°C). Do not start the product at lower temperatures.
- To eliminate unnecessary wear and improve its lifespan, during periods of non-use completely disconnect the product from power via breaker or by unplugging it.
- In the event of a serious operating problem, stop using immediately.



If a Chauvet product requires service, contact Chauvet Technical Support.

RF Exposure Warning for North America and Australia

Warning! This equipment complies with FCC radiation exposure limits set forth for an uncontrolled environment. This equipment should be installed and operated with a minimum distance of 20 cm between the radiator and the user. This transmitter must not be co-located or operating in conjunction with any other antenna or transmitter.

Expected LED Lifespan

Over time, use and heat will gradually reduce LED brightness. Clustered LEDs produce more heat than single LEDs, contributing to shorter lifespans if always used at full intensity. The average LED lifespan is 40,000 to 50,000 hours. To extend LED lifespan, maintain proper ventilation around the product, and limit the overall intensity.

2. Introduction

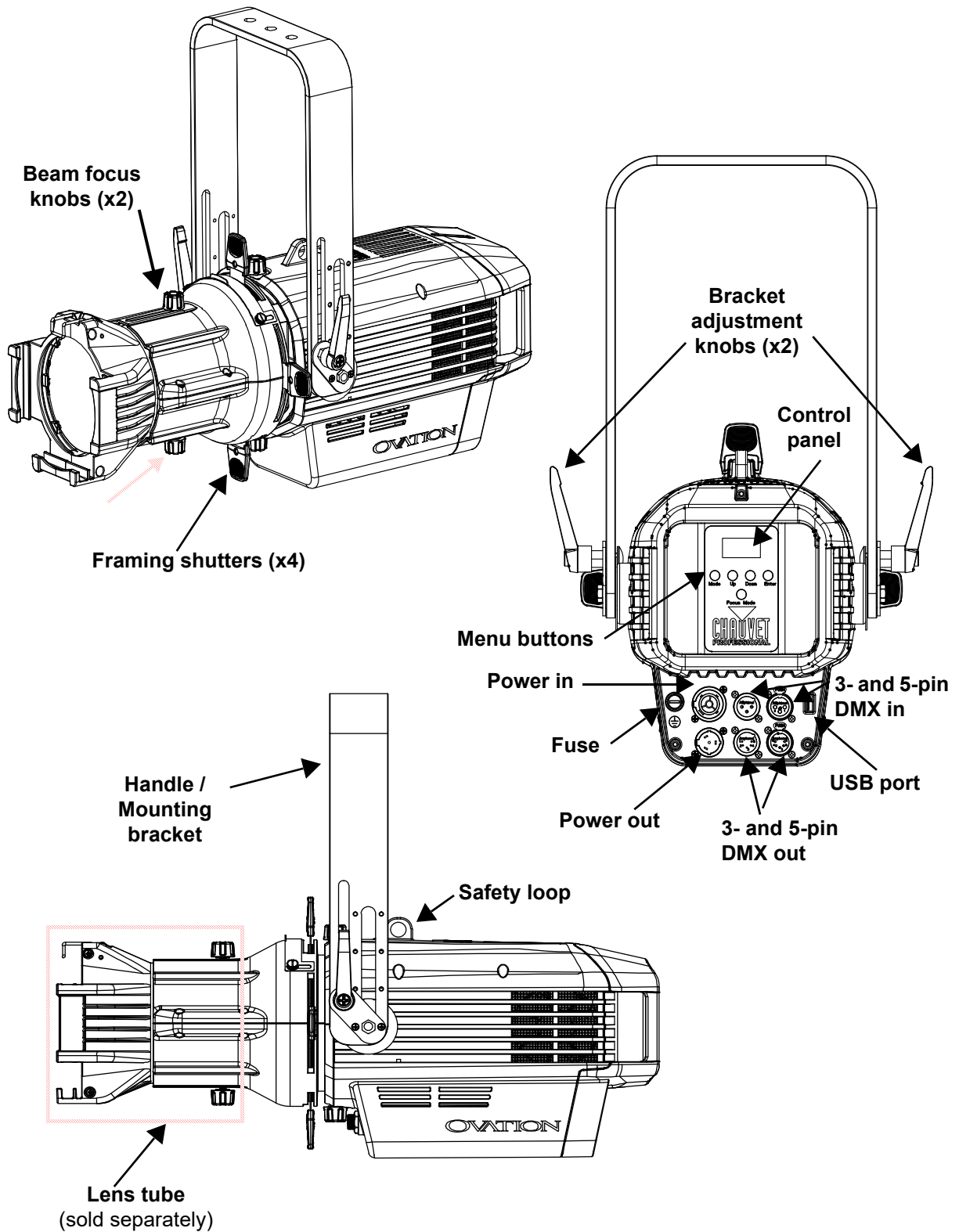
Description

Ovation Rêve E-3 is the brightest, multi-color LED ellipsoidal that also has the capability of producing perfectly tunable whites. It's a new kind of epic story-telling machine that fuses the best of both worlds into one totally reimagined LED light source. Color Temperature presets ranging from 2800K to 8000K maintain outstanding brightness and a high quality of light, with an emulated "red shift" for a tungsten feel. Ovation Rêve E-3 also features several dimming curves, a virtually silent operation with fan-off modes, and a series of technician-friendly features such as an innovative, adjustable yoke that makes mounting in low clearance situations a breeze. With Ovation Rêve E-3 you can seamlessly transition from captivating a wide range of saturated colors in class-leading output to distinct whites with +/- green adjustments using one fixture. No ifs, or buts. Simply and categorically univaLED.

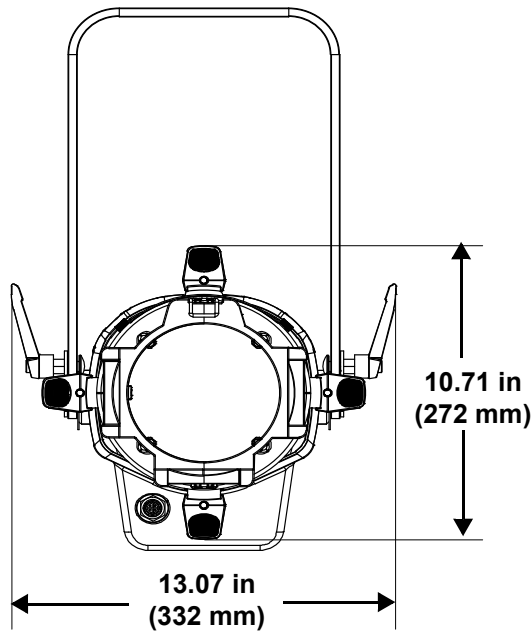
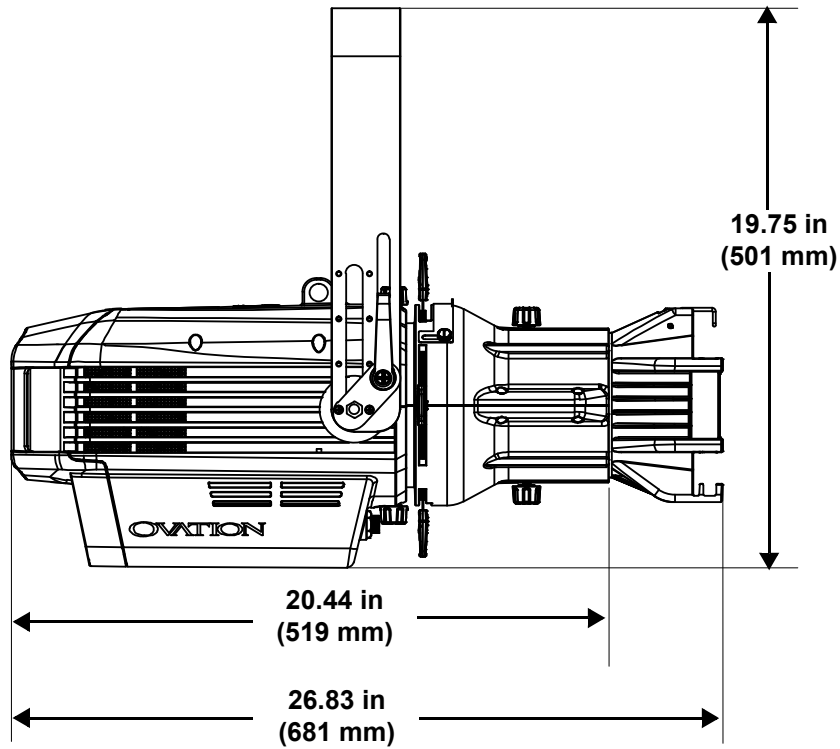
Features

- Operating modes:
 - HSV: hue, saturation, value control, gobo rotator
 - 1-channel: dimmer
 - 5-channel: dimmer, virtual color wheel (VCW), color temperature, hue, gobo rotator
 - 6-channel: red, green, blue, amber, mint (RGBAM) control, gobo rotator
 - 8-channel: dimmer, RGBAM control, strobe, gobo rotator
 - 12-channel: 16-bit dimmer, RGBAM control, strobe, VCW, color temperature, hue, gobo rotator
 - 14-channel: dimmer, RGBAM control, strobe, VCW, color temperature, hue, auto programs, auto speed, control, gobo rotator
 - 14-channel: 16-bit dimmer, 16-bit RGBAM control, strobe, gobo rotator
 - 18-channel: 16-bit RGBAM and dimmer, strobe, VCW, color temperature, hue, control, gobo rotator
- Full-spectrum LED ERS-style lighting fixture for theatre, film and production
- Linear color temperature presets from 2800 K to 8000 K with high CRI and CQS
- Virtual color wheel with color matched to popular gel colors
- +/- Green adjustment and emulated red-shift via DMX or on-board control
- RDM (Remote Device Management) for added flexibility
- Adjustable PWM (Pulse Width Modulation) to avoid flickering on camera
- Virtually silent operation for use in studio, film and theatre applications
- Ultra-smooth 16-bit dimming curves and speeds to complement any lighting scheme.
- Innovative adjustable yoke for mounting in low clearance areas
- Direct power/data connection and control options for the Ovation GR-1 gobo rotator
- USB port for fixture software updates

Product Overview



Product Dimensions



3. Setup

AC Power

Each Ovation Rêve E-3 has an auto-ranging power supply that works with an input voltage range of 100 to 240 V~, 50/60 Hz. To determine the power requirements for each Ovation Rêve E-3, refer to the label affixed to the product or to the [Technical Specifications](#) chart in this manual.

The listed current rating indicates the maximum current draw during normal operation. For more information, download Sizing Circuit Breakers from the Chauvet website: www.chauvetprofessional.com.



- **Always connect the product to a protected circuit (a circuit breaker or fuse). Make sure the product has an appropriate electrical ground to avoid the risk of electrocution or fire.**
- **To eliminate unnecessary wear and improve its lifespan, during periods of non-use completely disconnect the product from power via breaker or by unplugging it.**



Never connect the product to a rheostat (variable resistor) or dimmer circuit, even if the rheostat or dimmer channel serves only as a 0 to 100% switch.

AC Plug

The Ovation Rêve E-3 comes with a power input cord terminated with a Seetronic Powerkon IP65 connector on one end and an Edison plug on the other end (U.S. market). If the power input cord that came with the product has no plug, or if the plug needs to be changed, use the table below to wire the new plug.

Connection	Wire (U.S.)	Wire (Europe)	Screw Color
AC Live	Black	Brown	Yellow or Brass
AC Neutral	White	Blue	Silver
AC Ground	Green/Yellow	Green/Yellow	Green

Power Linking

It is possible to power link Ovation Rêve E-3 products. See the table below for the current draw at each voltage and frequency:

	100 V, 60 Hz	120 V, 60 Hz	208 V, 60 Hz	230 V, 50 Hz	240 V, 60 Hz
Current Draw	3.68 A	3.04 A	1.76 A	1.59 A	1.52 A

Never exceed 12A on a single circuit. Power-linking cables can be purchased separately.

Fuse Replacement

1. Disconnect this product from the power outlet.
2. Using a Phillips-head screwdriver, unscrew the fuse holder cap from the housing.
3. Remove the blown fuse and replace with another fuse of the same type and rating (T 6.3 A, 250 V).
4. Screw the fuse holder cap back in place and reconnect power.



Make sure to disconnect the product's power cord before replacing a blown fuse. Always replace the blown fuse with another of the same type and rating.

DMX Linking

The Ovation Rêve E-3 can be linked to a DMX controller using a 3- and 5-pin DMX connection. If using other DMX-compatible products with this product, it is possible to control each individually with a single DMX controller.

DMX Personalities

The Ovation Rêve E-3 uses a 3- and 5-pin DMX data connection for the **1Ch, 5Ch, 6Ch, 8Ch, 12Ch, 14Ch1, 14Ch2, 18Ch**, and **HSV** DMX personalities.

- Refer to the [Introduction](#) for a brief description of each DMX personality.
- Refer to the [Operation](#) chapter to learn how to configure the Ovation Rêve E-3 to work in these personalities.
- The [DMX Values](#) section provides detailed information regarding the DMX personalities.



For information about DMX standards, Master/Slave connectivity, or the DMX cables needed to link this product to a DMX controller, download the DMX Primer from the Chauvet website: www.chauvetprofessional.com.

Remote Device Management

Remote Device Management, or RDM, is a standard for allowing DMX-enabled devices to communicate bi-directionally along existing DMX cabling. Check with the manufacturer or the DMX controller's User Manual, as not all DMX controllers have this capability. The Ovation Rêve E-3 supports RDM protocol that allows feedback to make changes to menu map options.

Master/Slave Connectivity

The Master/Slave mode allows an Ovation Rêve E-3 (the master) to control one or more Ovation Rêve E-3 products (the slaves) without a DMX controller. Once Ovation Rêve E-3 becomes the master when running an auto or custom program, or in Static mode.

Each slave's control panel must be configured to operate in Slave mode. During Master/Slave operation, the slaves will operate in unison with the master.



DO NOT connect a DMX controller to products operating in Master/Slave mode. The DMX controller signals may interfere with the signals from the master.



- The [Operation](#) section of this manual provides detailed instructions on how to configure the master and slaves.
- For more information about DMX standards or the DMX cables needed to link this product to a DMX controller, download the DMX primer from the Chauvet website: www.chauvetprofessional.com.

Mounting

Before mounting the product, read and follow the safety recommendations indicated in the [Safety Notes](#). For CHAUVET Professional line of mounting clamps, go to: <http://trusst.com/products/>.

Orientation

Always mount this product in a safe position, ensuring that there is adequate room for ventilation, configuration, and maintenance.

Rigging

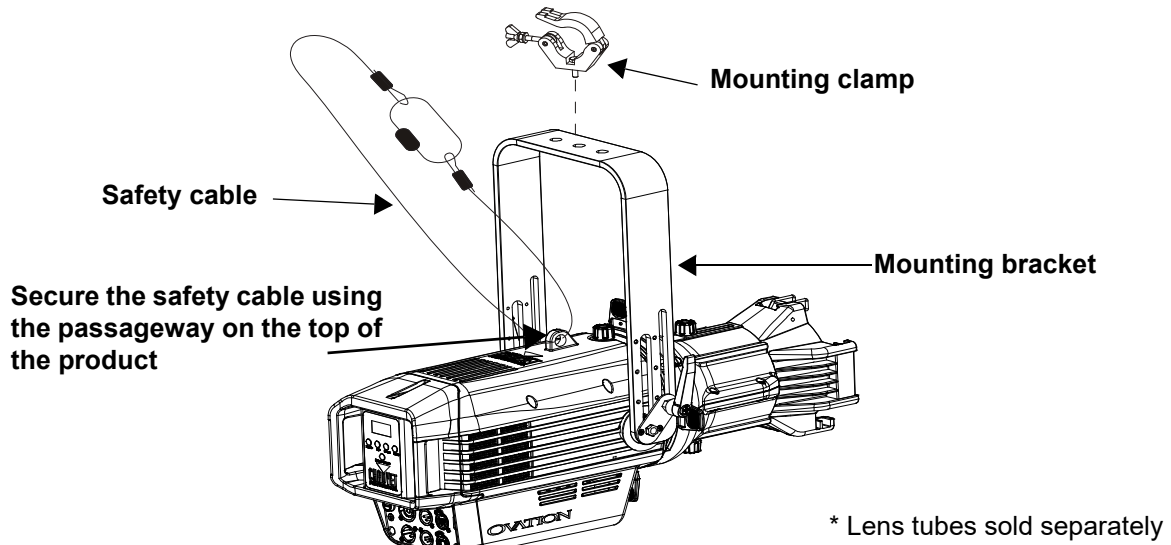
Chauvet recommends using the following general guidelines when mounting this product:

- Before deciding on a location for the product, make sure there is easy access to the product for maintenance and programming purposes.
- Make sure that the structure onto which the product will be mounted can support the product's weight. See the [Technical Specifications](#) for weight information.
- When mounting the product overhead, always use a safety cable. Mount the product securely to a rigging point, whether an elevated platform or a truss.
- When rigging the product onto a truss, use a mounting clamp of appropriate weight capacity.
- When power linking multiple products, mount the products close enough for power-linking cables to reach.
- The bracket adjustment knobs allow for directional adjustment when aiming the product to the desired angle. Only loosen or tighten the bracket knobs manually. Using tools could damage the knobs.

Procedure

The Ovation Rêve E-3 comes with a double-bracketed yoke that can be used as a floor stand or to which mounting clamps can be attached for hanging. Mounting clamps must be purchased separately. Ensure that the clamps can support the weight of this product. Use at least one mounting point per product where necessary.

Mounting Diagram

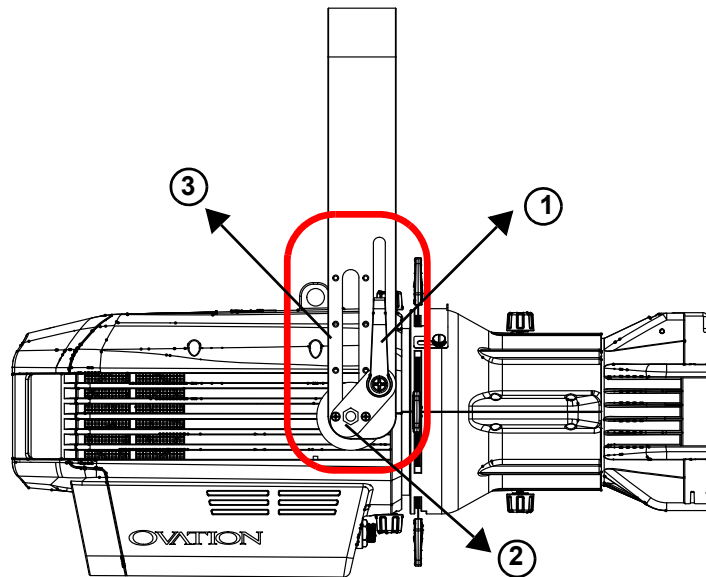


Overhead Mounting

Adjustable Yoke

The Ovation Rêve E-3 comes with an adjustable yoke for mounting in low-clearance areas. To modify the height of the yoke, do the following:

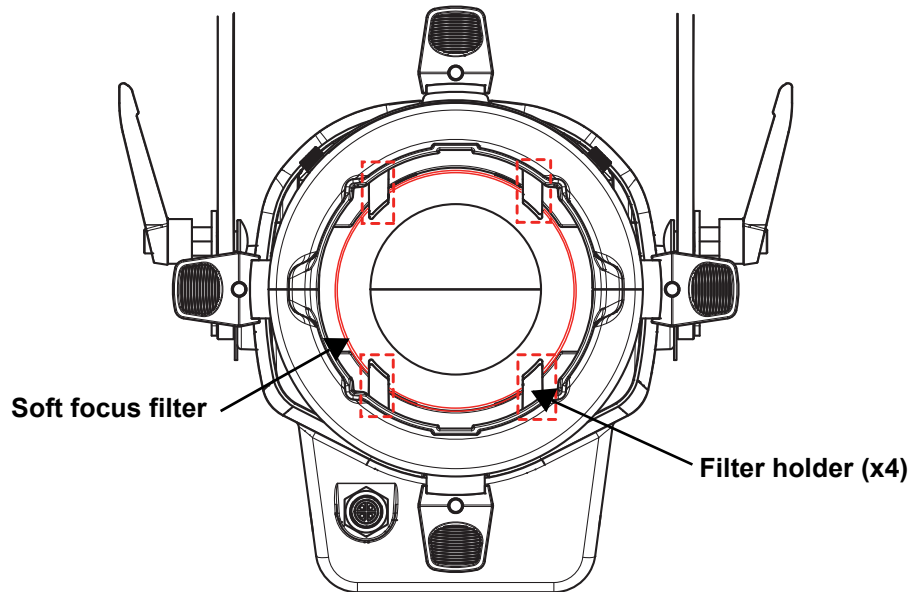
1. Loosen the bracket adjustment knobs on both sides of the fixture.
2. On each side of the fixture, remove the two screws and loosen the bolt attaching the plate to the mounting bracket.
3. Using the screw holes as guide, adjust the position of the mounting bracket to achieve the desired height of the yoke.
4. Put the screws back in place, and tighten the bolts and the bracket adjustment knobs.



Soft Focus Filter

The version 2 of the Ovation Rêve E-3 comes with the soft focus filter already pre-installed in the shutter barrel, in front of the shutter blades and is being held by four filter holders.

- To remove the soft focus filter, gently squeeze and slide the filter out from under the four filter holders.
- To replace the soft focus filter into the fixture, gently squeeze the filter and carefully slide it back under the filter holders. Make sure to follow the orientation direction printed on the filter.



To keep the soft focus filter in good condition:

- Ensure that no fingerprints are left on the filter, as this may cause the filter to heat unevenly and eventually warp.
- When inserting shutter blades into the light path, note that the heat is reflected back at the filter. The deeper the blades are inserted, and the longer the fixture runs, the more heat gets reflected on to the filter, causing it to warp and potentially adhere to the shutter blades.



- **If there is a protective film on the soft focus filter, it must be removed before use.**
- **The standard filter frame must be used together with the fixture.**

USB Software Update

The Ovation Rêve E-3 allows for software update through USB using the built-in USB port. To update the software using USB flash drive, do the following:

1. Power on the fixture and plug the flash drive into the USB port.
2. Once the flash drive has been detected, the message "Upgrade Firmware" will be displayed. Press **<ENTER>**.
 - If a different message appears on the display, search for the updated software in the Main Menu (**Update Firmware**) and select from **Only This Unit**, **Multiple Units**, or **Other Fixture Type**. A list of the software update files will be displayed.
3. Select the file that needs to be uploaded. The message "Are you sure?" will be displayed. Press **<ENTER>**.
4. If the selected file is correct, the upgrade will be completed. Restart the fixture.
 - If the selected file is incorrect, the upgrade will fail, and the display will go back to the main interface. Repeat steps 1-3 using the correct file.



- **Place the .chl file in the root directory of the USB drive.**
- **The product's USB port supports up to 32GB capacity and only works with FAT32 file format.**



The "Other Fixture Type" option can only be selected for connected products compatible with the Upload 03 (the first 2 digits of the item code must be 03).

Lens Tubes

The following lens tubes are available for purchase:

- 19°, 26°, 36°, and 50° with gel frame (6.25 in/159 mm accessories)
- 5° gel frame (14 in/356 mm)
- 10° gel frame (12 in/304 mm)
- 14°, 15–30° and 25°–50° zoom gel frame (7.5 in/191 mm accessories)

4. Operation

Control Panel Operation

Button	Function
<MENU>	Exits from the current menu or function
<ENTER>	Enables the currently displayed menu or sets the currently selected value in to the current function
<UP>	Navigates upward through the menu list or increases the numeric value when in a function
<DOWN>	Navigates downward through the menu list or decreases the numeric value when in a function

Control Options

Set the Ovation Rêve E-3 starting address in the 001-512 DMX range. This enables control of up to 8 products in the 18-channel personality.

Programming

Refer to the [Menu Map](#) to understand the menu options. The menu map shows the main level and a variable number of programming levels for each option.

- To go to the desired main level, press <MENU> repeatedly until the option shows on the display. Press <ENTER> to select. This will show the first programming level for that option.
- To select an option or value within the current programming level, press <UP> or <DOWN> until the option shows on the display. Press <ENTER> to select. This will show either the first option if there is another programming level, or the selected value.
- Press <MENU> repeatedly to exit to the previous main level.

Configuration (DMX)

Use DMX configurations to operate the product with a DMX controller.

DMX Personalities

This setting allows the user to choose a particular DMX personality.

1. Go to the **DMX Channel** main level.
2. Select the desired personality (**1Ch, 5Ch, 6Ch, 8Ch, 12Ch, 14Ch1, 14Ch2, 18Ch, and HSV**).



- See the [Starting Address](#) section for the highest starting address suggested for each personality.
- Make sure that the starting addresses on the various products do not overlap due to the new personality setting.

Starting Address

In this mode, each product will respond to a unique starting address from the DMX controller. All products with the same starting address will respond in unison.

1. Go to the **DMX Address** main level.
2. Set the starting address (**001–512**).

The highest recommended starting address for each DMX mode is as follows:

DMX Personality	DMX Address	DMX Personality	DMX Address
HSV	509	8Ch	505
1Ch	512	12Ch	501
5Ch	508	14Ch	499
6Ch	507	18Ch	495

Menu Map

Refer to the Ovation Rêve E-3 product page on www.chauvetprofessional.com for the latest menu map.

Main Level	Programming Levels		Description	
DMX Address	001–512*		Selects DMX address (*highest channel restricted to personality chosen)	
DMX Channel	1Ch	Virtual Color Wheel	1-channel: dimmer	
		Color Temperature		
		Manual Color Mixer		
	5Ch	5-channel: dimmer, virtual color wheel (VCW), color temperature, hue, gobo rotator		
	6Ch	6-channel: red, green, blue, amber, mint, gobo rotator		
	8Ch	8-channel: dimmer, RGBAM, strobe, gobo rotator		
	12Ch	12-channel: 16-bit dimmer, RGBAM, strobe, VCW, color temperature, hue, gobo rotator		
	14Ch1	14-channel: dimmer, RGBAM, strobe, VCW, color temperature, hue, auto programs, auto speed, control, gobo rotator		
	14Ch2	14-channel: 16-bit dimmer, 16-bit RGBAM, strobe, gobo rotator		
	18Ch	18-channel: 16-bit RGBAM and dimmer, strobe, VCW, color temperature, hue, control, gobo rotator		
	HSV		4-channel: hue, saturation, value, gobo rotator	
Virtual Color Wheel	Virtual Color Wheel	C3050 - Md Yellow C3040 - Lt Yellow C3240 - Amb Yellow C2340 - V Lt Amber C2040 - Lt Amber C2050 - Md Amber C2060 - Dk Amber C1050 - Lt Red C1080 - Md Red C1020 - NC Pink C1030 - Md Pink C1630 - Dk Pink C1250 - Md Red Amber C1060 - Dk Red Amber C1650 - Magenta C6170 - Dk Magenta C6020 - Lt Lavender C5030 - Lt Blue C5020 - V Lt Blue C5430 - Lt Blue 2 C5070 - Blue C5050 - Md Blue C5060 - Dk Blue C5690 - Indigo C5080 - V Dk Blue C5081 - V Dk Blue 2 C4370 - Yel Green C4070 - Green C4550 - Turquoise C4560 - Aqua C4570 - Blue Green	Dimmer 0–255	Virtual Color Wheel simulates the output of each gel color. Refer to the Virtual Color Wheel Chart for specific values.

Main Level	Programming Levels			Description	
Virtual Color Wheel	Color Temperature	2800K 2900K 3000K 3100K 3200K 3300K 3400K 3500K 3600K 3700K 3800K 3900K 4000K 4100K 4200K	Dimmer	0–255	Preset white color temperatures. Emulates a tungsten lamp at the specified color temperature. Refer to the Color Temperature Chart for specific values.
		4300K 4400K 4500K 4600K 4700K 4800K 4900K 5000K 5100K 5200K 5300K 5400K 5500K 5600K 5700K 6000K 6500K 7000K 7500K 8000K	Hue	-25–25	
	Manual Color Mixer	Red Green Blue Amber Mint	000–255	Combines red, green, blue, amber, and mint to make a custom color (0–100%)	
	Color X-Fade Speed	Off			
X-Fade Speed 1			Creates fade transition between colors when using colors in the Virtual Color Wheel or Color Temperature chart, from fast (X-Fade Speed 1) to slow (X-Fade Speed 4)		
X-Fade Speed 2					
X-Fade Speed 3					
		X-Fade Speed 4			
Auto Show	Auto 1–5		1–100	Selects automatic programs and auto program speed	
Red Shift	On			Mimics halogen lamp dimming	
	Off				
Gobo Rotator	000–255			Controls the gobo rotator	
Master/ Slave	Master			Receives DMX signal from the DMX controller (master)	
	Slave			Receives DMX signal from the master unit	

Main Level	Programming Levels		Description
Dimmer Curve	SCurve		Sets the dimmer curve
	Linear		
Dimmer Mode	Square		Sets the dimmer curve
	Inverse Square		
Color Calibration	Off		Linear dimmer
	Dimmer 1–3		Dimming curves, from fast (Dimmer 1) to slow (Dimmer 3)
Color Calibration	User Calibration	Off	Deactivates color calibration
		Red	Sets red LED maximum value
		Green	Sets green LED maximum value
		Blue	Sets blue LED maximum value
		Amber	Sets amber LED maximum value
	Mint	Sets mint LED maximum value	
Factory Calibration		Uses factory default white setting	
LED Frequency	600Hz		Sets the PWM output frequency
	1200Hz		
Fan Mode	2000Hz		Sets the PWM output frequency
	4000Hz		
Back Light	6000Hz		Sets the PWM output frequency
	25KHz		
Fan Mode	Auto		Sets the fan to auto mode
	On		Sets the fan to always on
	Off		Sets the fan to always off
	Silent		Sets the fan to silent
Back Light	10S		Turns off display backlight after 10 seconds of inactivity
	30S		Turns off display backlight after 30 seconds of inactivity
	2Min		Turns off display backlight after 2 minutes of inactivity
	Always On		Display backlight always on
Gobo Power	On		Enables/disables gobo power output
	Off		
Information	Fixture Hours	----_H	Shows total hours the product has been powered on
	LED Hours	----_H	Shows total hours the LED has been powered on
	Version	V_._	Shows current firmware version
	UID	-----	Shows product UID
Update Firmware	Only This Unit	-----_.CHL ...	Selects an update file for this product, or shows “ No such file! ”
	Multiple Units	-----_.CHL ...	Selects an update file for this and connected Ovation Rêve E-3 products, or shows “ No such file! ”
	Other Fixture Type	-----_.CHL ...	Selects an update file for other connected products, or shows “ No such file! ”
Reset Factory	No		Resets settings to factory default
	Yes		



WARNING: When operating in Fan Mode: Off and Fan Mode: Silent, the fixture will become hotter to the touch than when using other fan modes. Use proper protective equipment to prevent burns. Keep a safe distance from flammable objects.



NOTICE: When operating in Fan Mode: Off and Fan Mode: Silent, output of the fixture will be reduced and will not reach the same levels as when using other fan modes.

Configuration (Standalone)

Use standalone configuration to operate the product without a DMX controller.

Virtual Color Wheel

1. Go to the **Virtual Color Wheel** main level.
2. Select **Virtual Color Wheel**.
3. Select the desired gel color (see [Virtual Color Wheel Chart](#)).
4. Select the desired output level (**000–255**).

Color Temperature

To select a color temperature, do the following:

1. Go to the **Virtual Color Wheel** main level.
2. Select **Color Temperature**.
3. Select the desired color temperature (see [Color Temperature Chart](#)).
4. Select the desired output level (**000–255**).

Manual Color Mixer

To do color mixing without a DMX controller, follow the instructions below:

1. Go to the **Virtual Color Wheel** main level.
2. Select **Manual Color Mixer**.
3. Select the color to edit (**Red, Green, Blue, Amber, or Mint**).
4. Select the desired output level for that color (**000–255**).
5. Repeat steps 3 and 4 until product outputs as desired.

Color X-Fade Speed

To create fade transition between colors when using colors in the Virtual Color Wheel or Color Temperature Chart, do the following:

1. Go to the **Virtual Color Wheel** main level.
2. Select **Color X-Fade Speed**.
3. Select **X-Fade Speed 1-4** (from fast to slow), or **Off** (to turn off the fade transition between colors).

Auto Programs

Auto programs allow for dynamic RGBAL color mixing without a DMX controller.

1. Go to **Auto Show** main level.
2. Select the desired auto program (**Auto 1–5**).
3. Select the desired speed (**1–100**).

Red Shift

The Red Shift function causes the amber LEDs to imitate the appearance of a halogen lamp when dimming. To adjust the Red Shift function, do the following:

1. Go to the **Red Shift** main level.
2. Select **On** or **Off**.

Master/Slave

The Master/Slave mode allows a group of Ovation Rêve E-3 products (the slaves) to simultaneously duplicate the output of another Ovation Rêve E-3 (the master) without a DMX controller.

To set each of the slaves:

1. Go to the **Master/Slave** main level
2. Select **Slave**.

To set the master:

1. Go to the **Master/Slave** main level
2. Select **Master**.
3. Select a static setting.



- **The master is the one that runs a program whether in Auto or Static mode.**
- **Do not connect a DMX controller to the products configured for Master/Slave operation. The DMX controller may interfere with signals from the master.**
- **The master should be the first product in the daisy chain.**

Dimmer Curve

To set the dimmer curve, follow the instructions below:

1. Go to the **Dimmer Curve** main level.
2. Select the desired option (**SCurve**, **Linear**, **Square**, or **Inverse Square**).

Dimmer Profiles

This setting determines how fast the output of the Ovation Rêve E-3 changes when the output value is modified. It provides four different options to simulate the dimming curve of an incandescent lighting product. To select a specific dimmer profile, do the following:

1. Go to the **Dimmer Mode** main level.
2. Select a dimmer curve (**Off**, **Dimmer 1**, **Dimmer 2**, or **Dimmer 3**).



Off: The output is proportional (linear) to the dimmer channel value.
Dimmer 1-3: The output follows the dimmer value based on the corresponding dimmer curve, **Dimmer 1** being the fastest.



For optimum control of the 16-bit dimming channels in the 12Ch, 14Ch2, and 18Ch personalities, ensure that the dimming curves in Dimmer Mode are set to Off.

Color Calibration

This setting determines the maximum output values for each color, which affects the appearance of a full output white.

1. Go to the **Color Calibration** main level.
2. Select **Off** (deactivates color calibration), **User Calibration**, or **Factory Calibration** (the product will use a default white setting).
3. For **User Calibration** mode, select the color value to edit (**Red**, **Green**, **Blue**, **Amber**, or **Mint**).
4. Set the maximum value for the selected color (**125–255**).
5. Repeat steps 3 and 4 until the product outputs as desired.

LED Frequency

This option changes the Pulse Width Modulation (PWM) frequency of the LEDs on the Ovation Rêve E-3. To do so, follow the instructions below:

1. Go to the **LED Frequency** main level.
2. Select PWM Frequency (**600Hz**, **1200Hz**, **2000Hz**, **4000Hz**, **6000Hz**, or **25KHz**).

Fan Mode

This setting determines how the fan speed on the Ovation Rêve E-3 is set.

1. Go to the **Fan Mode** main level
2. Select **Auto** (fan speed will increase or decrease based on product temperature), **Off** (fan will stay off. Product output will decrease based on product temperature), **Silent** (fan will maintain a constant silent speed), or **On** (fan speed will always be at maximum).



NOTICE: When operating in Fan Mode: Off, the output of the fixture will be reduced and will not reach the same levels as when using other fan modes.



WARNING: When operating in Fan Mode: Off, the fixture will become hotter to the touch than when using other fan modes. Use proper protective equipment to prevent burns. Keep a safe distance from flammable objects.

Back Light

This setting allows for selection of the amount of time the backlight on the Ovation Rêve E-3's display stays on after the last button is pressed on the control panel.

1. Go to the **Back Light** main level.
2. Select **10S** (10 seconds), **30S** (30 seconds), **2Min** (2 minutes), or **Always On** (remains on).

System Information

This option displays the total number of hours the product has run, the installed software version, and the product's UID.

1. Go to the **Information** main level.
2. Select **Fixture Hours**, **LED Hours**, **Version**, or **UID**.

Virtual Color Wheel

The Ovation Rêve E-3 includes a feature called the Virtual Color Wheel (VCW). This feature is available as a standalone control mode for manual use and as a control channel in select DMX personalities. More than 30 premixed colors, custom blended by Chauvet engineers, are available to call up for easier programming.

The DMX values used to mix these colors are provided below. The overall intensity of the Ovation fixture can be adjusted to more closely replicate familiar industry-standard colors. A chart is available at www.chauvetprofessional.com to compare Chauvet's premixed colors with popular gel colors. This chart is for comparison purposes only and is not an assertion that Chauvet's premixed colors match any of the gel colors listed.

Virtual Color Wheel Chart

DMX Channel Value	Display Readout	Red Value	Green Value	Blue Value	Amber Value	Mint Value
000 ⇄ 005	--	--	--	--	--	--
006 ⇄ 013	C3050 - Md Yellow	255	225	0	255	37
014 ⇄ 021	C3040 - Lt Yellow	255	177	3	255	37
022 ⇄ 028	C3240 - Amb Yellow	255	220	0	255	0
029 ⇄ 035	C2340 - VLt Amber	195	0	15	255	57
036 ⇄ 043	C2040 - Lt Amber	255	0	11	255	61
044 ⇄ 051	C2050 - Md Amber	255	53	0	255	17
052 ⇄ 059	C2060 - Dk Amber	255	8	0	255	17
060 ⇄ 067	C1050 - Lt Red	255	0	3	14	0
068 ⇄ 075	C1080 - Md Red	255	0	2	0	0
076 ⇄ 083	C1020 - NC Pink	255	75	62	255	73
084 ⇄ 091	C1030 - Md Pink	255	75	57	255	41
092 ⇄ 099	C1630 - Dk Pink	218	77	57	255	61
100 ⇄ 107	C1250 - Md Red Amber	255	0	9	168	0
108 ⇄ 115	C1060 - Dk Red Amber	255	5	9	36	0
116 ⇄ 121	C1650 - Magenta	255	3	62	255	12
122 ⇄ 130	C6170 - Dk Magenta	255	0	55	0	0
131 ⇄ 138	C6020 - Lt Lavender	255	220	93	255	44
139 ⇄ 146	C5030 - Lt Blue	0	255	159	112	78
147 ⇄ 154	C5020 - VLt Blue	0	215	145	196	65
155 ⇄ 162	C5430 - Lt Blue2	0	215	132	52	92
163 ⇄ 170	C5070 - Blue	0	195	188	0	19
171 ⇄ 178	C5050 - Md Blue	0	163	190	0	68
179 ⇄ 186	C5060 - Dk Blue	0	128	193	0	38
187 ⇄ 194	C5690 - Indigo	53	9	255	0	0
195 ⇄ 202	C5080 - VDk Blue	7	84	116	0	0
203 ⇄ 210	C5081 - VDk Blue2	11	82	139	0	0
211 ⇄ 218	C4370 - Yel Green	0	255	2	25	0
219 ⇄ 226	C4070 - Green	0	255	9	0	175
227 ⇄ 234	C4550 - Turquoise	0	255	87	96	255
235 ⇄ 242	C4560 - Aqua	0	255	98	44	255
243 ⇄ 250	C4570 - Blue Green	0	255	26	8	0
251 ⇄ 255	--	--	--	--	--	--



Note: The colors above are simulated renditions of the color output produced compared with other similar incandescent products. Chauvet makes no guarantee of the color output accuracy.

Color Temperature Chart

Color Temperature	Red Value	Green Value	Blue Value	Amber Value	Mint Value
2800K	253	0	25	255	145
2900K	253	3	28	255	153
3000K	251	5	33	255	161
3100K	248	7	36	255	169
3200K	245	9	45	255	173
3300K	242	13	47	255	182
3400K	237	22	53	255	185
3500K	230	30	58	255	185
3600K	225	40	64	255	185
3700K	221	48	70	255	185
3800K	220	48	74	255	197
3900K	220	50	79	255	203
4000K	210	58	84	255	203
4100K	205	63	88	255	203
4200K	199	68	95	255	204
4300K	189	69	98	255	204
4400K	183	71	103	255	204
4500K	174	78	107	255	204
4600K	170	80	112	255	204
4700K	166	89	119	255	204
4800K	164	98	123	255	203
4900K	163	100	129	255	205
5000K	163	103	137	255	206
5100K	163	108	142	255	208
5200K	163	116	147	255	208
5300K	163	118	156	255	210
5400K	162	122	162	255	216
5500K	162	124	166	255	224
5600K	162	127	172	255	229
5700K	159	127	177	255	231
6000K	158	134	192	241	231
6500K	152	152	206	225	231
7000K	144	157	224	218	231
7500K	127	172	238	218	231
8000K	122	175	255	200	231



Note: The color temperatures above are simulated renditions of the color output produced compared with a tungsten lamp at the specified color temperature. Chauvet makes no guarantee of the color output accuracy.

Color Temperature DMX Chart

DMX Channel	Color Temperature	DMX Channel	Color Temperature	DMX Channel	Color Temperature
000 ⇔ 005	No function	084 ⇔ 090	3900–4000K	168 ⇔ 174	5100–5200K
006 ⇔ 013	2800–2900K	091 ⇔ 097	4000–4100K	175 ⇔ 181	5200–5300K
014 ⇔ 020	2900–3000K	098 ⇔ 104	4100–4200K	182 ⇔ 188	5300–5400K
021 ⇔ 027	3000–3100K	105 ⇔ 111	4200–4300K	189 ⇔ 195	5400–5500K
028 ⇔ 034	3100–3200K	112 ⇔ 118	4300–4400K	196 ⇔ 202	5500–5600K
035 ⇔ 041	3200–3300K	119 ⇔ 125	4400–4500K	203 ⇔ 209	5600–5700K
042 ⇔ 048	3300–3400K	126 ⇔ 132	4500–4600K	210 ⇔ 216	5700–6000K
049 ⇔ 055	3400–3500K	133 ⇔ 139	4600–4700K	217 ⇔ 223	6000–6500K
056 ⇔ 062	3500–3600K	140 ⇔ 146	4700–4800K	224 ⇔ 230	6500–7000K
063 ⇔ 069	3600–3700K	147 ⇔ 153	4800–4900K	231 ⇔ 237	7000–7500K
070 ⇔ 076	3700–3800K	154 ⇔ 160	4900–5000K	238 ⇔ 244	7500–8000K
077 ⇔ 083	3800–3900K	161 ⇔ 167	5000–5100K	245 ⇔ 255	8000K

DMX Values

18Ch / 14Ch1 / 14Ch2 / 12Ch

12Ch	14Ch1	14Ch2	18Ch	Function	Value	Percent/Setting
1	1	1	1	Dimmer	000 ⇄ 255	0–100%
2	–	2	2	Dimmer fine	000 ⇄ 255	0–100%
3	2	3	3	Red	000 ⇄ 255	0–100%
	–	4	4	Red fine	000 ⇄ 255	0–100%
4	3	5	5	Green	000 ⇄ 255	0–100%
	–	6	6	Green fine	000 ⇄ 255	0–100%
5	4	7	7	Blue	000 ⇄ 255	0–100%
	–	8	8	Blue fine	000 ⇄ 255	0–100%
6	5	9	9	Amber	000 ⇄ 255	0–100%
	–	10	10	Amber fine	000 ⇄ 255	0–100%
7	6	11	11	Mint	000 ⇄ 255	0–100%
	–	12	12	Mint fine	000 ⇄ 255	0–100%
8	7	13	13	Strobe	000 ⇄ 010 011 ⇄ 255	No function Strobe, slow to fast
9	8	–	14	Virtual color wheel	000 ⇄ 255	Refer to Virtual Color Wheel Chart
10	9	–	15	Color temperature	000 ⇄ 255	Refer to Color Temperature DMX Chart
11	10	–	16	Hue	000 ⇄ 000 001 ⇄ 255	0 –25–25
–	11	–	–	Auto programs	000 ⇄ 010 011 ⇄ 060 061 ⇄ 110 111 ⇄ 160 161 ⇄ 210 211 ⇄ 255	No function Auto program 1 Auto program 2 Auto program 3 Auto program 4 Auto program 5
–	12	–	–	Auto speed	000 ⇄ 255	Auto speed, slow to fast
–	13	–	17	Control (hold for 3 seconds)	000 ⇄ 007 008 ⇄ 015 016 ⇄ 023 024 ⇄ 031 032 ⇄ 039 040 ⇄ 047 048 ⇄ 055 056 ⇄ 063 064 ⇄ 071 072 ⇄ 079 080 ⇄ 087 088 ⇄ 095 096 ⇄ 103 104 ⇄ 111 112 ⇄ 119 120 ⇄ 127 128 ⇄ 135 136 ⇄ 143 144 ⇄ 151 152 ⇄ 159 160 ⇄ 167 168 ⇄ 255	No function Dimmer reset Red shift on Red shift off S-curve dimmer Linear dimmer Square dimmer curve Inverse square dimmer curve Dimmer speed mode: OFF Dimmer speed 1 (fastest) Dimmer speed 2 Dimmer speed 3 (slowest) Fan auto Fan on Fan off Fan silent X-Fade Speed: OFF X-Fade Speed: 1 (fastest) X-Fade Speed: 2 X-Fade Speed: 3 X-Fade Speed: 4 (slowest) Reserved for future use
12	14	14	18	Gobo rotator	000 ⇄ 127 128 ⇄ 190 191 ⇄ 192 193 ⇄ 255	Index Clockwise rotation, fast to slow Stop Counterclockwise rotation, slow to fast

8Ch / 6Ch / 5Ch / 1Ch

1Ch	5Ch	6Ch	8Ch	Function	Value	Percent/Setting
1	1	–	1	Dimmer	000 ⇔ 255	0–100%
–	–	1	2	Red	000 ⇔ 255	0–100%
–	–	2	3	Green	000 ⇔ 255	0–100%
–	–	3	4	Blue	000 ⇔ 255	0–100%
–	–	4	5	Amber	000 ⇔ 255	0–100%
–	–	5	6	Mint	000 ⇔ 255	0–100%
–	–	–	7	Strobe	000 ⇔ 010 011 ⇔ 255	No function Strobe, slow to fast
–	2	–	–	Virtual color wheel	000 ⇔ 255	Refer to Virtual Color Wheel Chart
–	3	–	–	Color temperature	000 ⇔ 255	Refer to Color Temperature DMX Chart
–	4	–	–	Hue	000 ⇔ 000 001 ⇔ 255	0 -25–25
–	5	6	8	Gobo rotator	000 ⇔ 127 128 ⇔ 190 191 ⇔ 192 193 ⇔ 255	Index Clockwise rotation, fast to slow Stop Counterclockwise rotation, slow to fast

HSV

Channel	Function	Value	Percent/Setting
1	Hue	000 ⇔ 255	0–100%
2	Saturation	000 ⇔ 255	0–100%
3	Value	000 ⇔ 255	0–100%
4	Gobo rotator	000 ⇔ 127 128 ⇔ 190 191 ⇔ 192 193 ⇔ 255	Index Clockwise rotation, fast to slow Stop Counterclockwise rotation, slow to fast

5. Technical Information

Product Maintenance

To maintain optimum performance and minimize wear, clean this product frequently. Usage and environment are contributing factors in determining the cleaning frequency.

Clean this product at least twice a month. Dust build-up reduces light output performance and can cause overheating. This can lead to reduced light source life and increased mechanical wear.

To clean the product:

1. Unplug the product from power.
2. Wait until the product is at room temperature.
3. Use a vacuum (or dry compressed air) and a soft brush to remove dust collected on the external vents.
4. Clean all transparent surfaces with a mild soap solution, ammonia-free glass cleaner, or isopropyl alcohol.
5. Apply the solution directly to a soft, lint-free cotton cloth or a lens-cleaning tissue.
6. Softly drag any dirt or grime to the outside of the transparent surface.
7. Gently polish the transparent surfaces until they are free of haze and lint.



Always dry the transparent surfaces carefully after cleaning them.

6. Technical Specifications

Dimensions and Weight

	Length	Width	Height	Weight
Fixture only	20.44 in (519 mm)	13.07 in (332 mm)	20.53 in (522 mm)	18.6 lb (8.4 kg)
With lens extended	26.83 in (681 mm)	13.07 in (332 mm)	20.53 in (522 mm)	

Power

Power Supply Type	Range	Voltage Selection
Switching (internal)	100 to 240 VAC, 50/60 Hz	Auto-ranging

Parameter	100 V, 60 Hz	120 V, 60 Hz	208 V, 60 Hz	230 V, 50 Hz	240 V, 50 Hz
Consumption	371 W	367 W	356 W	353 W	356 W
Operating Current	3.68 A	3.04 A	1.76 A	1.59 A	1.52 A
Power-linking current (products)	13.6 A (3 products)	13.6 A (4 products)	13.6 A (7 products)	13.6 A (8 products)	13.6 A (8 products)

Power I/O	U.S./Canada	Worldwide
Power input connector	Seetronic Powerkon IP65	Seetronic Powerkon IP65
Power output connector	Seetronic Powerkon IP65	Seetronic Powerkon IP65
Power cord plug	Edison (U.S.)	Local plug

Light Source

Type	Color	Quantity	Power	Current	Lifespan	Color Temperature
LED	Red	12	3.5–10 W	2.4 A	50,000 hours	5470 K
	Green	19				
	Blue	3				
	Royal blue	9				
	Amber	24				
	Mint	24				

Photometrics

Parameter	5°	10°	14°	19°	26°	36°	50°	15°–30°	25°–50°
Beam angle	4.6°	10°	14.8°	18.5°	26°	33.3°	49.5°	13° 28.5°	23.6° 40.5°
Field angle	5.6°	11.1°	16°	21.6°	29.6°	37.1°	55.7°	15.4° 32.2°	25.8° 44.1°
Illuminance @ 5 m (lux)	31,856	18,924	9,284	5,635	3,378	2,085	870	9,292 2,671	3,710 1,527
Lumens	5,076	11,250	12,179	12,156	13,300	13,223	12,216	12,057	14,355

Thermal

Maximum External Temperature	Cooling System
113 °F (45 °C)	Fan-assisted convection

DMX

I/O Connector	Channel Range
3- and 5-pin XLR	1, 5, 6, 8, 12, 14CH1, 14CH2, 18, or HSV

Ordering

Product Name	Item Name	Item Code	UPC Number
Ovation Rêve E-3	OVATIONREVEE3	03121729	78146220778



RoHS



Contact Us

General Information	Technical Support
Chauvet World Headquarters	
Address: 3360 Davie Rd. Davie, FL 33314 Voice: (954) 577-4455 Fax: (954) 929-5560 Toll Free: (800) 762-1084	Voice: (844) 393-7575 Fax: (954) 756-8015 Email: chauvetcs@chauvetlighting.com Website: www.chauvetprofessional.com
Chauvet Europe Ltd	
Address: Pod 1 EVO Park Little Oak Drive, Sherwood Park Nottinghamshire, NG15 0EB UK Voice: +44 (0) 1773 511115 Fax: +44 (0) 1773 511110	Email: UKtech@chauvetlighting.eu Website: www.chauvetprofessional.eu
Chauvet Europe BVBA	
Address: Stokstraat 18 9770 Kruishoutem Belgium Voice: +32 9 388 93 97	Email: BNLtech@chauvetlighting.eu Website: www.chauvetprofessional.eu
Chauvet France	
Address: 3, Rue Ampère 91380 Chilly-Mazarin France Voice: +33 1 78 85 33 59	Email: FRtech@chauvetlighting.fr Website: www.chauvetprofessional.eu
Chauvet Germany	
Address: Bruno-Bürgel-Str. 11 28759 Bremen Germany Voice: +49 421 62 60 20	Email: DEtech@chauvetlighting.de Website: www.chauvetprofessional.eu
Chauvet Mexico	
Address: Av. de las Partidas 34 - 3B (Entrance by Calle 2) Zona Industrial Lerma Lerma, Edo. de México, CP 52000 Voice: +52 (728) 690-2010	Email: servicio@chauvet.com.mx Website: www.chauvetprofessional.mx

Warranty & Returns

For warranty terms and conditions and return information, please visit our website.

For customers in the United States and Mexico: www.chauvetlighting.com/warranty-registration.

For customers in the United Kingdom, Republic of Ireland, Belgium, the Netherlands, Luxembourg, France, and Germany: www.chauvetlighting.eu/warranty-registration.