

PHX1.5 LED ZOOM

The 15°-35° and 30°-55° PHX LED Zoom Spot are state of the art luminaires in function, style, and efficiency. These zoom profiles have been designed and engineered with a number of innovative details and features enhancing versatility and efficiency without sacrificing performance.

The PHX1.5 is the only silent and solid state LED Zoom Spot profile specifically made for the production lighting and theatrical market. This makes the PHX1.5 ideal for use in concert halls, recording studios, small venues or wherever ambient noise is a concern.

The PHX1.5 features an RGBL array that won't force users to choose between deep saturates and gorgeous pastels; you'll be able to achieve brilliant whites ranging from 2700K all the way up to 10,000K along with deep golds, burning reds and springtime lavenders

The PHX 1.5 Zoom incorporates a 360° locking rotating barrel help keep your keep the artistic part of your fixtures focus intact and easy to attain with virtually no light leak. The aesthetic appearance and ergonomically designed function controls only add to the appeal.



PHX1.5 30-55 Degree Zoom

Product Features:

- Red, Green, Blue, Lime LED Engine
- 360-degree rotating barrel
- Positive locking double-clutch fixture body
- Heat resistant Plano-Convex lensing
- Die-cast aluminum and sheet metal fabrication
- Wide accessory slot with sliding cover for motorized pattern devices or optional iris
- Color frame, C-Clamp, soft focus pattern holder, safety cable and 5 foot PowerCON included
- PowerCON in and out for daisy-chaining units
- 100 to 240 VAC 50/60 Hz operation
- Available standard in Black or White
- Yoke made from rigid flat steel with dual locking handles, two mounting positions and indexed tilt angle markings
- DMX512 in/thru via 5-pin XLR connector
- Compatible with DMX 512 and RDM protocols
- Multiple on-board control options: color fades and strobes
- User friendly control interface
- Console free stand alone Player Mode
- Multiple Dimming Curves
 - Logarithmic
 - Square Law
 - Linear
- Dimming - Smoothing Mode
- 8-bit or 16-bit virtual dimming engine provides smooth, high quality fades and minimizes color shift during dimming
- Four different control settings of:
 - 16-Bit Mode, Master Channel On (10 DMX Channels)
 - 16-Bit Mode, Master Channel Off (8 DMX Channels)
 - 8-bit Mode, Master Channel On (5 DMX Channels)
 - 8-bit Mode, Master Channel Off (4 DMX Channels)
- 27.15 lbs. (12.34 kg.)
- cETLus, CE and PSE (IP20 Rated for indoor use)
- Assembled in the USA
- Five (5) year and one (1) day warranty
- No cost technical support for the life of your product



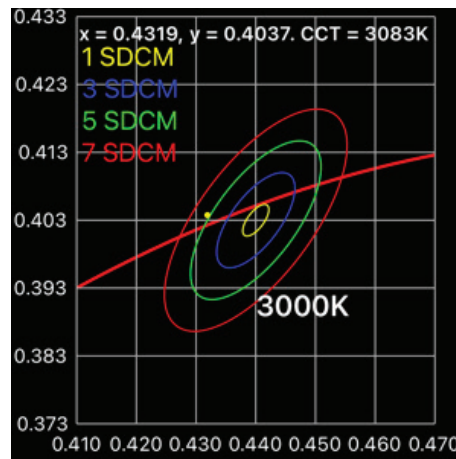
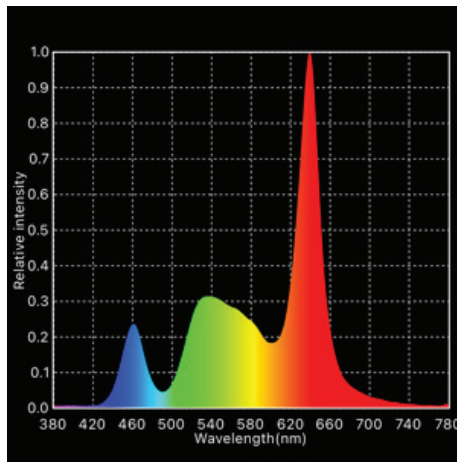
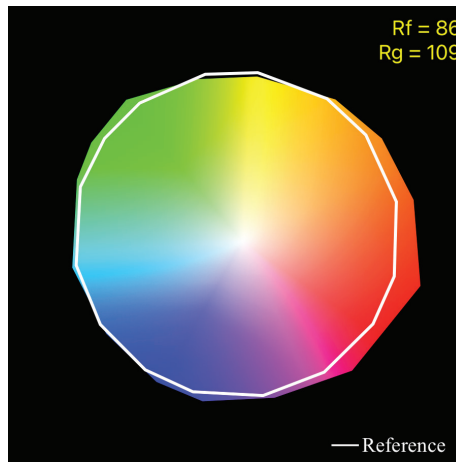
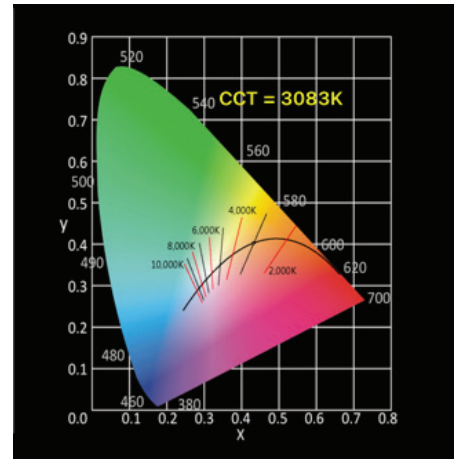
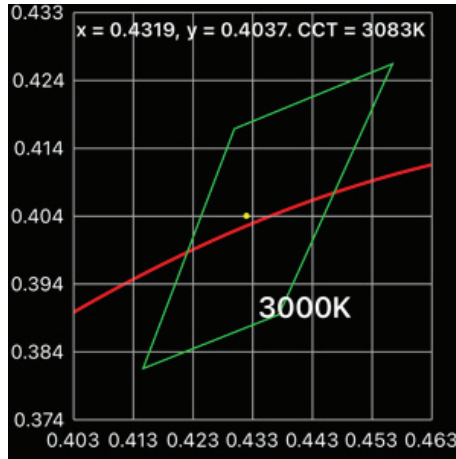
CCT Measurement - PHX 1.5 RGBL at 3200K

Note: The following CCT measurements for the PHX 1.5 RGBL Ellipsoidal were taken at:

- Taken at 10'
- Utilizing fixed beam 26° standard lens system
- After 30 Minute warm up
- 22°C (71°F) Environment
- DMX 8 Bit – 4 Channel mode
- Smoothing Off

DMX % SETTINGS			
Red	Green	Blue	Lime
100	62	63	100

Parameter	Value
CCT	3083 K
Duv	0.0006
CIE1931 x	0.4319
CIE1931 y	0.4037
CIE1976 u'	0.2475
CIE1976 v'	0.5205
CRI(Ra)	79
Re(R1~R15)	73
CQS	90
TLCI(Qa)	79
GAI	68
TM-30-15 Rf	86
TM-30-15 Rg	109
Illuminance	3049 lux
Foot Candle	283.2 fc



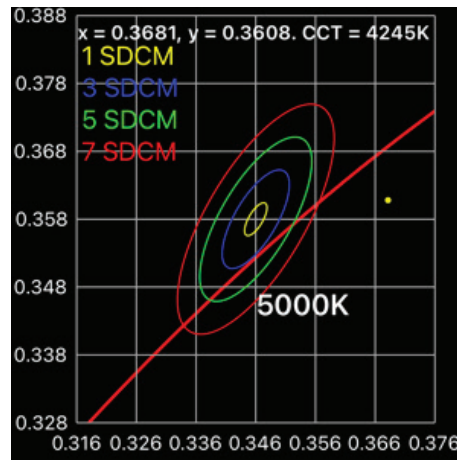
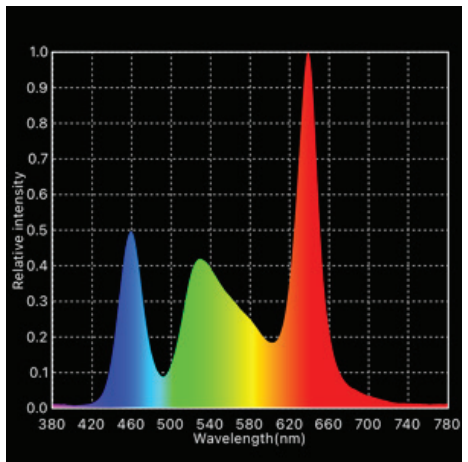
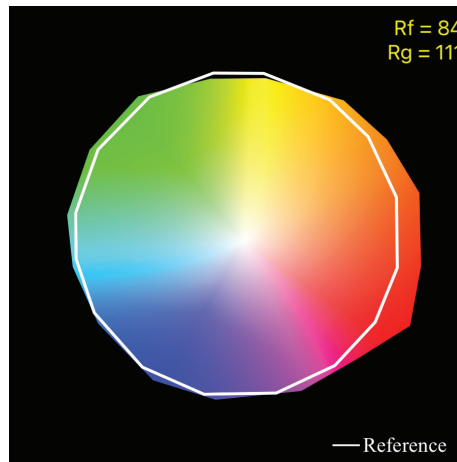
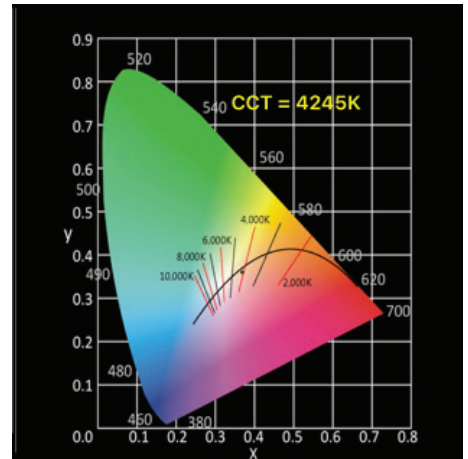
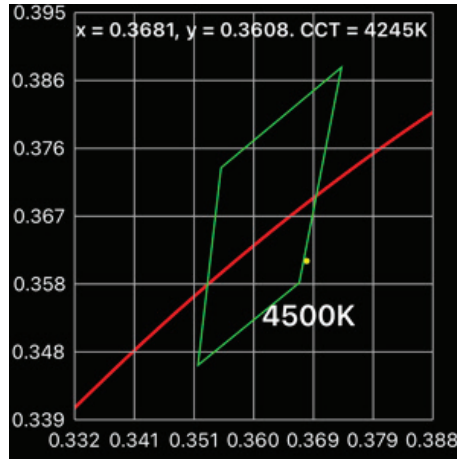
CCT Measurement - PHX 1.5 RGBL at 4200K

Note: The following CCT measurements for the PHX 1.5 RGBL Ellipsoidal were taken at:

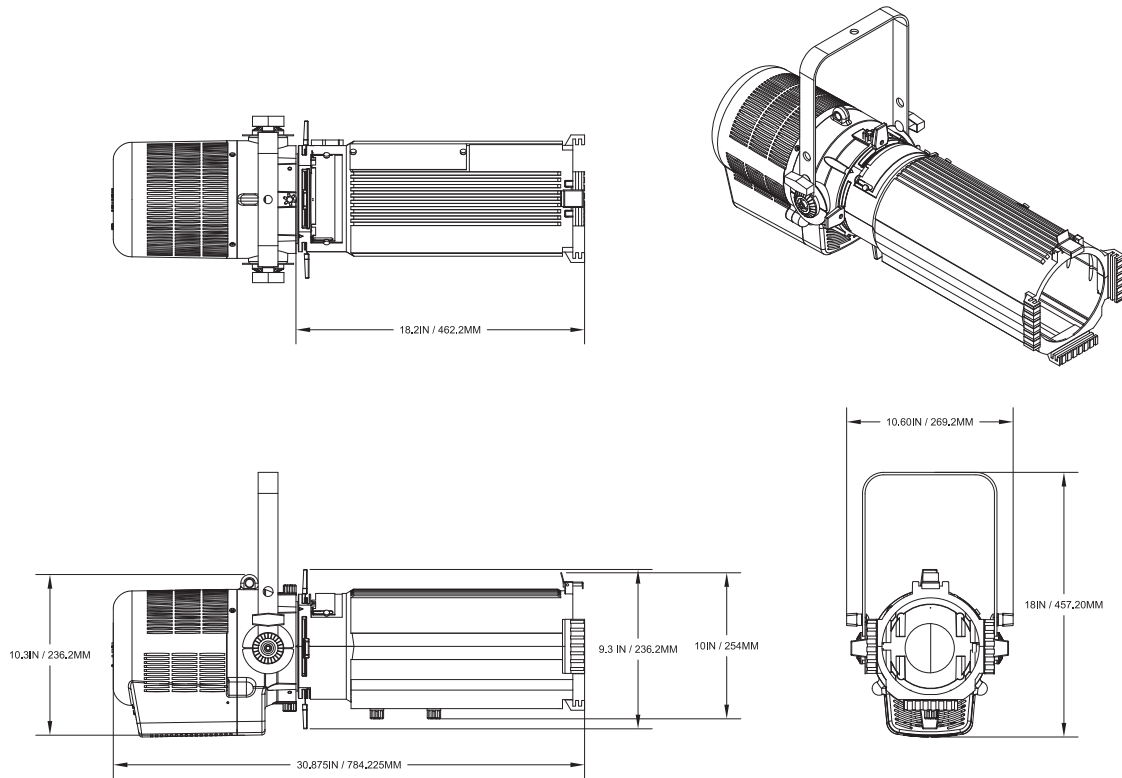
- Taken at 10'
- Utilizing fixed beam 26° standard lens system
- After 30 Minute warm up
- 22°C (71°F) Environment
- DMX 8 Bit – 4 Channel mode
- Smoothing Off

DMX % SETTINGS			
Red	Green	Blue	Lime
100	76	74	100

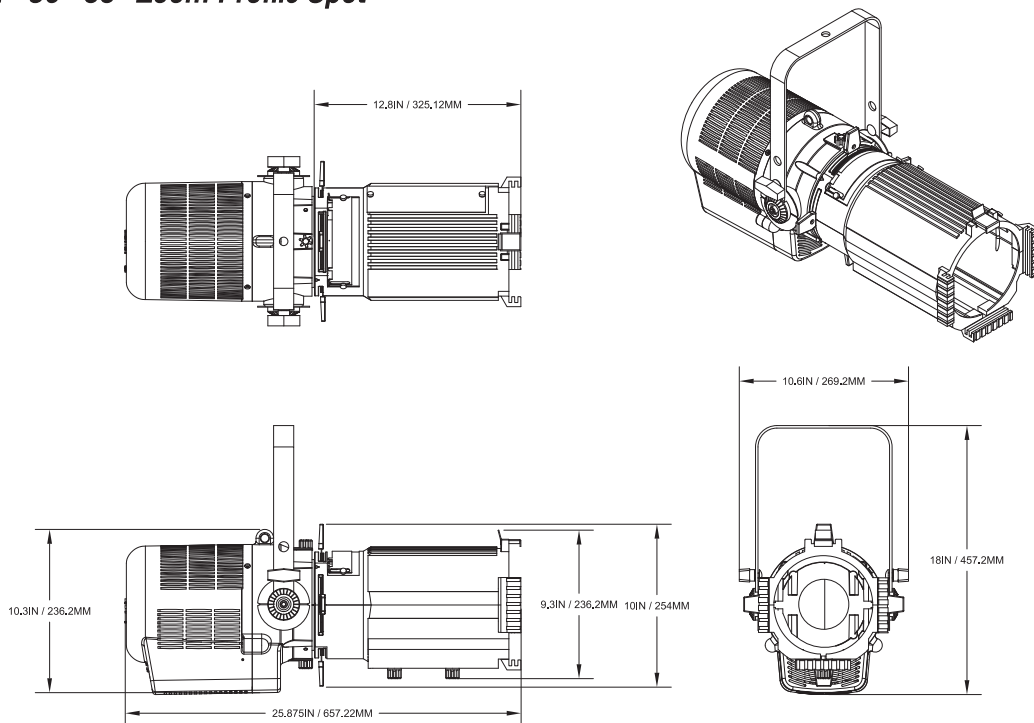
Parameter	Value
CCT	4245 K
Duv	-0.00039
CIE1931 x	0.3681
CIE1931 y	0.3608
CIE1976 u'	0.2233
CIE1976 v'	0.4925
CRI(Ra)	77
Re(R1~R15)	69
CQS	89
TLCI(Qa)	71.4
GAI	101.2
TM-30-15 Rf	84
TM-30-15 Rg	111
Illuminance	3659 lux
Foot Candle	339.9 fc



PHX 1.5 RGLB - 15°-35° Zoom Profile Spot



PHX 1.5 RGLB - 30°-55° Zoom Profile Spot



Specifications

Materials:	Corrosion-resistant materials and hardware
Control:	DMX/RDM
Light Engine:	Available in RGBL
Beam Lumens:	See photometrics
CRI (3K):	94
CQS (3k):	92
TM-30-15 Rf (3k):	91
TM-30-15 Rg (3k):	98
Rated LED Life:	Array rating >50,000 hours to L70
Input Voltage:	100-240 VAC 50/60 Hz
Watts:	150
Current Draw:	1.25A at 120VAC / 0.65A at 230VAC
Max Daisy Chain:	Up to 10 Units @ 120VAC; Up to 20 Units @ 230VAC * Recommended Power linking of units via powercon connection.
LED Engine Cooling:	Convection, passive, silent
Environment:	0 - 40°C (32 - 104°F) with humidity of 5-95% non-condensing
Weight:	27.15 lbs. (12.34 kg.)
Body Color:	Black or White
Compliance:	cETLus, CE and PSE (IP20 Rated for indoor use)
Warranty:	Five (5) years and One (1) day
Support:	Supported Forever - free phone and online tech support for the life of your product.

Note: There are many aftermarket accessories for Altman Lighting products available through third-party suppliers. When considering these aftermarket accessories, we suggest that you consult with your Altman Regional Sales Manager beforehand regarding capability and effects on product performance.



Ordering Information

PHX1.5-(LED ARRAY)-(LENS TYPE)-(FINISH COLOR)

Model	PHX1.5 (PHX1.5 150W LED Zoom Profile)
LED Array:	RGBL (RGBL)
Lens Type:	15Z (15°-35° zoom) or 30Z (30°-55° zoom)
Body Color:	Black (B) or White (W)

Note: Each unit ordered includes a 7-1/2" x 7-1/2" Color Frame (6-CFB), C-Clamp (510), 36" Black Safety Cable (SC-36-BK), PHX Zoom Soft Focus Lens with B-Size Pattern Holder (PHXZ-SFLGSB), and 5-Foot AC Cable PowerCON to Edison (PCL-PBG-12-)*

Accessories

6-CFB	Color Frame, 7-1/2" x 6-1/2"
510	Malleable Iron Pipe Clamp
510-HD	Heavy Duty Malleable Iron Pipe Clamp
SC-36-BK	36" Black Safety Cable with Spring Clamp
6-DN	7-1/2" x 7-1/2" Donut, Black with 3" Hole
PDII	PHX Drop In Iris
PHXZ-SFLGSB	PHX Zoom Soft Focus lens with B Size Pattern Holder
PHXZ-PHGSB	B Size Steel Pattern Holder (86mm OD / 64.5mm IA)
PHXZ-PHGSB-3T	B Size Steel Pattern Holder (86mm OD / 64.5mm IA) 3 Tab Style
PHX-PHISB	B Size Steel Pattern Holder (86mm OD / 64.5mm IA) for Iris Slot
PHX-PHISA-GLS	A Size Glass Pattern Holder (100mm OD / 75mm IA) for Iris Slot
PHX-PHISB-GLS	B Size Glass Pattern Holder (82mm OD / 64.5mm IA) for Iris Slot
PHX-PHIS86-GLS	B Size Glass Pattern Holder (86mm OD / 64.5mm IA) for Iris Slot
PCL-PBG-12-*	5' 20A PowerCON with Parallel Blade U Ground (Edison)
PCL-2P&G-12-5-*	5' 20A PowerCON with 2P&G Stage Pin Connector, Male
PCL-TLG-12-5-*	5' 20A PowerCON with L5-20P Twist Locking Ground Connector, Male
PCL-BARE-12-5-*	5' 20A PowerCON with Bare End Lead

*Note: *=W for White Cable, Black is standard and no suffix is required*