

PHX3.5 LED PROFILE

The 5°, 10°, 19°, 26°, 36° and 50° fixed focus PHX 3.5 LED profiles are state of the art luminaires in function, style, and efficiency. These profiles have been designed and engineered with a number of innovative details and features enhancing versatility and efficiency without sacrificing performance.

PHX 3.5 is a 340 Watt (RGLB) Red, Green, Blue, and Lime Profile Spot outputting over 10,000 Lumens which makes it a true front of house luminaire. A 360° rotating barrel and fully locking shutters help you keep the artistic part of your fixtures' focus intact with virtually no light leak.

The PHX3.5 features an RGLB array that won't force users to choose between deep saturates and gorgeous pastels; you'll be able to achieve brilliant whites ranging from 2700K all the way up to 10,000K along with deep golds, burning reds and springtime lavenders.

Fully locking shutters and a 360° rotating barrel help keep the artistic part of your fixtures focus intact and easy to attain with virtually no light leak. The aesthetic appearance and ergonomically designed function controls only add to the appeal.



PHX3.5 Fixed Lens Profile

Product Features:

- Red, Green, Blue, Lime LED Engine
- 360-degree rotating barrel
- Locking Shutters
- Positive locking double-clutch fixture body
- Heat resistant Plano-Convex lensing
- Die-cast aluminum and sheet metal fabrication
- Wide accessory slot with sliding cover for motorized pattern devices or optional iris
- Fully enclosed Boxed Front end Gel/Accessory holder.
- Color frame, C-Clamp, soft focus pattern holder, safety cable and 5 foot PowerCON included
- PowerCON in and out for daisy-chaining units
- 100 to 240 VAC 50/60 Hz operation
- Available standard in Black or White
- Yoke made from rigid flat steel with dual locking handles, two mounting positions and indexed tilt angle markings
- DMX512 in/thru via 5-pin XLR connector
- Compatible with DMX 512 and RDM protocols
- Multiple on-board control options: color fades and strobes
- User friendly control interface
- Console free stand alone Player Mode
- Multiple Dimming Curves
- Dimming - Smoothing Mode
- 8-bit or 16-bit virtual dimming engine provides smooth, high quality fades and minimizes color shift during dimming
- Four different control settings of:
 - 16-Bit Mode, Master Channel On (10 DMX Channels)
 - 16-Bit Mode, Master Channel Off (8 DMX Channels)
 - 8-bit Mode, Master Channel On (5 DMX Channels)
 - 8-bit Mode, Master Channel Off (4 DMX Channels)
- 25.5 lbs. (11.56 kg.)
- cETLus, CE and PSE (IP20 Rated for indoor use)
- Assembled in the USA
- Five (5) year and one (1) day warranty
- No cost technical support for the life of your product



Photometric Performance - PHX 3.5 RGBL Luminaires (at Full Intensity)

Note: all photometric data is taken after a 90 minute warm up time period with all colors at full intensity.

5 Degree Lens - 10689.75 Lumens

Throw Distance (d)	20' 6m	30' 9m	40' 12.2m	50' 15.2m	60' 18.28m	70' 21.33m	80' 24.38m	90' 27.43m	100' 30.48m
Beam Size Diameter	2.40' 0.73m	3.60' 1.09m	4.80' 1.46m	6.00' 1.82m	7.20' 2.19m	8.40' 2.56m	9.60' 2.92m	10.80' 3.29m	12.00' 3.65m
Illuminance = fc (Illuminance = lux)	3481 (37472)	1547 (16654)	870 (9368)	557 (5996)	387 (4164)	284 (3059)	218 (2342)	172 (1850)	139 (1499)

10 Degree Lens - 9514.72 Lumens

Throw Distance (d)	20' 6m	30' 9m	40' 12.2m	50' 15.2m	60' 18.28m	70' 21.33m	80' 24.38m	90' 27.43m	100' 30.48m
Beam Size Diameter	3.00' 0.91m	4.50' 1.37m	6.00' 1.82m	7.50' 2.286m	9.00' 2.74m	10.50' 3.20m	12.00' 3.65m	13.50' 4.11m	15.00' 4.57m
Illuminance = fc (Illuminance = lux)	1682 (18102)	747 (8045)	420 (4526)	269 (2896)	187 (2011)	137 (1478)	105 (1131)	83 (894)	67 (724)

19 Degree Lens - 11581.75 Lumens

Throw Distance (d)	10' 3m	15' 4.65m	20' 6m	25' 7.6m	30' 9m	40' 12.2m	50' 15.2m
Beam Size Diameter	3.10' 0.94m	4.65' 1.41m	6.20' 1.88m	7.75' 2.36m	9.30' 2.83m	12.40' 3.77m	15.50' 4.72m
Illuminance = fc (Illuminance = lux)	1415 (15231)	629 (6769)	354 (3808)	226 (2437)	157 (1692)	88 (952)	57 (609)

26 Degree Lens - 11095 Lumens

Throw Distance (d)	10' 3m	15' 4.65m	20' 6m	25' 7.6m	30' 9m	40' 12.2m	50' 15.2m
Beam Size Diameter	4.55' 1.38m	6.83' 2.08m	9.10' 2.77m	11.38' 3.46m	13.65' 4.16m	18.20' 5.54m	22.75' 6.93m
Illuminance = fc (Illuminance = lux)	740 (7965)	329 (3540)	185 (1991)	118 (1274)	82 (885)	46 (498)	30 (319)

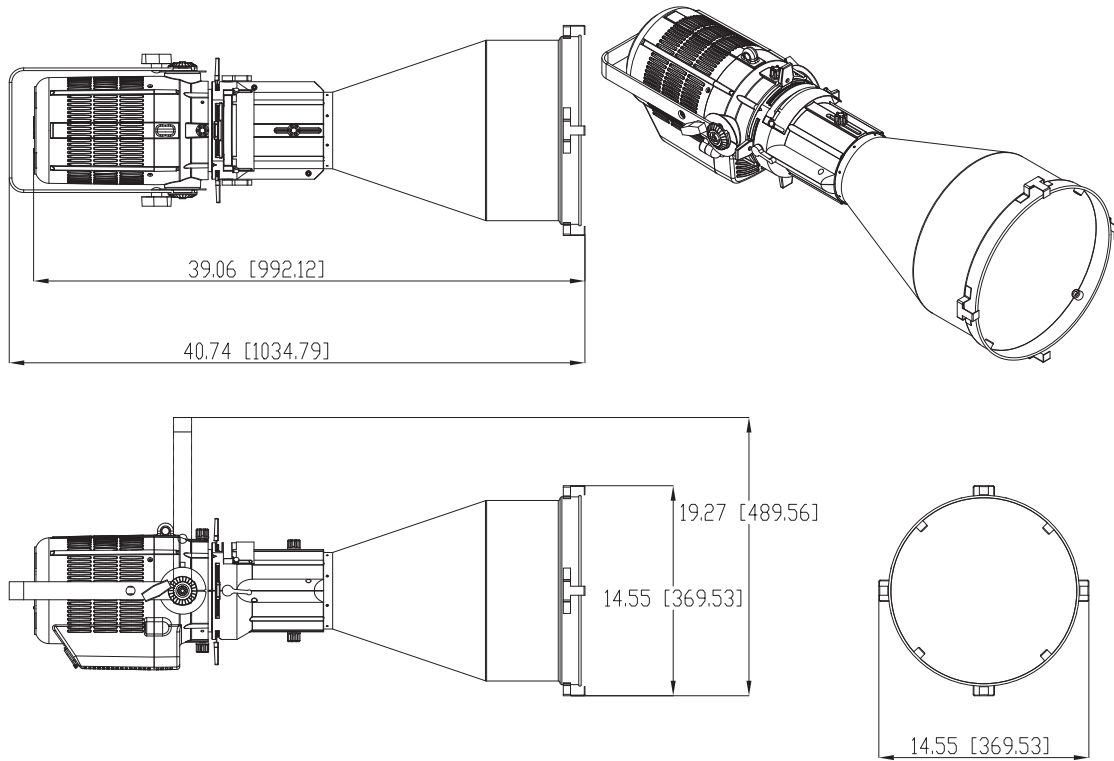
36 Degree Lens - 11550.21 Lumens

Throw Distance (d)	10' 3m	15' 4.65m	20' 6m	25' 7.6m	30' 9m	40' 12.2m	50' 15.2m
Beam Size Diameter	6.10' 1.85m	9.15' 2.78m	12.20' 3.71m	15.25' 4.64m	18.30' 5.57m	24.40' 7.43m	30.50' 9.29m
Illuminance = fc (Illuminance = lux)	445 (4790)	198 (2129)	111 (1197)	71 (766)	49 (532)	28 (299)	18 (192)

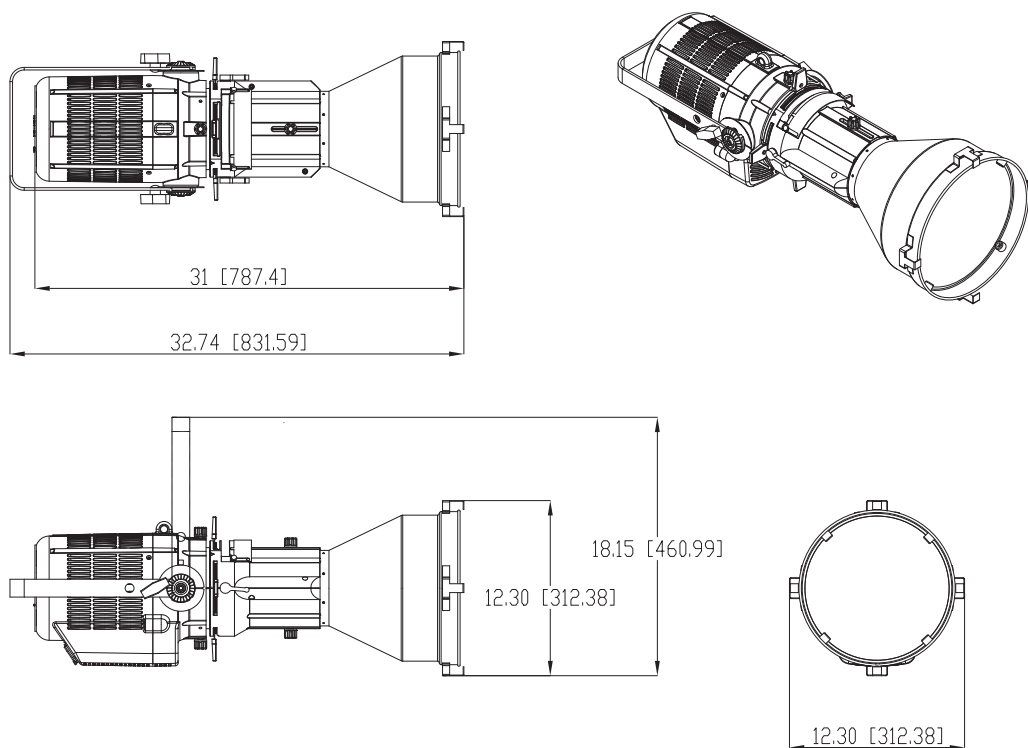
50 Degree Lens - 9459.5 Lumens

Throw Distance (d)	10' 3m	15' 4.65m	20' 6m	25' 7.6m	30' 9m	40' 12.2m	50' 15.2m
Beam Size Diameter	7.55' 2.30m	11.33' 3.45m	15.10' 4.60m	18.88' 5.75m	22.65' 6.90m	30.20' 9.20m	37.75' 11.50m
Illuminance = fc (Illuminance = lux)	236 (2540)	105 (1129)	59 (635)	38 (406)	26 (282)	15 (159)	9 (102)

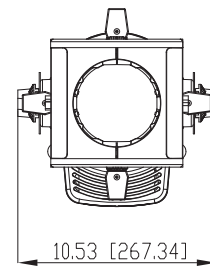
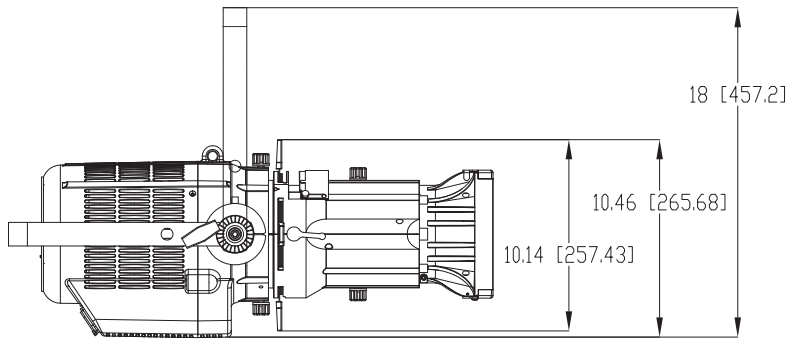
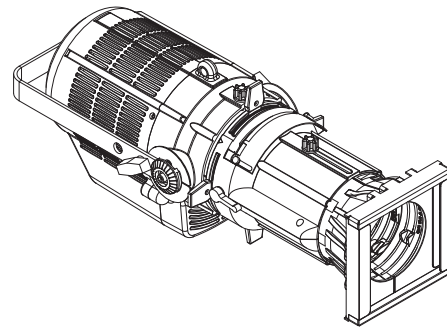
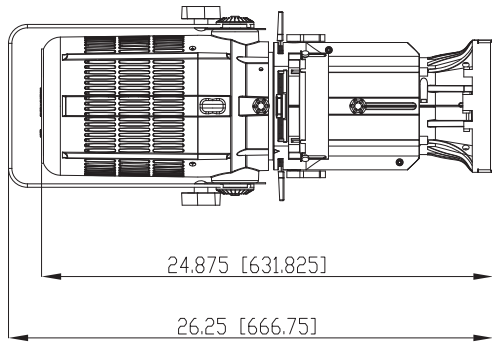
PHX 3.5 RGL - 5 Degree Profile Spot



PHX 3.5 RGL - 10 Degree Profile Spot



PHX 3.5 RGL - 19 / 26 / 36 / 50 Degree Profile Spot



Specifications

Materials: Corrosion-resistant materials and hardware

Control: DMX/RDM

Light Engine: Available in RGBL

Beam Lumens: See photometrics

Rated LED Life: Array rating >50,000 hours to L70

Input Voltage: 100-240 VAC 50/60 Hz

Watts: 340

Current Draw: 1.25A at 120VAC / 0.65A at 230VAC

Quiescent Load: 0.087 AMP (10.54 Watts) @ 120 VAC*
0.045 AMP (10.54 Watts) @ 240 VAC*
*Fan and display off

LED Engine Cooling: Active with progressive output management

Power Factor: ≥ 0.95

Max Daisy Chain: Up to 5 Units at 120VAC*
Up to 10 units at 230 VAC*
* Recommended Power linking of units via powercon connection.

Environment: 0 - 50°C (32 - 122°F) with humidity of 5-95% non-condensing)

Weight: 26.55 lbs. (12.04 kgs.)

Body Color: Black or White

Compliance: cETLus, CE and PSE (IP20 Rated for indoor use)

Warranty: Five (5) years and One (1) day

Support: Supported Forever - free phone and online tech support for the life of your product.

DMX VALUES FOR WHITE SETTINGS:

	RED	GREEN	BLUE	LIME	WATTS
3200K	100%	73%	63%	100%	193W
4200K	100%	88%	72%	100%	230W
5600K	100%	96%	84%	100%	267W

Note: There are many aftermarket accessories for Altman Lighting products available through third-party suppliers. When considering these aftermarket accessories, we suggest that you consult with your Altman Regional Sales Manager beforehand regarding capability and effects on product performance.



Ordering Information

PHX3.5-(LED ARRAY)-(LENS TYPE)-(FINISH COLOR)

Model PHX3.5 (PHX 340W LED Profile Spot)

LED Array: RGBL (RGBL)

Lens Type: 5 (5°), 10 (10°), 19 (19°), 26 (26°), 36 (36°), or 50 (50°)

Body Color: Black (B) or White (W)

Note: Each unit ordered includes a 6-1/4" x 6-1/4" Color Frame (4.5-CFB), C-Clamp (510), 36" Black Safety Cable (SC-36-BK), PHX Soft Focus Lens with A-Size Pattern Holder (PHX-SFLGSA), and 5-Foot AC Cable PowerCON to Edison (PCL-PBG-12-).*

Accessories

- 4.5-CFB** Color Frame, 6-1/4" x 6-1/4"
- 10-CFB** Black Color Frame, 12" x 12" (Included with PHX-10)
- 12-CFB** Black Color Frame, 14" x 14" (Included with PHX-5)
- 510** Malleable Iron Pipe Clamp
- 510-HD** Heavy Duty Malleable Iron Pipe Clamp
- SC-36-BK** 36" Black Safety Cable with Spring Clamp
- 4.5-DN** 6-1/4" x 6-1/4" Donut, Black with 2-1/2" Hole
- 10-DN** 12" x 12" Donut, Black for 10° lens
- 12-SN** 14" x 14" Donut, Black for 5° lens
- PDII** Phoenix Drop In Iris
- PHX-SFLGSA** PHX Soft Focus lens with A Size Pattern Holder
- PHX-PHGSA** A Size Steel Pattern Holder (100mm OD / 75mm IA)
- PHX-PHGSB** B Size Steel Pattern Holder (86mm OD / 64.5mm IA)
- PHX-PHGSA-GLS** B Size Glass Pattern Holder (82mm OD / 64.5mm IA)
- PHX-PHGSA86-GLS** B Size Glass Pattern Holder (86mm OD / 64.5mm IA)
- PHX-PHISB** B Size Steel Pattern Holder (86mm OD / 64.5mm IA) for Iris Slot
- PHX-PHISA-GLS** A Size Glass Pattern Holder (100mm OD / 75mm IA) for Iris Slot
- PHX-PHISB-GLS** B Size Glass Pattern Holder (82mm OD / 64.5mm IA) for Iris Slot
- PHX-PHISA86-GLS** B Size Glass Pattern Holder (86mm OD / 64.5mm IA) for Iris Slot
- PCL-PBG-12-*** 5' 20A PowerCON with Parallel Blade U Ground (Edison)
- PCL-2P&G-12-5-*** 5' 20A PowerCON with 2P&G Stage Pin Connector, Male
- PCL-TLG-12-5-*** 5' 20A PowerCON with L5-20P Twist Locking Ground Connector, Male
- PCL-BARE-12-5-*** 5' 20A PowerCON with Bare End Lead

*Note: *=W for White Cable, Black is standard and no suffix is required*



Altman Lighting
1400 East 66th Avenue
Denver, CO 80229 USA

+1 303 500-7072
sales@altmanlighting.com
support@altmanlighting.com

10 October 2022 © 2022 Altman Stage Lighting, Inc.
All specifications, descriptions, information, design, etc. contained in this document are subject to change without prior notice. All rights reserved. 49-0212