

# SPECTRA STAR PAR 100W LED

The Spectra Star PAR is a 100 Watt PAR Luminaire utilizing high efficiency Philips Luxeon Rebel LED emitters. Featuring a durable, light weight die cast aluminum housing the Spectra Star PAR is available as a pipe mount or Smart Track™ fixture. Designed for theatrical and architectural applications, the SPECTRA Star PAR acts as a true PAR lighting fixture with tools-free exchangeable VNSP, NSP, MFL, WFL, and (optional) XWFL Lenses.

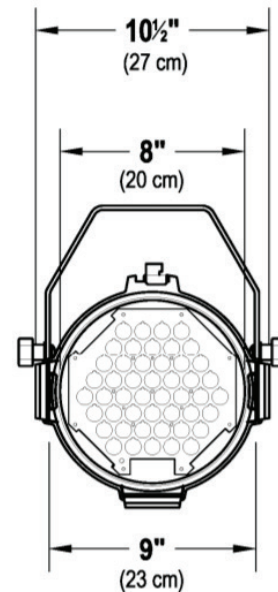
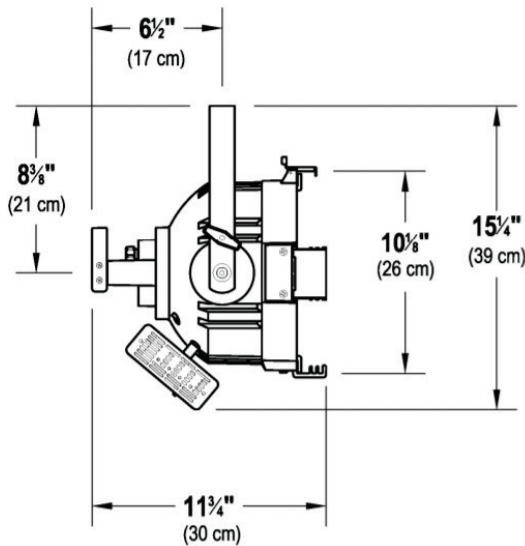
An on board power supply allows for direct power & data connection to conventional distribution or a Smart Track™ systems. The Spectra StarPAR 100 watt PAR is compatible with both DMX & RDM protocols, and comes complete with a library of preprogrammed single colors and various color mixes. Shows and addressing are accessed via the push button display.



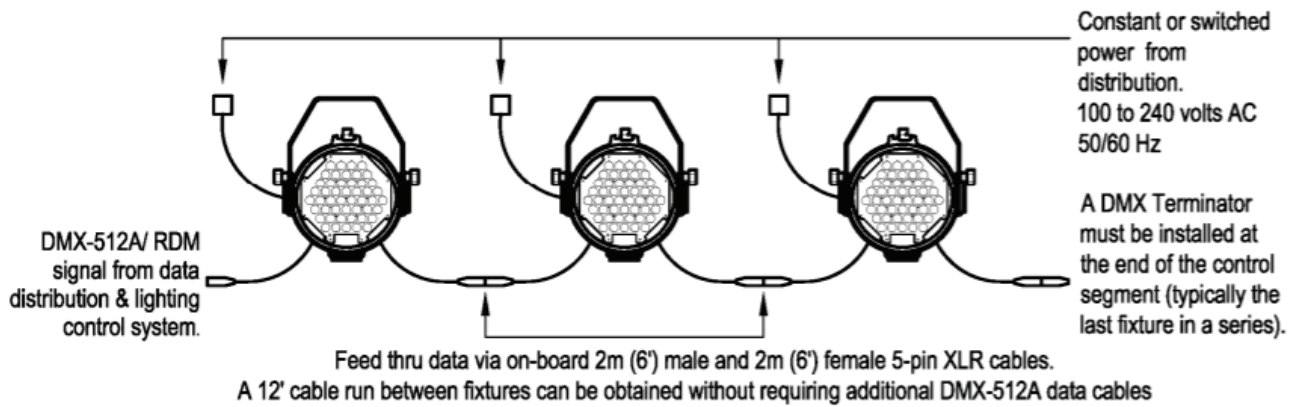
*Spectra Star Par RGBWA*

**Product Features:**

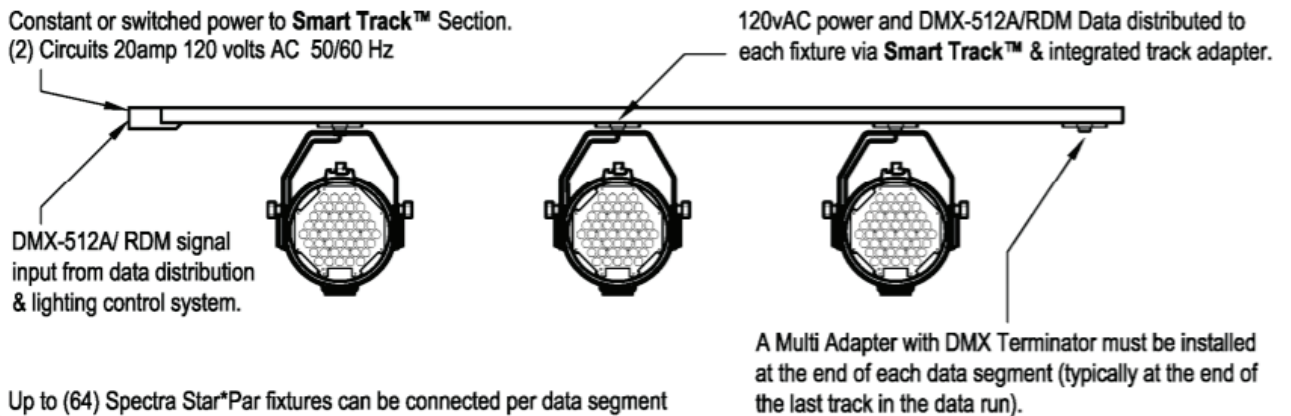
- Available in 4 Standard LED color configurations: RGBWA, RGBW, 3K White or 3K-6K Tunable White†
- Convection Cooled.
- Available in pipe mount and Smart Track™ versions.
- Tool-free exchangeable VNSP, NSP, MFL, WFL & XWFL lenses.
- On-board multi-voltage power supply 100-240VAC or Mains Dimmable drivers.
- Feed through data capabilities using 5-pin XLR connectors.
- Compatible with DMX and RDM protocols.
- Push button addressing.
- Pre-programmed modes for fixed colors, timed color changes and strobes.
- 16 lbs.
- ETL & cETL listed.
- Made in the USA



**Basic wiring diagram for SSSP\*-\* Spectra Star PAR (Portable/Theatrical Version)**



**Basic wiring diagram for SSSPY\*-\* Spectra Star PAR (Smart Track™ Version)**



**Performance per Lens:**

**RGBA:**

**VNSP Lens**

|                    |                            |                            |                        |                            |
|--------------------|----------------------------|----------------------------|------------------------|----------------------------|
| Throw Distance (d) | 10'<br>3m                  | 15'<br>4.6m                | 20'<br>6.1m            | 25'<br>7.6m                |
| Beam Size, (H x V) | 1.7' x 1.7'<br>0.5m x 0.5m | 2.5' x 2.5'<br>0.8m x 0.8m | 3.3' x 3.3'<br>1m x 1m | 4.2' x 4.2'<br>1.3m x 1.3m |
| Illuminance (fc)   | 215                        | 96                         | 54                     | 34                         |
| Illuminance (lux)  | 2,316                      | 1,029                      | 579                    | 371                        |

**NSP Lens**

|                    |                            |                        |                            |                            |
|--------------------|----------------------------|------------------------|----------------------------|----------------------------|
| Throw Distance (d) | 10'<br>3m                  | 15'<br>4.6m            | 20'<br>6.1m                | 25'<br>7.6m                |
| Beam Size, (H x V) | 2.2' x 2.2'<br>0.7m x 0.7m | 3.3' x 3.3'<br>1m x 1m | 4.4' x 4.4'<br>1.3m x 1.3m | 5.5' x 5.5'<br>1.7m x 1.7m |
| Illuminance (fc)   | 147                        | 65                     | 37                         | 23                         |
| Illuminance (lux)  | 1,579                      | 702                    | 395                        | 253                        |

**MFL Lens**

|                    |                             |                            |                            |                            |
|--------------------|-----------------------------|----------------------------|----------------------------|----------------------------|
| Throw Distance (d) | 10'<br>3m                   | 15'<br>4.6m                | 20'<br>6.1m                | 25'<br>7.6m                |
| Beam Size, (H x V) | 3.27' x 2.5'<br>1.1m x 0.7m | 5.6' x 3.7'<br>1.7m x 1.1m | 7.4' x 4.9'<br>2.3m x 1.5m | 9.3' x 6.1'<br>2.8m x 1.9m |
| Illuminance (fc)   | 81                          | 36                         | 20                         | 13                         |
| Illuminance (lux)  | 871                         | 387                        | 218                        | 139                        |

**WFL Lens**

|                    |                          |                             |                           |                             |
|--------------------|--------------------------|-----------------------------|---------------------------|-----------------------------|
| Throw Distance (d) | 10'<br>3m                | 15'<br>4.6m                 | 20'<br>6.1m               | 25'<br>7.6m                 |
| Beam Size, (H x V) | 7' x 3.5'<br>2.1m x 1.1m | 10.5' x 5.3'<br>3.2m x 1.6m | 14' x 7.1'<br>4.3m x 2.1m | 17.5' x 8.8'<br>5.3m x 2.7m |
| Illuminance (fc)   | 41                       | 18                          | 10                        | 7                           |
| Illuminance (lux)  | 438                      | 194                         | 109                       | 70                          |

**XWFL Lens**

|                    |                            |                              |                          |                            |
|--------------------|----------------------------|------------------------------|--------------------------|----------------------------|
| Throw Distance (d) | 10'<br>3m                  | 15'<br>4.6m                  | 20'<br>6.1m              | 25'<br>7.6m                |
| Beam Size, (H x V) | 9.5' x 9.6'<br>2.9m x 2.9m | 14.3' x 14.3'<br>4.4m x 4.4m | 19' x 19'<br>5.8m x 5.8m | 23.8' x 24'<br>7.2m x 7.3m |
| Illuminance (fc)   | 35                         | 18                           | 11                       | 7                          |
| Illuminance (lux)  | 377                        | 204                          | 118                      | 75                         |

**3K White**

**VNSP Lens**

|                    |                            |                            |                        |                            |
|--------------------|----------------------------|----------------------------|------------------------|----------------------------|
| Throw Distance (d) | 10'<br>3m                  | 15'<br>4.6m                | 20'<br>6.1m            | 25'<br>7.6m                |
| Beam Size, (H x V) | 1.7' x 1.7'<br>0.5m x 0.5m | 2.5' x 2.5'<br>0.8m x 0.8m | 3.3' x 3.3'<br>1m x 1m | 4.2' x 4.2'<br>1.3m x 1.3m |
| Illuminance (fc)   | 471                        | 209                        | 118                    | 75                         |
| Illuminance (lux)  | 5,068                      | 2,252                      | 1,267                  | 811                        |

**NSP Lens**

|                    |                            |                        |                            |                            |
|--------------------|----------------------------|------------------------|----------------------------|----------------------------|
| Throw Distance (d) | 10'<br>3m                  | 15'<br>4.6m            | 20'<br>6.1m                | 25'<br>7.6m                |
| Beam Size, (H x V) | 2.2' x 2.2'<br>0.7m x 0.7m | 3.3' x 3.3'<br>1m x 1m | 4.4' x 4.4'<br>1.3m x 1.3m | 5.5' x 5.5'<br>1.7m x 1.7m |
| Illuminance (fc)   | 364                        | 162                    | 91                         | 58                         |
| Illuminance (lux)  | 3,917                      | 1,741                  | 979                        | 627                        |

**MFL Lens**

|                    |                             |                            |                            |                            |
|--------------------|-----------------------------|----------------------------|----------------------------|----------------------------|
| Throw Distance (d) | 10'<br>3m                   | 15'<br>4.6m                | 20'<br>6.1m                | 25'<br>7.6m                |
| Beam Size, (H x V) | 3.27' x 2.5'<br>1.1m x 0.7m | 5.6' x 3.7'<br>1.7m x 1.1m | 7.4' x 4.9'<br>2.3m x 1.5m | 9.3' x 6.1'<br>2.8m x 1.9m |
| Illuminance (fc)   | 181                         | 80                         | 45                         | 29                         |
| Illuminance (lux)  | 1,948                       | 866                        | 487                        | 312                        |

**WFL Lens**

|                    |                          |                             |                           |                             |
|--------------------|--------------------------|-----------------------------|---------------------------|-----------------------------|
| Throw Distance (d) | 10'<br>3m                | 15'<br>4.6m                 | 20'<br>6.1m               | 25'<br>7.6m                 |
| Beam Size, (H x V) | 7' x 3.5'<br>2.1m x 1.1m | 10.5' x 5.3'<br>3.2m x 1.6m | 14' x 7.1'<br>4.3m x 2.1m | 17.5' x 8.8'<br>5.3m x 2.7m |
| Illuminance (fc)   | 88                       | 39                          | 22                        | 14                          |
| Illuminance (lux)  | 947                      | 421                         | 237                       | 152                         |



## Specifications

|                         |   |
|-------------------------|---|
| <b>Materials:</b>       | Corrosion-resistant materials and hardware  |
| <b>Housing:</b>         | Aluminum  |
| <b>Control:</b>         | DMX (Fully RDM Compliant)   |
| <b>Light Engine</b>     | Luxeon Rebel LEDs – 100 Watts Max at full RGBA  |
| <b>Lensing:</b>         | Borosilicate glass 8" diameter PAR64  |
| <b>Power:</b>           | 100 Watts   |
| <b>Voltage:</b>         | 120-240VAC  |
| <b>Cooling:</b>         | Passive, convection   |
| <b>Environment:</b>     | 0 to 40 degrees C (32 to 104 degreesF)  |
| <b>Data Connection:</b> | Two 6' 5-Pin XLR cables for DMX:1 Male & 1 Female or Smart Track™                                 |
| <b>AC Connection:</b>   | 6-foot, with Edison connector   |
| <b>Color:</b>           | Black, White or Silver TGIC polyester. Custom colors available - consult factory before ordering. |
| <b>Weight:</b>          | 16lbs. (7.26kgs.)   |
| <b>Compliance:</b>      | cETLus listed, CE marked  |
| <b>Warranty:</b>        | Five (5) years and One (1) day  |
| <b>Support:</b>         | Supported Forever - free phone and online tech support for the life of your product.              |

### NOTE:

A maximum recommended spacing is 4-foot on center, 2 to 4-foot back from lighted area. For a brighter, more saturated effect, Spectra Star Par fixtures can be set closer together and to the lighted area.

## Ordering Information

### (Model)-(LED Array)-(Body Color)-(Control)

|                    |  |
|--------------------|--|
| <b>Model:</b>      | SSSP - Spectra Star Par Portable<br>SSSPY - Spectra Star Par for Eutrac Track<br>SSSP-TS -Spectra Star Par for Stucchi Track |
| <b>LED Arrays:</b> | RGBA, RGBW, 3K White, 6K White, 3K6K<br>Tunable White or Custom (C)*   |
| <b>Body Color:</b> | Black (B) or White (W) or Custom (C)**   |
| <b>Control:</b>    | DMX (D) or Mains (M)   |

### Notes:

\*Consult factory for custom LED array. The RGBW version utilizes 3K emitters for the white channel. Variants will be considered custom.

\*\*Black (BK) or White (WH) or Custom (CP). Consult factory for custom colors.

Unit is supplied with Set of four lenses (VNSP, NSP, MFL, and WFL - 97-0150) and Safety Cable (SC-36-BK)

## Optional Accessories

|                        |  |
|------------------------|--|
| <b>XLR-5-5</b>         | 5' 5-Pin XLR Extension Cable   |
| <b>XLR-5-10</b>        | 10' 5-pin XLR Extension Cable  |
| <b>XLR-5-25</b>        | 25' 5-pin XLR Extension Cable  |
| <b>99-DMX-TERM 510</b> | In line 5-pin DMX terminator<br>Malleable Iron Pipe Clamp for 3/4"-1 1/2" Pipe |
| <b>8-BD-4</b>          | Four Leaf Barndoor   |
| <b>8-CFB</b>           | Black Color Frame 10"x10"  |
| <b>8-SN</b>            | Black Snoot  |