

# ACCLAIM LED FRESNEL

Date: \_\_\_\_\_

Type: \_\_\_\_\_

Firm Name: \_\_\_\_\_

Project: \_\_\_\_\_

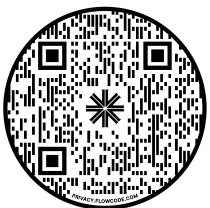
The Strand Acclaim LED Fresnel is a full color theatrical Fresnel wash fixture designed specifically for small to medium spaces. The Acclaim has set the standard in 500 W/650 W lighting for a generation, and this new LED version offers saturated stage color washes and dramatic highlighting capabilities thanks to the high quality, industry standard 4.75" front lens coupled with the engineering excellence that has set Strand apart for over a century. A true theatrical Fresnel, the Acclaim LED Fresnel offers superior control and light quality to comparable PAR fixtures. The adjustable 10° to 50° zoom provides manual adjustment with minimal light scatter, and the even, soft-edged beam easily blends with adjacent fixtures without hard edges to soften with frost filters or hot spots to smooth out in the beam. To shape the beam, users can add an optional rotating four leaf barndoor that mounts on the front of the fixture and rotates around the axis for the perfect angle. The Acclaim LED Fresnel is available in black or white.



- 500 W/650 W-equivalent LED Fresnel – true Fresnel with superior control and light quality than comparable PAR fixtures.
- Built with the DNA of Strand - cost-effective luminaire from the original name in theatrical lighting.
- Integrated 10° to 50° manual zoom – precise beam sizing with minimal light scatter.
- Optional rotating 4-leaf barn doors – shape the beam to focus light where you need it.

- Custom LED light source and RGBL color mixing system – consistent output and color mixing with the entire Acclaim LED Series.
- Available in black or white – the perfect body color for your application.

For detailed product information, please refer to the Product Guide at <https://www.vari-lite.com/global/products/acclaim-led-fresnel>



VARI\*LITE

# Specifications

Due to continuous improvements and innovations, specifications may change without notice.

## Source

LED	Multichromatic Light Engine - RGBL
Source Max Power Consumption	150 W
LED Refresh Rate	500 Hz to 4000 Hz
Dimming	Electronic 8-bit / 16-bit
Dimmer Curves	Square Law (Default), Linear, S -Curve
Strobe Speed	0 - 30Hz

## Optical Performance

Lens Size	125 mm (5.0 in)
Zoom Range	10 - 50°
Zoom Control	Manual control
Output Lumens	Beam - 4,500, Field - 8,500 Field - 8500
CRI RA	7100 K - 85 5600 K - 84 3200 K - 80
Tm30	7100 K - Rf 81 / Rg 102 5600 K - Rf 81 / Rg 102 3200 K - Rf 78 / Rg 109
CQS	7100 K - 80
TLCI	7100 K - 80 5600 K - 79 3200 K - 74

## Color System

Color Mixing	RGBL
Color Mixing Control	Open Source
Color Calibration	Selectable On/Off

## Electrical

Max output Power Consumption	170 W
Power Connection	TrueOne Compatible - In / Thru Power cable not included - input connector only
Input Voltage	100–240 VAC, 50 / 60 Hz
Standby Power	8.8 W

## Data

Supported Protocols	DMX512-A (RDM)
DMX Modes	
16-Bit	11 Channels
8-Bit	8 Channels
Data Connections	5 - Pin XLR Input and Thru
Manual Preset Mode	Advanced Feature local control

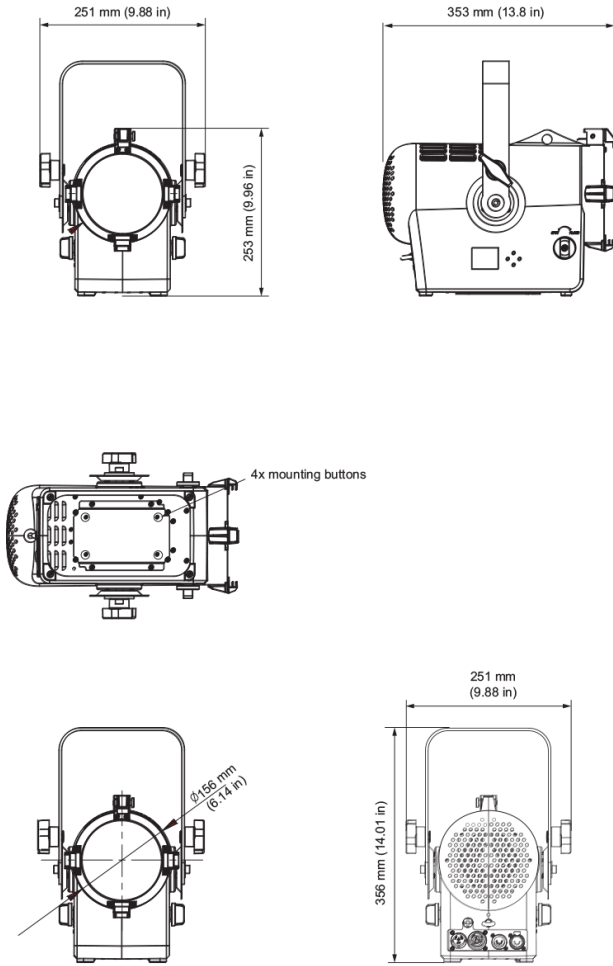
## Noise Level / Fan Control (Base Level 21 dB @ 1 m (3.3 ft))

Standard Mode	42.6 dB
Studio Mode	37 dB
Whisper Mode	33.2 dB
Fan Mode	Continuous (On) / Auto Ramping
Fan Level Preset	Standard, Studio, Whisper
Cooling System Type	Hybrid sealed liquid and forced air system

## Mounting

Yoke	Double clutch locking yoke >270° Swivel Yoke M12 (1/2") Centre hole
Fixture mounting/Hanging orientation	Hanging - Floor - Side
Secondary Safety Wire Point	1 x Safety point located on rear of fixture housing Safety Wire not included

# Dimensions



## Physical

Construction	Superstructure made of Aluminum, and steel metal plates, Covers self-extinguishing fire retardant ABS PC (V0 class)
IP Rating	IP20
Standard Finish	Black, White
Dimensions	190 x 253 x 353 mm (8.0 x 10.0 x 14.0 in)
Dimension (w/ yoke)	356 x 251 x 353 mm (14.0 x 10.0 x 14.0 in)
Fixture Weight	6.0 kg (13.0 lb)
Operating Temperature	-10-40°C (14-104°F)

## Certification and Safety

Approbations  
 ETL (UL & CSA)CB/IECEE Scheme for CE-LVD, FCC, ICES, RCM, CE-EMC, UKCA, RoHS, ISO 9001

# Luminaire and Accessories

Product type	Order Code
ACCLAIM LED FRESNEL, Black	64511-001
ACCLAIM LED FRESNEL, 150W Multichromatic Light Engine - RGBL, c/w Gel Frame & Power input connector, Black	
ACCLAIM LED FRESNEL, White	64511-101
ACCLAIM LED FRESNEL, 150W Multichromatic Light Engine - RGBL, c/w Power input connector, White	
<hr/>	
Accessories	
Acclaim LED barndoor (Black)	64511-010
ACCLAIM LED FRESNEL, Barndoor - 4 Leaf , Black	
Acclaim LED barndoor (White Outer)	64511-110
ACCLAIM LED FRESNEL, Barndoor - 4 Leaf , White Outer	



© 2023 Signify Holding. All rights reserved. All trademarks are owned by Signify Holding or their respective owners. The information provided herein is subject to change, without notice. Signify does not give any representation or warranty as to the accuracy or completeness of the information included herein and shall not be liable for any action in reliance thereon. The information presented in this document is not intended as any commercial offer and does not form part of any quotation or contract, unless otherwise agreed by Signify. Data subject to change.

07/11/2023

Vari-Lite  
<https://www.vari-lite.com/global/products/acclaim-led-fresnel>