

MAVERICK

MK PYXIS

User Manual



Model ID: MAVERICKMKPYXIS

CHAUVET
PROFESSIONAL

Edition Notes

The Maverick MK Pyxis User Manual includes a description, safety precautions, installation, programming, operation, and maintenance instructions for the Maverick MK Pyxis as of the release date of this edition.

Trademarks

Chauvet, Chauvet Professional, the Chauvet logo, and Maverick are registered trademarks or trademarks of Chauvet & Sons, LLC (d/b/a Chauvet and Chauvet Lighting) in the United States and other countries. Other company and product names and logos referred to herein may be trademarks of their respective companies.

Copyright Notice

The works of authorship contained in this manual, including, but not limited to, all design, texts, and images are owned by Chauvet.

© **Copyright 2022 Chauvet & Sons, LLC. All rights reserved.**

Electronically published by Chauvet in the United States of America.

Manual Use

Chauvet authorizes its customers to download and print this manual for professional information purposes only. Chauvet expressly prohibits the usage, copy, storage, distribution, modification, or printing of this manual or its content for any other purpose without written consent from Chauvet.

Document Printing

For best results, print this document in color, on letter size paper (8.5 x 11 in), double-sided. If using A4 paper (210 x 297 mm), configure the printer to scale the content accordingly.

Intended Audience

Any person installing, operating, and/or maintaining this product should completely read through the guide that shipped with the product, as well as this manual, before installing, operating, or maintaining this product.

Disclaimer

Chauvet believes that the information contained in this manual is accurate in all respects. However, Chauvet assumes no responsibility and specifically disclaims any and all liability to any party for any loss, damage, or disruption caused by any errors or omissions in this document, whether such errors or omissions result from negligence, accident, or any other cause. Chauvet reserves the right to revise the content of this document without any obligation to notify any person or company of such revision; however, Chauvet has no obligation to make, and does not commit to make, any such revisions. Download the latest version from www.chauvetprofessional.com.

Document Revision

This Maverick MK Pyxis User Manual is the 7th edition of this document. Go to www.chauvetprofessional.com for the latest version.

TABLE OF CONTENTS

- 1. Before You Begin** 1
 - What Is Included 1
 - Claims 1
 - Manual Conventions 1
 - Symbols 1
 - Safety Notes..... 2
 - Personal Safety..... 2
 - Mounting and Rigging 2
 - Power and Wiring..... 2
 - Operation 2
 - Expected LED Lifespan..... 2
- 2. Introduction** 3
 - Description 3
 - Features 3
 - Product Overview..... 3
 - Product Dimensions 4
- 3. Setup** 5
 - AC Power 5
 - AC Plug..... 5
 - Power Linking..... 5
 - Fuse Replacement 5
 - Remote Device Management (RDM)..... 5
 - Mounting 6
 - Orientation..... 6
 - Rigging 6
 - Mounting Diagram..... 6
 - Signal Connections 7
 - Art-Net™ Connection 7
 - sACN Connection..... 7
 - Kling-Net Connection 7
 - Connection Diagram 7
- 4. Operation** 8
 - Touchscreen Control Panel..... 8
 - Control Panel Description 8
 - Battery Powered Display 8
 - Menu Map 8
 - Protocol Configuration..... 13
 - Control Personalities 13
 - Single Control..... 13
 - Single Control Protocol 13
 - Single Control Personality 13
 - Single Control Start Address..... 13
 - Single Control Universe 14
 - Dual Control 14
 - Dual Control Movement 14
 - Dual Control Movement Protocol 14
 - Dual Control Movement Personality..... 14
 - Dual Control Movement Start Address..... 14
 - Dual Control Movement Universe 15

Dual Control Pixels.....	15
Dual Control Pixels Protocol	15
Dual Control Pixels Personality.....	15
Dual Control Pixels Start Address.....	15
Dual Control Pixels Universe	16
Zones for Pixel Control.....	16
Single Control Values.....	16
Single Control: Tour Mode (131-channel)	16
Single Control: Advanced Mode (113-channel).....	21
Single Control: Standard Mode (66-channel).....	26
Single Control: Basic Mode (26-channel).....	30
Dual Control Values	33
Dual Control Movement	33
Dual Control: Advanced Movement Mode (41-channel)	33
Dual Control: Standard Movement Mode (30-channel).....	37
Dual Control: Basic Movement Mode (13-channel)	40
Dual Control Pixels.....	41
Dual Control: Advanced Pixels Mode (80-channel)	41
Dual Control: Standard Pixels Mode (40-channel).....	43
Dual Control: Basic Pixels Mode (30-channel).....	44
Operating Settings Configuration	45
Home Screen	45
Test Mode	45
Auto Test.....	45
Manual Test	45
Setup.....	45
Network Settings	45
IP Mode.....	45
IP Address.....	46
Subnet Mask	46
Pan/Tilt Orientation	46
Zoom Orientation	46
Display Orientation.....	47
Pan/Tilt Angle Range	47
Blackout on Pan/Tilt Movement	47
Touchscreen Calibration	47
Touchscreen Lock.....	47
Lock Screen	48
Swap Pan and Tilt.....	48
WDMX Reset	48
Backlight Timer	48
Loss of Data.....	48
Fan Speed.....	49
Color-Mixing Mode	49
Dimmer Curve	49
Dimmer Speed	49
Pulse Width Modulation	49
Color Balance.....	50
Preset Functions	50
Reset Functions	50
Factory Reset.....	50
System Information	51

Table of Contents

Offset Mode.....	51
Web Server	52
5. Technical Information	53
Product Maintenance	53
6. Technical Specifications	54
Returns.....	55
Contact Us	56

1. Before You Begin

What Is Included

- Maverick MK Pyxis
- Seetronic Powerkon IP65 power cable
- 2 Omega brackets with mounting hardware
- Quick Reference Guide

Claims

Carefully unpack the product immediately and check the container to make sure all the parts are in the package and are in good condition.






If the box or the contents (the product and included accessories) appear damaged from shipping, or show signs of mishandling, notify the carrier immediately, not Chauvet. Failure to report damage to the carrier immediately may invalidate your claim. In addition, keep the box and contents for inspection.

For other issues, such as missing components or parts, damage not related to shipping, or concealed damage, file a claim with Chauvet within 7 days of delivery.

Manual Conventions

Convention	Meaning
1–512	A range of values
50/60	A set of values of which only one can be chosen
<SET>	A button on the product's control panel
Settings	A product function or a menu option

Symbols

Symbol	Meaning
	Electrical warning. Not following these instructions may cause electrical damage to the product, accessories, or the user.
	Critical installation, configuration, or operation information. Not following these instructions may make the product not work, cause damage to the product, or cause harm to the operator.
	Important installation or configuration information. The product may not function correctly if this information is not used.
	Useful information.
	The term “DMX” used throughout this manual refers to the USITT DMX512-A digital data transmission protocol.

Safety Notes

Read all the following safety notes before working with this product. These notes contain important information about the installation, usage, and maintenance of this product.



This product contains no user-serviceable parts. Any reference to servicing in this User Manual will only apply to properly trained, certified technicians. Do not open the housing or attempt any repairs.



All applicable local codes and regulations apply to proper installation of this product.

Personal Safety

- Avoid direct eye exposure to the light source while the product is on.
- Always disconnect this product from its power source before servicing.
- Always connect this product to a grounded circuit to avoid the risk of electrocution.
- Do not touch this product's housing during operation because it may be very hot.

Mounting and Rigging

- The product is for professional use only.
- This product is for indoor use only! To prevent risk of fire or shock, do not expose this product to rain or moisture. (IP20)
- CAUTION: When transferring product from extreme temperature environments, (e.g., cold truck to warm humid ballroom) condensation may form on the internal electronics of the product. To avoid causing a failure, allow product to fully acclimate to the surrounding environment before connecting it to power.
- Mount this product in a location with adequate ventilation, at least 20 in (50 cm) from adjacent surfaces.
- The product should be positioned so that prolonged staring into the luminaire at a distance closer than 12.8 ft (3.9) m is not expected.
- Make sure there are no flammable materials close to this product while it is operating.
- When hanging this product, always secure to a fastening device using a safety cable.
- Never carry the product by the power cable or any moving part.

Power and Wiring

- Make sure the power cable is not crimped or damaged.
- Always make sure you are connecting this product to the proper voltage in accordance with the specifications in this manual or on the product's specification label.
- To eliminate unnecessary wear and improve its lifespan, during periods of non-use completely disconnect the product from power via breaker or by unplugging it.
- Never connect this product to a dimmer pack or rheostat.
- Make sure to replace the fuse with another of the same type and rating.
- Never disconnect this product by pulling or tugging on the power cable.
- If the external flexible cable or cord of this product is damaged, it shall be replaced with a special cable or cord exclusively available from the manufacturer or its service agent.
- The light source contained in this product shall only be replaced by the manufacturer, its service agent, or a similarly qualified person.

Operation

- Do not operate this product if there is damage on the housing, lenses, or cables. Have the damaged parts replaced by an authorized technician at once.
- Do not cover the ventilation slots when operating to avoid internal overheating.
- The maximum ambient temperature is 113 °F (45 °C). Do not operate the product at higher temperatures.
- In the event of a serious operation problem, stop using this product immediately!



If your Chauvet product requires service, contact Chauvet Technical Support.

Expected LED Lifespan

Over time, use and heat will gradually reduce LED brightness. Clustered LEDs produce more heat than single LEDs, contributing to shorter lifespans if always used at full intensity. The average LED lifespan is 40,000 to 50,000 hours. To extend LED lifespan, maintain proper ventilation around the product, and limit the overall intensity.

2. Introduction

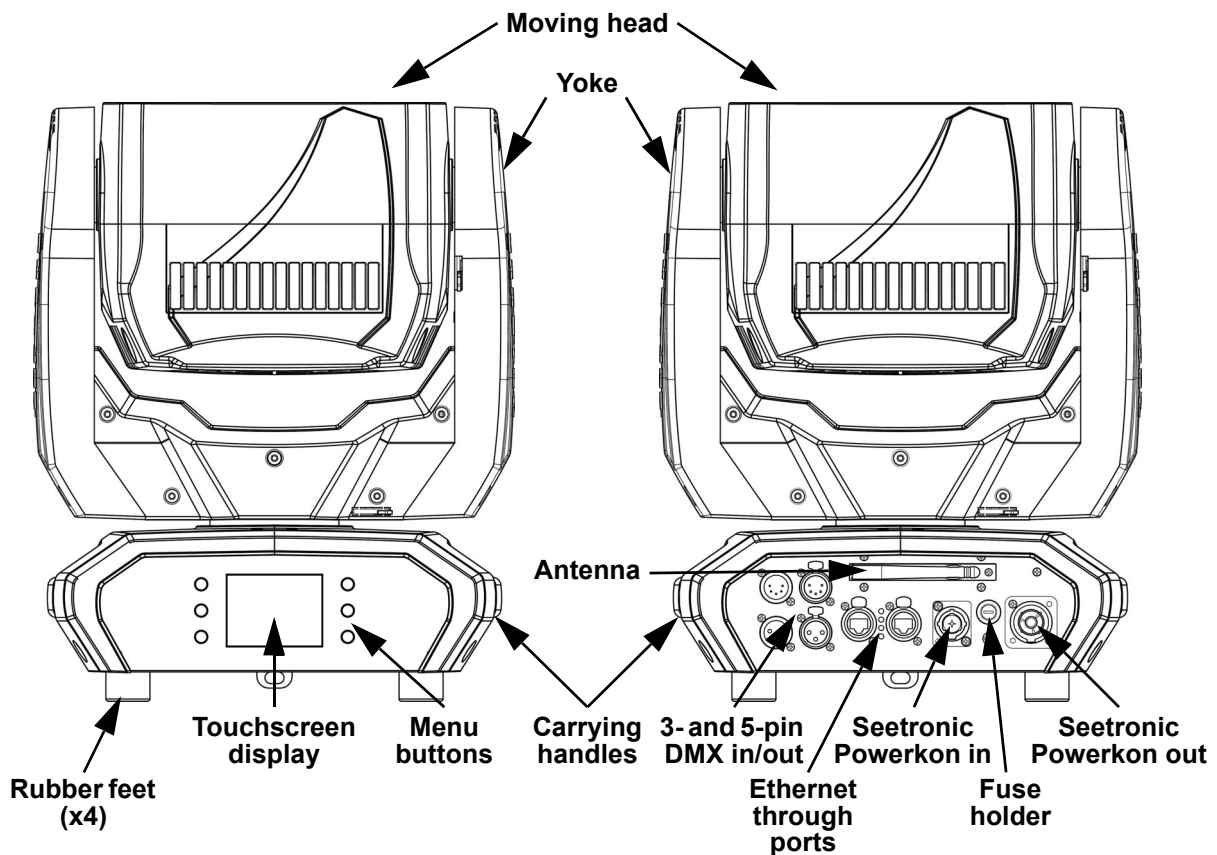
Description

The Maverick MK Pyxis is a fully featured moving-head product equipped with a ring of nine quad-color RGBW 15-watt LEDs and a single 60-watt quad-color RGBW center LED. The Maverick MK Pyxis is a powerful effect and beam product that features smooth pan and tilt operation, and a 4.9° to 58.4° zoom range for variable beam sizes. The Maverick MK Pyxis runs on Art-Net™, sACN, Kling-Net, DMX, and WDMX protocols, and can be controlled with lighting consoles or media servers, providing the ultimate in flexible control integration options.

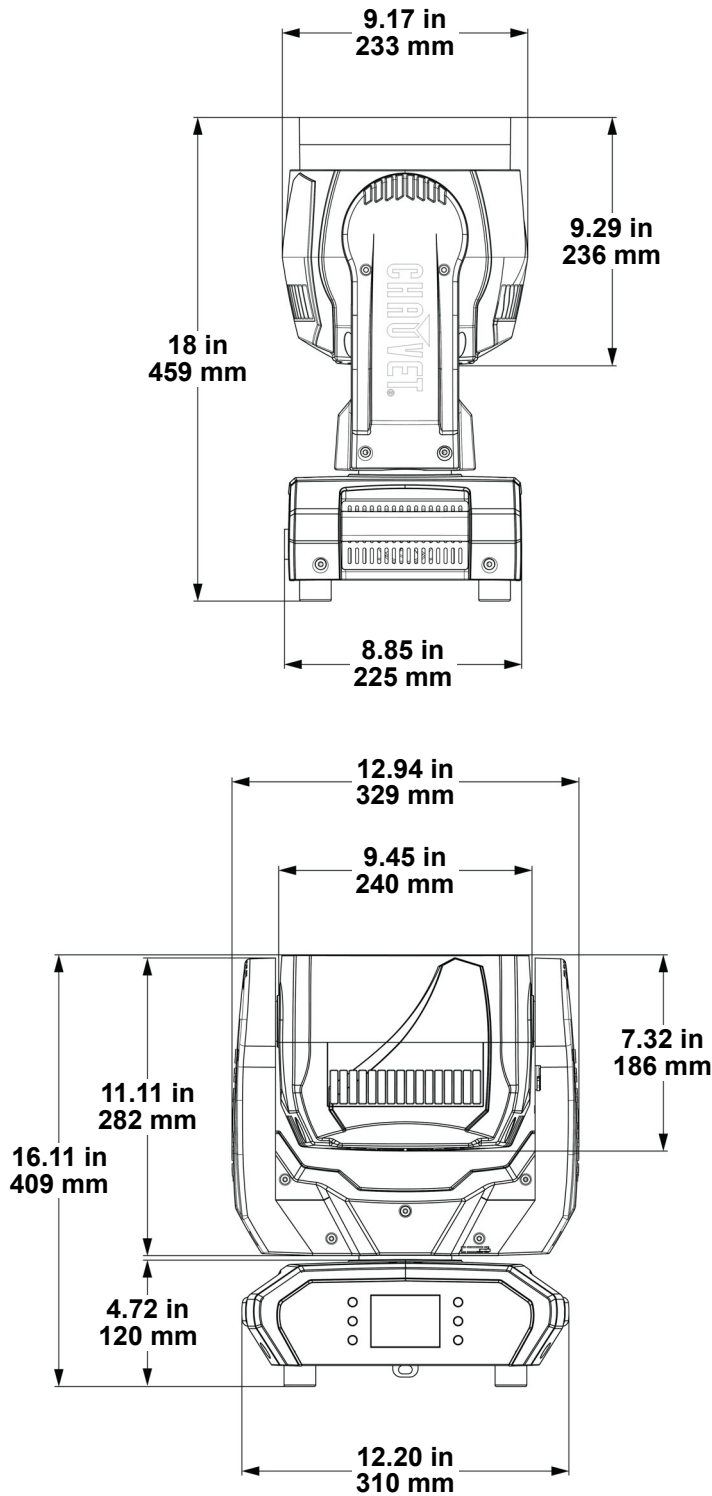
Features

- A full-featured RGBW LED wash and beam fixture with 360° continuous pan and tilt movement
- A (9) 15 W RGBW LED outer ring of LEDs with a 4.9°— 58.4° zoom range and pixel control for wash and narrow effects
- A single 60 W RGBW LED center pixel with a fixed 3° beam angle for dedicated beam color effects
- Virtual color wheel with instantaneous access to 21 colors
- Built-in virtual gobo wheel with background colors for impressive atmospheric effects
- Quiet operation for a wide range of installation situations
- DMX, W-DMX, sACN, Art-Net, and Kling-Net control for full flexibility
- RDM enabled for remote addressing and troubleshooting
- 4.9°–58.4° zoom range for variable beam sizes
- True 1 compatible power input
- Battery backup touchscreen display with auto rotate depending on fixture orientation
- Three setup menu presets and preset sync for cross-loading to multiple like fixtures for easy shop setup

Product Overview



Product Dimensions



3. Setup

AC Power

Each Maverick MK Pyxis has an auto-ranging power supply that works with an input voltage range of 100 to 240 VAC, 50/60 Hz. To determine the power requirements for each Maverick MK Pyxis, refer to the label affixed to the product. You can also refer to the [Technical Specifications](#) chart in this manual.

The listed current rating indicates the maximum current draw during normal operation. For more information, download Sizing Circuit Breakers from the Chauvet website: www.chauvetprofessional.com.



- **Always connect the product to a protected circuit (e.g., circuit breaker or fuse). Make sure the product has an appropriate electrical ground to avoid the risk of electrocution or fire.**
- **To eliminate unnecessary wear and improve its lifespan, completely disconnect the product from power via breaker or by unplugging it during periods of non-use.**



Never connect the product to a rheostat (variable resistor) or dimmer circuit, even if the rheostat or dimmer channel serves only as a 0 to 100% switch.

AC Plug

The Maverick MK Pyxis comes with a power input cable terminated with a Seetronic® Powerkon A connector on one end and an Edison plug on the other end (U.S. market). If the power input cable that came with your product has no plug, or if you need to change the plug, use the table below to wire the new plug.

Connection	Wire (U.S.)	Wire (Europe)	Screw Color
AC live	Black	Brown	Yellow/brass
AC neutral	White	Blue	Silver
AC ground	Green/yellow	Green/yellow	Green

Power Linking

The product supports power linking. It is possible to power link up to 3 Maverick MK Pyxis products at 100 V, 4 products at 120 V, 7 products at 208 V, or up to 8 products at 230 V or 240 V. Never exceed this number.

This product comes with a power input cable. Power-linking cables are available from Chauvet for purchase.

Fuse Replacement

1. Disconnect this product from the power outlet.
2. Using a flat-head screwdriver, unscrew the fuse holder cap from the housing.
3. Remove the blown fuse and replace with another fuse of the same type and rating (F 20 A, 250 V).
4. Screw the fuse holder cap back in place and reconnect power.

Remote Device Management (RDM)

Remote Device Management, or RDM, is a standard for allowing DMX-enabled devices to communicate bi-directionally along existing DMX cabling. Check the DMX controller's User Manual or with the manufacturer, as not all DMX controllers have this capability. The Maverick MK Pyxis supports RDM protocol that allows feedback to make changes to menu map options.

Setup

Mounting

Before mounting the product, read and follow the safety recommendations indicated in the [Safety Notes](#). For our CHAUVET Professional line of mounting clamps, go to <http://trusst.com/products/>.

Orientation

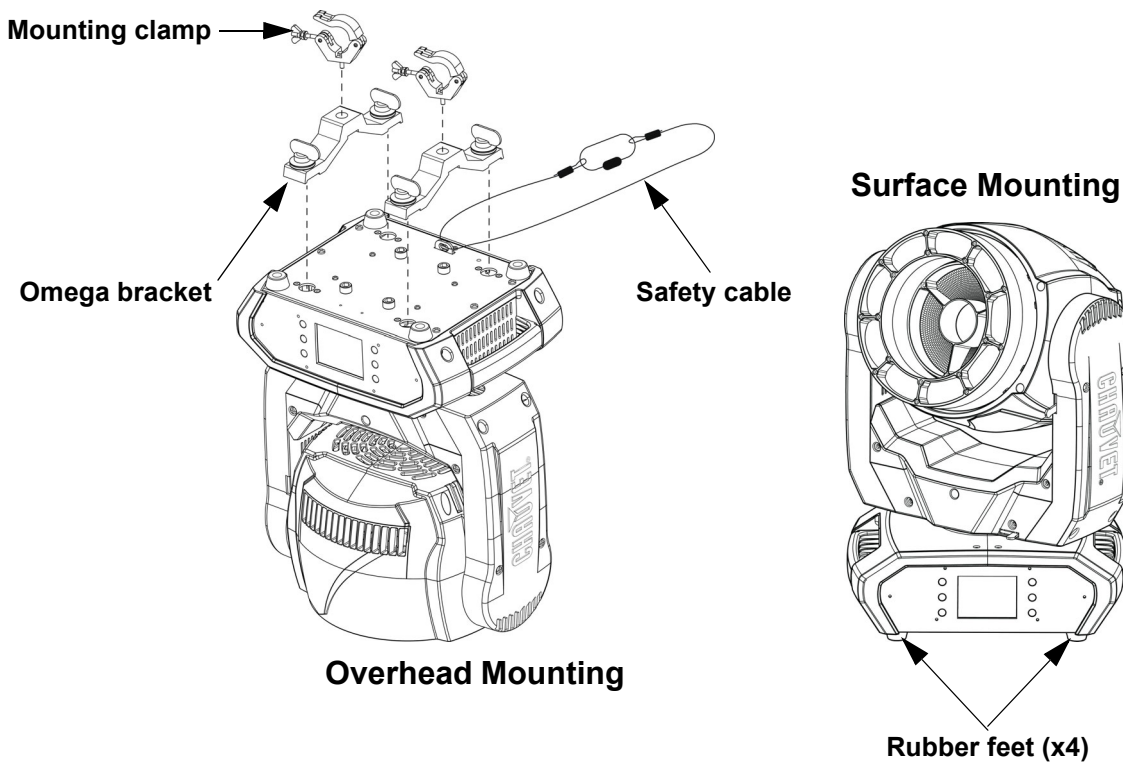
Always mount this product in a safe position and make sure there is adequate room for ventilation, configuration, and maintenance. The Maverick MK Pyxis can be suspended upright or upside down using the 2 Omega brackets included, or it can be placed on its rubber feet on a flat level surface.

Rigging

Chauvet recommends using the following general guidelines when mounting this product.

- When selecting an installation location, consider easy access to this product for operation, programming adjustments, and routine maintenance.
- The product is not intended for permanent installation.
- Make sure to mount this product away from any flammable material.
- Never mount in places where rain, high humidity, extreme temperature changes, or restricted ventilation may affect the product.
- If hanging this product, make sure that the mounting location can support the product's weight. See the [Technical Specifications](#) for the weight-bearing requirements of this product.
- When hanging this product, always secure to a fastening device using a safety cable. For our CHAUVET Professional line of safety cables, go to <http://trusst.com/products/>.
- When mounting the product on the floor, make sure that the product and cables are away from people and vehicles.
- Place the Maverick MK Pyxis so that it can move freely without hitting anything or anybody.
- Leave enough slack on the cables to prevent tension and pull on the plugs.

Mounting Diagram



Signal Connections

The Maverick MK Pyxis can receive DMX, Art-Net™, sACN, or Kling-Net signal. The Maverick MK Pyxis has 2 Amphenol XLRnet through ports, and 3- and 5-pin DMX in and out ports. For more information about DMX, read the DMX primer at: https://www.chauvetprofessional.com/wp-content/uploads/2016/06/DMX_Primer.pdf.

Art-Net™ Connection

Art-Net™ is an Ethernet protocol that uses TCP/IP that transfers a large amount of DMX512 data using an Amphenol XLRnet RJ45 connection over a large network. An Art-Net™ protocol document is available from www.chauvetprofessional.com.

Art-Net™ designed by and copyright Artistic Licence Holdings Ltd.

sACN Connection

Also known as ANSI E1.31, streaming ACN is an Ethernet protocol that uses the layering and formatting of ACN to transport DMX512 data over IP or any other ACN-compatible network. ACN is maintained by the Professional Lighting and Sound Association (PLASA).

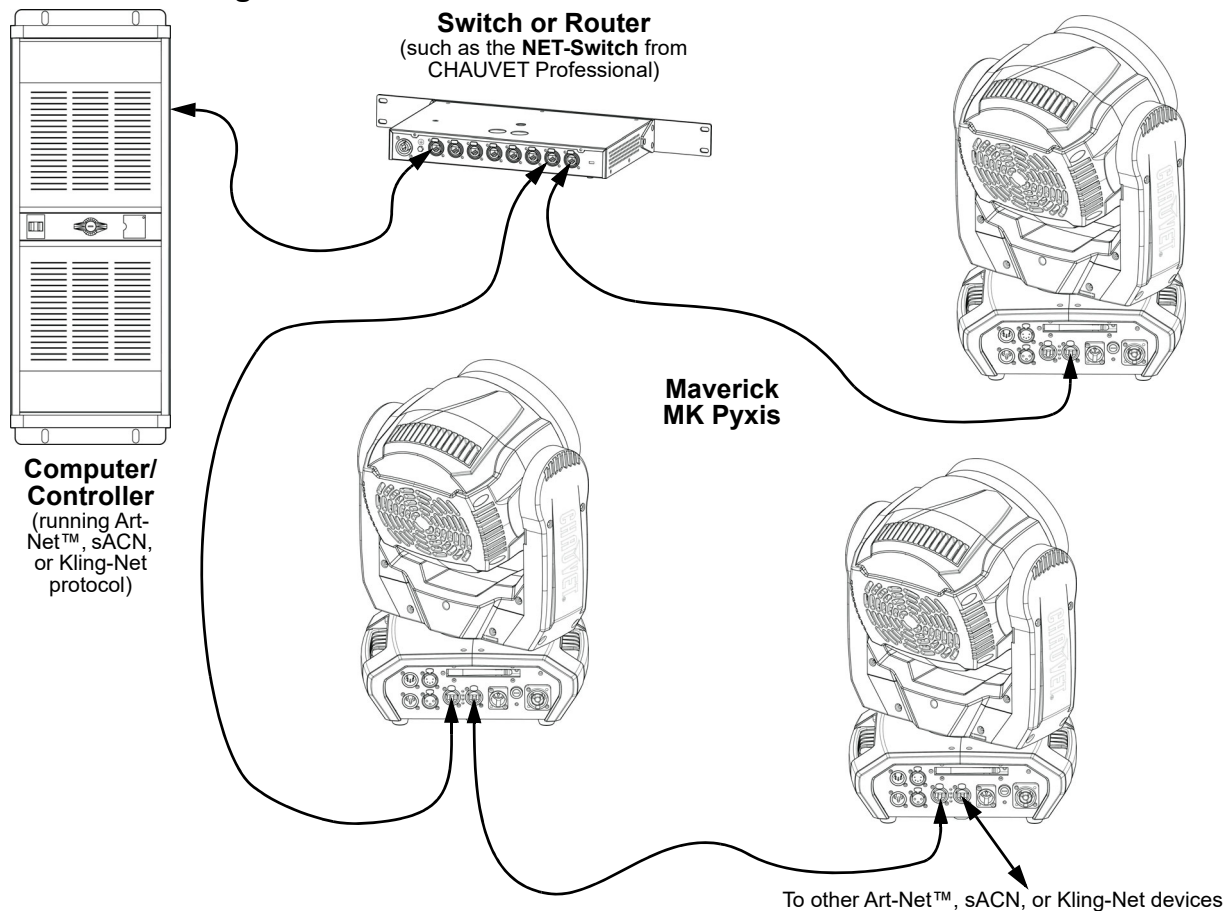
Kling-Net Connection

Kling-Net is a network protocol that allows autoconfiguration of display devices using an Amphenol XLRnet RJ45 Ethernet connection. Refer to the ArKaos software manual for detailed instructions on programming this product.



ArKaos Kling-Net does not support the pan and tilt functions, and must be paired with another protocol for full functionality with the Maverick MK Pyxis.

Connection Diagram



The three LED indicators in between the Ethernet through ports indicate a connection to a network and activity on that network. They do not indicate whether or not the Maverick MK Pyxis is receiving a signal from a controller.

4. Operation

Touchscreen Control Panel

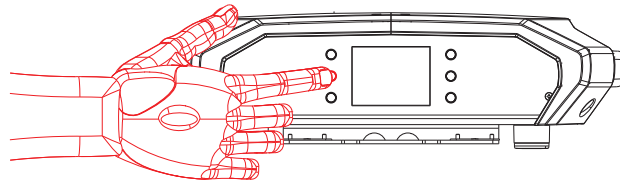
The Maverick MK Pyxis has a touchscreen display and six control buttons. Navigate the menu structure by pressing the buttons, touching the images of the buttons on the sides of the display, or touching the desired menu option on the display directly. The touchscreen can be locked and calibrated using the Setup options in the menu. (See [Touchscreen Calibration](#) and [Touchscreen Lock](#).)

Control Panel Description

Button	Function
	Navigates upwards through the menu list or increases the numeric value when in a function
	Exits from the current menu or function
	Navigates downwards through the menu list or decreases the numeric value when in a function
	Navigates leftwards through the menu list
	Enables the currently displayed menu or sets the currently selected value into the selected function
	Navigates rightwards through the menu list

Battery Powered Display

Press and hold until menu screen appears (approx 15 sec.).



Menu Map

Programming Levels				Description	
Control Settings				Control Settings Main Level	
Control Settings	Single Control	DMX	Personality	Basic	Sets the DMX personality (see Control Personalities)
				Standard	
				Advanced	
				Tour	
		Start Address	1–512	Sets the DMX starting address	
		ArtNet	Personality	Basic	Sets the Art-Net™ personality (see Control Personalities)
				Standard	
				Advanced	
	Tour				
	Start Address	1–512	Sets the Art-Net™ starting address		
	Universe	0–255	Sets the Art-Net™ universe		
	sACN	Personality	Basic	Sets the sACN personality (see Control Personalities)	
			Standard		
			Advanced		
			Tour		
	Start Address	1–512	Sets the sACN starting address		
	Universe	0–255	Sets the sACN universe		
	WDMX	Personality	Basic	Sets the WDMX personality (see Control Personalities)	
			Standard		
			Advanced		
Tour					
Start Address	1–512	Sets the WDMX starting address			

Programming Levels					Description			
Control Settings (cont.)					Main Level (cont.)			
Control Settings	Dual Control	Movement	DMX	Personality	Basic	Sets the DMX personality (see Control Personalities)		
					Standard			
					Advanced			
			Start Address	1-512	Sets the DMX starting address			
				ArtNet		Personality	Basic	Sets the Art-Net™ personality (see Control Personalities)
							Standard	
		Advanced						
		Start Address	1-512	Sets the Art-Net™ starting address				
			Universe		0-255	Sets the Art-Net™ universe		
							sACN	Personality
		Standard						
		Advanced						
	Start Address	1-512	Sets the sACN starting address					
		Universe		0-255	Sets the sACN universe			
						DMX	Personality	Basic
	Standard							
	Advanced							
	Start Address	1-512	Sets the DMX starting address					
		ArtNet		Personality	Basic	Sets the Art-Net™ personality (see Control Personalities)		
					Standard			
	Advanced							
	Start Address	1-512	Sets the Art-Net™ starting address					
		Universe		0-255	Sets the Art-Net™ universe			
						sACN	Personality	Basic
Standard								
Advanced								
Start Address	1-512	Sets the sACN starting address						
	Universe		0-255	Sets the sACN universe				
					KlingNet	Personality	Basic	Sets the Kling-Net personality (see Control Personalities)
Standard								



In Dual Control mode, the Movement Protocol and the Pixels Protocol cannot be the same.

Programming Levels			Description	
Test Mode			Test Mode Main Level	
Test Mode	Auto Test		Auto test all functions	
	Manual Test	Pan	000–255	Manually control and test all settings through the control panel
		Tilt		
		P/T Speed		
		Red		
		Green		
		Blue		
		White		
		CTC		
		Color		
		Pattern		
		LED Macro		
		LED Ma. Speed		
		LED Ma. Fade		
		Background		
		Background Dim.		
Dimmer				
Shutter				
Function				
Zoom				
Setup			Setup Main Level	
Network Settings	IP Mode	Manual	Manually set IP address	
		DHCP	Network sets IP address	
		Static	Product sets IP address	
	IP	---'----'----'-	Sets IP address in Manual mode	
	SubMask	---'----'----'-	Sets Subnet Mask in Manual mode	
Setup	Pan Reverse	NO	Normal pan	
		YES	Reversed pan	
	Tilt Reverse	NO	Normal tilt	
		YES	Reversed tilt	
	Zoom Reverse	NO	Normal Zoom	
		YES	Reversed Zoom	
	Screen Reverse	NO	Normal display	
		YES	Inverted display	
		AUTO	Automatic display orientation	
	Pan Angle	540	540° pan range	
		360	360° pan range	
		180	180° pan range	
	Tilt Angle	270	270° tilt range	
		180	180° tilt range	
		90	90° tilt range	
	BL. O. P/T Move	NO	Do not black out while pan/tilt	
		YES	Blackout while pan/tilt	
	Calibration	NO	Keep current settings	
		YES	Calibrate touchscreen	
	Touchscreen Lock	NO	Display responds to touch	
YES		Display does not respond to touch		
Lock Screen	NO	Lock the buttons and touch screen		
	YES	Passcode: 0920		

Programming Levels		Description	
Setup (cont.)		Setup Main Level (cont.)	
Swap XY	NO	Do not swap pan and tilt	
	YES	Pan controls tilt, tilt controls pan	
WDMX Reset	NO	Do not reset WDMX	
	YES	Reset WDMX	
Backlight Timer	30S	Display turns off after 30 seconds	
	1M	Display turns off after 1 minute	
	5M	Display turns off after 5 minutes	
	ON	Display stays on	
Loss of Data	Hold	Holds last signal received	
	Close	Blacks out fixture	
Fans	Auto	Fan speed according to product temperature	
	Full	Fan speed set on high	
	ECO	Quiet mode	
C Mixing Mode	RGBW	RGBW mode	
	CMY	CMY mode (R=C, G=M, B=Y)	
Dimmer Curve	Linear	Set the dimmer curve	
	Square		
	I Squa		
	SCurve		
Dimmer Speed	Smooth	Set the dimmer speed	
	Fast		
PWM Option	600Hz	Sets the Pulse Width Modulation frequency	
	1200Hz		
	2000Hz		
	4000Hz		
	6000Hz		
Color Balance	Red	000–255	
	Green		
	Blue		
	White		
Preset Select	PRESET A	Recorded preset menu options	
	PRESET B		
	PRESET C		
Preset sync	NO	Allows recorded preset menu options to be transferred to other Maverick MK Pyxis products in the DMX daisy chain	
	YES		
Reset Function	Pan/Tilt	NO	Reset individual functions or all functions from start-up
		YES	
	Zoom	NO	
		YES	
All	NO		
	YES		
Factory Settings	NO	Reset to factory default settings	
	YES		

Programming Levels		Description		
Sys Info		Sys Info Main Level		
Fixture Information	Ver	V_		
	Running Mode	---		
	Address	---		
	Temperature	---		
	Fixture Hours	-----		
	Ip	-----		
	SubMask	-----		
	MAC	-----		
Fan Information	Head Fan1 Speed	---		
	Head Fan2 Speed	---		
Error Information	No Error!*	Shows any errors, or No Error!		
Sys Info	Channel Information	Frequency	---	Shows all current values from input signals, 000–255
		Pan		
		Pan Fine		
		Tilt		
		Tilt Fine		
		Pan Rotation		
		Tilt Rotation		
		P/T Speed		
		CTC		
		Color (1–2)		
		Pattern		
		LED Macro		
		LED Ma. Speed		
		LED Ma. Fine		
		Background		
		Background Dim.		
		Bg. Dim. Fine		
		Dimmer (A–B)		
		Dimmer Fine (A–B)		
		Shutter (1–2)		
		Zoom		
		Function		
		Red (all, 1–10)		
		Red Fine (all, 1–10)		
		Green (all, 1–10)		
		Green fine (all, 1–10)		
		Blue (all, 1–10)		
		Blue Fine (all, 1–10)		
		White (all, 1–10)		
		White Fine (all, 1–10)		
		Dimmer (1–10)		
		Dimmer Fine (1–10)		

Protocol Configuration

The Maverick MK Pyxis can be set to respond to DMX, WDMX, Art-Net™, sACN, Kling-Net, or a combination of those protocols. The protocol configuration must be set for the product to respond correctly to the controller(s).

Control Personalities

The following control personalities are available on the Maverick MK Pyxis:

Single Control	Dual Control Movement	Dual Control Pixels
Basic (26-channel)	Basic (13-channel)	Basic (30-channel)
Standard (66-channel)	Standard (30-channel)	Standard (40-channel)
Advanced (113-channel)	Advanced (41-channel)	Advanced (80-channel)
Tour (131-channel)		
Uses DMX, Art-Net™, sACN, or WDMX	Uses DMX, Art-Net™, or sACN	Uses DMX, Art-Net™, sACN, or Kling-Net

Single Control

In Single Control mode, the Maverick MK Pyxis is controlled by a single protocol input. Choose from DMX, Art-Net™, sACN, or WDMX. In this mode, the four personalities available are **Basic** (26 channels), **Standard** (66 channels), **Advanced** (113 channels), and **Tour** (131 channels).

Single Control Protocol

To select the Single Control protocol, follow the instructions below:

1. Press **<MENU>** repeatedly until the [Home Screen](#) shows on the display. Press **<ENTER>**.
2. Use **<UP>**, **<DOWN>**, **<LEFT>**, or **<RIGHT>** to select **Control Settings**, or touch the display where it says **Control Settings**.
3. If using the buttons instead of the touchscreen, press **<ENTER>**.
4. Use **<UP>** or **<DOWN>** to select **Single Control**, or touch the display where it says **Single Control**.
5. If using the buttons instead of the touchscreen, press **<ENTER>**.
6. Use **<UP>** or **<DOWN>** to select from **DMX**, **ArtNet**, **sACN**, or **WDMX**, or touch the display where it says the desired protocol option.
7. If using the buttons instead of the touchscreen, press **<ENTER>**.

Single Control Personality

To select the Single Control personality, set the [Protocol](#), then do the following:

1. Use **<UP>** or **<DOWN>** to select **Personality**, or touch the display where it says **Personality**.
2. If using the buttons instead of the touchscreen, press **<ENTER>**.
3. Use **<UP>**, **<DOWN>**, **<LEFT>**, or **<RIGHT>** to select from **Basic** (26-channel), **Standard** (66-channel), **Advanced** (113-channel), or **Tour** (131-channel), or touch the display where it says the desired personality.
4. If using the buttons instead of the touchscreen, press **<ENTER>**.



For WDMX control, ensure the antenna is raised, and there are no obstructions between the controller and the product. See [WDMX Reset](#) for troubleshooting information.

Single Control Start Address

To set the starting address of the Single Control mode, set the [Protocol](#), then follow the instructions below:

1. Use **<UP>** or **<DOWN>** to select **Start Address**, or touch the display where it says **Start Address**.
2. If using the buttons instead of the touchscreen, press **<ENTER>**.
3. Enter the starting address (**1–512**) with one of the following methods:
 - Type the address number using the number pad that shows on the touchscreen display.
 - or
 - Using the buttons (or the button icons on the sides of the display),
 - a. Use **<LEFT>** or **<RIGHT>** to select the digit to be altered.
 - b. Use **<UP>** or **<DOWN>** to increase or decrease the number value of that digit.
 - c. Repeat until the address is set as desired.
4. Press **<ENTER>**.

Operation

Single Control Universe

To set the Universe address of the Single Control mode when using Art-Net™ or sACN, set the [Protocol](#) to **ArtNet** or **sACN**, then do the following:

1. Use **<UP>** or **<DOWN>** to select **Universe**, or touch the display where it says **Universe**.
2. If using the buttons instead of the touchscreen, press **<ENTER>**.
3. Enter the universe address (**0–255**) with one of the following methods:
 - Type the address number using the number pad that shows on the touchscreen display.
or
 - Using the buttons (or the button icons on the sides of the display),
 - a. Use **<LEFT>** or **<RIGHT>** to select the digit to be altered.
 - b. Use **<UP>** or **<DOWN>** to increase or decrease the number value of that digit.
 - c. Repeat until the address is set as desired.
4. Press **<ENTER>**.

Dual Control

In Dual Control mode, the Maverick MK Pyxis is controlled by two protocol inputs. One controls the movement of the yoke and zoom, and the dimmers and shutter, whereas the other controls the individual LED output.

Dual Control Movement

The Movement protocol controls the movement of the yoke and zoom, and the dimmers and shutter. Choose from DMX, Art-Net™, or sACN. In this mode, the three personalities available are **Basic** (13 channels), **Standard** (30 channels), and **Advanced** (41 channels).

Dual Control Movement Protocol

To select the Dual Control Movement protocol, follow the instructions below:

1. Press **<MENU>** repeatedly until the [Home Screen](#) shows on the display. Press **<ENTER>**.
2. Use **<UP>**, **<DOWN>**, **<LEFT>**, or **<RIGHT>** to select **Control Settings**, or touch the display where it says **Control Settings**.
3. If using the buttons instead of the touchscreen, press **<ENTER>**.
4. Use **<UP>** or **<DOWN>** to select **Dual Control**, or touch the display where it says **Dual Control**.
5. If using the buttons instead of the touchscreen, press **<ENTER>**.
6. Use **<UP>** or **<DOWN>** to select **Movement**, or touch the display where it says **Movement**.
7. If using the buttons instead of the touchscreen, press **<ENTER>**.
8. Use **<UP>**, **<DOWN>**, **<LEFT>**, or **<RIGHT>** to select from **DMX**, **ArtNet**, or **sACN**, or touch the display where it says the desired protocol option.
9. If using the buttons instead of the touchscreen, press **<ENTER>**.

Dual Control Movement Personality

To select the Dual Control Movement personality, set the [Protocol](#), then do the following:

1. Use **<UP>** or **<DOWN>** to select **Personality**, or touch the display where it says **Personality**.
2. If using the buttons instead of the touchscreen, press **<ENTER>**.
3. Use **<UP>**, **<DOWN>**, **<LEFT>**, or **<RIGHT>** to select from **Basic** (13-channel), **Standard** (30-channel), or **Advanced** (41-channel), or touch the display where it says the desired personality.
4. If using the buttons instead of the touchscreen, press **<ENTER>**.

Dual Control Movement Start Address

To set the starting address of the Dual Control Movement mode, set the [Protocol](#), then follow the instructions below:

1. Use **<UP>** or **<DOWN>** to select **Start Address**, or touch the display where it says **Start Address**.
2. If using the buttons instead of the touchscreen, press **<ENTER>**.
3. Enter the starting address (**1–512**) with one of the following methods:
 - Type the address number using the number pad that shows on the touchscreen display.
or
 - Using the buttons (or the button icons on the sides of the display),
 - a. Use **<LEFT>** or **<RIGHT>** to select the digit to be altered.
 - b. Use **<UP>** or **<DOWN>** to increase or decrease the number value of that digit.
 - c. Repeat until the address is set as desired.
4. Press **<ENTER>**.

Dual Control Movement Universe

To set the Universe address of the Dual Control Movement mode when using Art-Net™ or sACN, set the [Protocol](#) to **ArtNet** or **sACN**, then do the following:

1. Use **<UP>** or **<DOWN>** to select **Universe**, or touch the display where it says **Universe**.
2. If using the buttons instead of the touchscreen, press **<ENTER>**.
3. Enter the universe address (**0–255**) with one of the following methods:
 - Type the address number using the number pad that shows on the touchscreen display.
or
 - Using the buttons (or the button icons on the sides of the display),
 - a. Use **<LEFT>** or **<RIGHT>** to select the digit to be altered.
 - b. Use **<UP>** or **<DOWN>** to increase or decrease the number value of that digit.
 - c. Repeat until the address is set as desired.
4. Press **<ENTER>**.

Dual Control Pixels

The Pixels protocol controls the individual output of the LEDs. Choose from DMX, Art-Net™, sACN, or Kling-Net. In this mode, the three personalities available are **Basic** (30 channels), **Standard** (40 channels), and **Advanced** (80 channels).

Dual Control Pixels Protocol

To select the Dual Control Pixels protocol, follow the instructions below:

1. Press **<MENU>** repeatedly until the [Home Screen](#) shows on the display. Press **<ENTER>**.
2. Use **<UP>**, **<DOWN>**, **<LEFT>**, or **<RIGHT>** to select **Control Settings**, or touch the display where it says **Control Settings**.
3. If using the buttons instead of the touchscreen, press **<ENTER>**.
4. Use **<UP>** or **<DOWN>** to select **Dual Control**, or touch the display where it says **Dual Control**.
5. If using the buttons instead of the touchscreen, press **<ENTER>**.
6. Use **<UP>** or **<DOWN>** to select **Pixels**, or touch the display where it says **Pixels**.
7. If using the buttons instead of the touchscreen, press **<ENTER>**.
8. Use **<UP>**, **<DOWN>**, **<LEFT>**, or **<RIGHT>** to select from **DMX**, **ArtNet**, **sACN**, or **KlingNet**, or touch the display where it says the desired protocol option.
9. If using the buttons instead of the touchscreen, press **<ENTER>**.

Dual Control Pixels Personality

To select the Dual Control Pixels personality, set the [Protocol](#), then do the following:

1. Use **<UP>** or **<DOWN>** to select **Personality**, or touch the display where it says **Personality**.
2. If using the buttons instead of the touchscreen, press **<ENTER>**.
3. Use **<UP>**, **<DOWN>**, **<LEFT>**, or **<RIGHT>** to select from **Basic** (30-channel), **Standard** (40-channel), or **Advanced** (80-channel), or touch the display where it says the desired personality.
4. If using the buttons instead of the touchscreen, press **<ENTER>**.



ArKaos Kling-Net can only be assigned the Basic and Standard Pixels personalities.

Dual Control Pixels Start Address

To set the starting address of the Dual Control Pixels mode, set the [Protocol](#), then follow the instructions below:

1. Use **<UP>** or **<DOWN>** to select **Start Address**, or touch the display where it says **Start Address**.
2. If using the buttons instead of the touchscreen, press **<ENTER>**.
3. Enter the starting address (**1–512**) with one of the following methods:
 - Type the address number using the number pad that shows on the touchscreen display.
or
 - Using the buttons (or the button icons on the sides of the display),
 - a. Use **<LEFT>** or **<RIGHT>** to select the digit to be altered.
 - b. Use **<UP>** or **<DOWN>** to increase or decrease the number value of that digit.
 - c. Repeat until the address is set as desired.
4. Press **<ENTER>**.

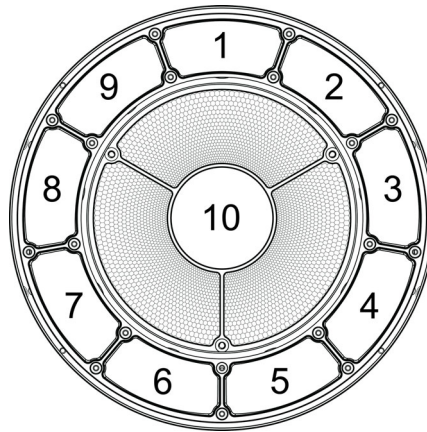
Operation

Dual Control Pixels Universe

To set the Universe address of the Dual Control Pixels mode when using Art-Net™ or sACN, set the [Protocol](#) to **ArtNet** or **sACN**, then do the following:

1. Use **<UP>** or **<DOWN>** to select **Universe**, or touch the display where it says **Universe**.
2. If using the buttons instead of the touchscreen, press **<ENTER>**.
3. Enter the universe address (**0–255**) with one of the following methods:
 - Type the address number using the number pad that shows on the touchscreen display. or
 - Using the buttons (or the button icons on the sides of the display),
 - a. Use **<LEFT>** or **<RIGHT>** to select the digit to be altered.
 - b. Use **<UP>** or **<DOWN>** to increase or decrease the number value of that digit.
 - c. Repeat until the address is set as desired.
4. Press **<ENTER>**.

Zones for Pixel Control



Single Control Values

Single Control: Tour Mode (131-channel)

Channel	Function	Value	Percent/Setting
1	Pan	000 ⇔ 255	0–100%
2	Pan Fine	000 ⇔ 255	0–100%
3	Tilt	000 ⇔ 255	0–100%
4	Tilt Fine	000 ⇔ 255	0–100%
5	Continuous Pan	000	No function
		001 ⇔ 127	Continuous pan, fast to slow
		128	No function
129 ⇔ 255	Reverse continuous pan, slow to fast		
6	Continuous Tilt	000	No function
		001 ⇔ 127	Continuous tilt, fast to slow
		128	No function
129 ⇔ 255	Reverse continuous tilt, slow to fast		
7	Pan/Tilt Speed	000 ⇔ 255	Fast to slow
8	CTC	000	No function
		001 ⇔ 255	Color temperature, 2800–10000 K

Channel	Function	Value	Percent/Setting				
9	Ring Color	000	No function				
		001 ⇔ 002	2700K	R = 156	G = 118	B = 0	W = 63
		003 ⇔ 004	3200K	R = 156	G = 141	B = 5	W = 89
		005 ⇔ 006	4200K	R = 156	G = 141	B = 14	W = 255
		007 ⇔ 008	5600K	R = 156	G = 207	B = 54	W = 255
		009 ⇔ 010	8000K	R = 130	G = 255	B = 96	W = 255
		011	Blue	R = 0	G = 0	B = 255	W = 0
		012 ⇔ 048	+ Green	R = 0	G = 0–255	B = 255	W = 0
		049	Cyan	R = 0	G = 255	B = 255	W = 0
		050 ⇔ 086	- Blue	R = 0	G = 255	B = 255–0	W = 0
		087	Green	R = 0	G = 255	B = 0	W = 0
		088 ⇔ 124	+ Red	R = 0–255	G = 255	B = 0	W = 0
		125	Yellow	R = 255	G = 255	B = 0	W = 0
		126 ⇔ 162	- Green	R = 255	G = 255–0	B = 0	W = 0
		163	Red	R = 255	G = 0	B = 0	W = 0
		164 ⇔ 200	+ Blue	R = 255	G = 0	B = 0–255	W = 0
		201	Magenta	R = 255	G = 0	B = 255	W = 0
		202 ⇔ 238	- Red	R = 255–0	G = 0	B = 255	W = 0
		239	Blue	R = 0	G = 0	B = 255	W = 0
		240 ⇔ 247	Color fade, fast to slow				
248 ⇔ 255	Color snap, fast to slow						
10	Beam Color	000	No function				
		001 ⇔ 002	2700K	R = 156	G = 118	B = 0	W = 63
		003 ⇔ 004	3200K	R = 156	G = 141	B = 5	W = 89
		005 ⇔ 006	4200K	R = 156	G = 141	B = 14	W = 255
		007 ⇔ 008	5600K	R = 156	G = 207	B = 54	W = 255
		009 ⇔ 010	8000K	R = 130	G = 255	B = 96	W = 255
		011	Blue	R = 0	G = 0	B = 255	W = 0
		012 ⇔ 048	+ Green	R = 0	G = 0–255	B = 255	W = 0
		049	Cyan	R = 0	G = 255	B = 255	W = 0
		050 ⇔ 086	- Blue	R = 0	G = 255	B = 255–0	W = 0
		087	Green	R = 0	G = 255	B = 0	W = 0
		088 ⇔ 124	+ Red	R = 0–255	G = 255	B = 0	W = 0
		125	Yellow	R = 255	G = 255	B = 0	W = 0
		126 ⇔ 162	- Green	R = 255	G = 255–0	B = 0	W = 0
		163	Red	R = 255	G = 0	B = 0	W = 0
		164 ⇔ 200	+ Blue	R = 255	G = 0	B = 0–255	W = 0
		201	Magenta	R = 255	G = 0	B = 255	W = 0
		202 ⇔ 238	- Red	R = 255–0	G = 0	B = 255	W = 0
		239	Blue	R = 0	G = 0	B = 255	W = 0
		240 ⇔ 247	Color fade, fast to slow				
248 ⇔ 255	Color snap, fast to slow						
11	Gobo	000	No function				
		001 ⇔ 250	Gobos (indexed)				
12	LED Macro / Auto Program	000 ⇔ 015	No function				
		016 ⇔ 135	LED macros				
		136 ⇔ 255	Auto programs				
13	LED Macro / Auto Program Speed	000 ⇔ 127	Auto speed, fast to slow clockwise				
		128	Hold				
		129 ⇔ 255	Auto speed, slow to fast, counterclockwise				
14	LED Built-in Delay	000 ⇔ 255	Fast to slow				

Channel	Function	Value	Percent/Setting
15	Background Color	000	No function
		001 ⇔ 002	2700K R=156 G=118 B=0 W=63
		003 ⇔ 004	3200K R=156 G=141 B=5 W=89
		005 ⇔ 006	4200K R=156 G=141 B=14 W=255
		007 ⇔ 008	5600K R=156 G=207 B=54 W=255
		009 ⇔ 010	8000K R=130 G=255 B=96 W=255
		011	Blue R=0 G=0 B=255 W=0
		012 ⇔ 048	+ Green R=0 G=0-255 B=255 W=0
		049	Cyan R=0 G=255 B=255 W=0
		050 ⇔ 086	- Blue R=0 G=255 B=255-0 W=0
		087	Green R=0 G=255 B=0 W=0
		088 ⇔ 124	+ Red R=0-255 G=255 B=0 W=0
		125	Yellow R=255 G=255 B=0 W=0
		126 ⇔ 162	- Green R=255 G=255-0 B=0 W=0
		163	Red R=255 G=0 B=0 W=0
		164 ⇔ 200	+ Blue R=255 G=0 B=0-255 W=0
		201	Magenta R=255 G=0 B=255 W=0
		202 ⇔ 238	- Red R=255-0 G=0 B=255 W=0
		239	Blue R=0 G=0 B=255 W=0
		240 ⇔ 247	Color fade, fast to slow
248 ⇔ 255	Color snap, fast to slow		
16	Background Dimmer	000 ⇔ 255	0-100%
17	Background Fine Dimmer	000 ⇔ 255	0-100%
18	Main Dimmer	000 ⇔ 255	0-100%
19	Main Fine Dimmer	000 ⇔ 255	0-100%
20	Ring Shutter	000 ⇔ 019	Off
		020 ⇔ 024	On
		025 ⇔ 069	Strobe, fast to slow
		070 ⇔ 089	Strobe 100-0%, fast to slow
		090 ⇔ 109	Strobe 0-100%, fast to slow
		110 ⇔ 129	Random strobe, fast to slow
		130 ⇔ 149	Random strobe 100-0%, fast to slow
		150 ⇔ 169	Random strobe 0-100%, fast to slow
		170 ⇔ 189	Pulse strobe, fast to slow
		190 ⇔ 209	Random pulse strobe, fast to slow
		210 ⇔ 229	Strobe 0-100-0%, fast to slow
		230 ⇔ 244	Random pulse strobe, fast to slow
		245 ⇔ 255	On
21	Beam Shutter	000 ⇔ 019	Off
		020 ⇔ 024	On
		025 ⇔ 069	Strobe, fast to slow
		070 ⇔ 089	Strobe 100-0%, fast to slow
		090 ⇔ 109	Strobe 0-100%, fast to slow
		110 ⇔ 129	Random strobe, fast to slow
		130 ⇔ 149	Random strobe 100-0%, fast to slow
		150 ⇔ 169	Random strobe 0-100%, fast to slow
		170 ⇔ 189	Pulse strobe, fast to slow
		190 ⇔ 209	Random pulse strobe, fast to slow
		210 ⇔ 229	Strobe 0-100-0%, fast to slow
		230 ⇔ 244	Random pulse strobe, fast to slow
		245 ⇔ 255	On

Channel	Function	Value	Percent/Setting
22	Zoom	000 ⇄ 255	Wide to narrow
23	Control	000 ⇄ 009	No function
		010 ⇄ 014	Blackout on Pan/Tilt
		015 ⇄ 019	Reserved for future use
		020 ⇄ 024	RGBW (additive) color-mixing mode
		025 ⇄ 029	CMY (subtractive) color-mixing mode
		030 ⇄ 049	Reserved for future use
		050 ⇄ 054	Pan reset
		055 ⇄ 059	Tilt reset
		060 ⇄ 064	Zoom reset
		065 ⇄ 069	Reserved for future use
		070 ⇄ 074	Reset all
		075 ⇄ 109	Reserved for future use
		110 ⇄ 114	Fast Pan/Tilt speed
		115 ⇄ 119	Slow Pan/tilt speed
		120 ⇄ 124	Slow fan mode
		125 ⇄ 129	Full fan mode
130 ⇄ 134	Auto fan mode		
135 ⇄ 139	Fast dimmer mode		
140 ⇄ 144	Slow dimmer mode		
145 ⇄ 255	Reserved for future use		
24	Main Red	000 ⇄ 255	0–100%
25	Main Fine Red	000 ⇄ 255	0–100%
26	Main Green	000 ⇄ 255	0–100%
27	Main Fine Green	000 ⇄ 255	0–100%
28	Main Blue	000 ⇄ 255	0–100%
29	Main Fine Blue	000 ⇄ 255	0–100%
30	Main White	000 ⇄ 255	0–100%
31	Main Fine White	000 ⇄ 255	0–100%
32	Dimmer 1	000 ⇄ 255	0–100%
33	Fine Dimmer 1	000 ⇄ 255	0–100%
34	Red 1	000 ⇄ 255	0–100%
35	Fine Red 1	000 ⇄ 255	0–100%
36	Green 1	000 ⇄ 255	0–100%
37	Fine Green 1	000 ⇄ 255	0–100%
38	Blue 1	000 ⇄ 255	0–100%
39	Fine Blue 1	000 ⇄ 255	0–100%
40	White 1	000 ⇄ 255	0–100%
41	Fine White 1	000 ⇄ 255	0–100%
42	Dimmer 2	000 ⇄ 255	0–100%
43	Fine Dimmer 2	000 ⇄ 255	0–100%
44	Red 2	000 ⇄ 255	0–100%
45	Fine Red 2	000 ⇄ 255	0–100%
46	Green 2	000 ⇄ 255	0–100%
47	Fine Green 2	000 ⇄ 255	0–100%
48	Blue 2	000 ⇄ 255	0–100%
49	Fine Blue 2	000 ⇄ 255	0–100%
50	White 2	000 ⇄ 255	0–100%
51	Fine White 2	000 ⇄ 255	0–100%
52	Dimmer 3	000 ⇄ 255	0–100%
53	Fine Dimmer 3	000 ⇄ 255	0–100%

Operation

Channel	Function	Value	Percent/Setting
54	Red 3	000 ⇄ 255	0–100%
55	Fine Red 3	000 ⇄ 255	0–100%
56	Green 3	000 ⇄ 255	0–100%
57	Fine Green 3	000 ⇄ 255	0–100%
58	Blue 3	000 ⇄ 255	0–100%
59	Fine Blue 3	000 ⇄ 255	0–100%
60	White 3	000 ⇄ 255	0–100%
61	Fine White 3	000 ⇄ 255	0–100%
62	Dimmer 4	000 ⇄ 255	0–100%
63	Fine Dimmer 4	000 ⇄ 255	0–100%
64	Red 4	000 ⇄ 255	0–100%
65	Fine Red 4	000 ⇄ 255	0–100%
66	Green 4	000 ⇄ 255	0–100%
67	Fine Green 4	000 ⇄ 255	0–100%
68	Blue 4	000 ⇄ 255	0–100%
69	Fine Blue 4	000 ⇄ 255	0–100%
70	White 4	000 ⇄ 255	0–100%
71	Fine White 4	000 ⇄ 255	0–100%
72	Dimmer 5	000 ⇄ 255	0–100%
73	Fine Dimmer 5	000 ⇄ 255	0–100%
74	Red 5	000 ⇄ 255	0–100%
75	Fine Red 5	000 ⇄ 255	0–100%
76	Green 5	000 ⇄ 255	0–100%
77	Fine Green 5	000 ⇄ 255	0–100%
78	Blue 5	000 ⇄ 255	0–100%
79	Fine Blue 5	000 ⇄ 255	0–100%
80	White 5	000 ⇄ 255	0–100%
81	Fine White 5	000 ⇄ 255	0–100%
82	Dimmer 6	000 ⇄ 255	0–100%
83	Fine Dimmer 6	000 ⇄ 255	0–100%
84	Red 6	000 ⇄ 255	0–100%
85	Fine Red 6	000 ⇄ 255	0–100%
86	Green 6	000 ⇄ 255	0–100%
87	Fine Green 6	000 ⇄ 255	0–100%
88	Blue 6	000 ⇄ 255	0–100%
89	Fine Blue 6	000 ⇄ 255	0–100%
90	White 6	000 ⇄ 255	0–100%
91	Fine White 6	000 ⇄ 255	0–100%
92	Dimmer 7	000 ⇄ 255	0–100%
93	Fine Dimmer 7	000 ⇄ 255	0–100%
94	Red 7	000 ⇄ 255	0–100%
95	Fine Red 7	000 ⇄ 255	0–100%
96	Green 7	000 ⇄ 255	0–100%
97	Fine Green 7	000 ⇄ 255	0–100%
98	Blue 7	000 ⇄ 255	0–100%
99	Fine Blue 7	000 ⇄ 255	0–100%
100	White 7	000 ⇄ 255	0–100%
101	Fine White 7	000 ⇄ 255	0–100%
102	Dimmer 8	000 ⇄ 255	0–100%
103	Fine Dimmer 8	000 ⇄ 255	0–100%
104	Red 8	000 ⇄ 255	0–100%

Channel	Function	Value	Percent/Setting
105	Fine Red 8	000 ⇄ 255	0–100%
106	Green 8	000 ⇄ 255	0–100%
107	Fine Green 8	000 ⇄ 255	0–100%
108	Blue 8	000 ⇄ 255	0–100%
109	Fine Blue 8	000 ⇄ 255	0–100%
110	White 8	000 ⇄ 255	0–100%
111	Fine White 8	000 ⇄ 255	0–100%
112	Dimmer 9	000 ⇄ 255	0–100%
113	Fine Dimmer 9	000 ⇄ 255	0–100%
114	Red 9	000 ⇄ 255	0–100%
115	Fine Red 9	000 ⇄ 255	0–100%
116	Green 9	000 ⇄ 255	0–100%
117	Fine Green 9	000 ⇄ 255	0–100%
118	Blue 9	000 ⇄ 255	0–100%
119	Fine Blue 9	000 ⇄ 255	0–100%
120	White 9	000 ⇄ 255	0–100%
121	Fine White 9	000 ⇄ 255	0–100%
122	Dimmer 10	000 ⇄ 255	0–100%
123	Fine Dimmer 10	000 ⇄ 255	0–100%
124	Red 10	000 ⇄ 255	0–100%
125	Fine Red 10	000 ⇄ 255	0–100%
126	Green 10	000 ⇄ 255	0–100%
127	Fine Green 10	000 ⇄ 255	0–100%
128	Blue 10	000 ⇄ 255	0–100%
129	Fine Blue 10	000 ⇄ 255	0–100%
130	White 10	000 ⇄ 255	0–100%
131	Fine White 10	000 ⇄ 255	0–100%

Single Control: Advanced Mode (113-channel)

Channel	Function	Value	Percent/Setting
1	Pan	000 ⇄ 255	0–100%
2	Pan Fine	000 ⇄ 255	0–100%
3	Tilt	000 ⇄ 255	0–100%
4	Tilt Fine	000 ⇄ 255	0–100%
5	Continuous Pan	000	No function
		001 ⇄ 127	Continuous pan, fast to slow
		128	No function
		129 ⇄ 255	Reverse continuous pan, slow to fast
6	Continuous Tilt	000	No function
		001 ⇄ 127	Continuous tilt, fast to slow
		128	No function
		129 ⇄ 255	Reverse continuous tilt, slow to fast
7	Pan/Tilt Speed	000 ⇄ 255	Fast to slow
8	CTC	000	No function
		001 ⇄ 255	Color temperature, 2800–10000 K

Channel	Function	Value	Percent/Setting
9	Ring Color	000	No function
		001 ⇌ 002	2700K R = 156 G = 118 B = 0 W = 63
		003 ⇌ 004	3200K R = 156 G = 141 B = 5 W = 89
		005 ⇌ 006	4200K R = 156 G = 141 B = 14 W = 255
		007 ⇌ 008	5600K R = 156 G = 207 B = 54 W = 255
		009 ⇌ 010	8000K R = 130 G = 255 B = 96 W = 255
		011	Blue R = 0 G = 0 B = 255 W = 0
		012 ⇌ 048	+ Green R = 0 G = 0-255 B = 255 W = 0
		049	Cyan R = 0 G = 255 B = 255 W = 0
		050 ⇌ 086	- Blue R = 0 G = 255 B = 255-0 W = 0
		087	Green R = 0 G = 255 B = 0 W = 0
		088 ⇌ 124	+ Red R = 0-255 G = 255 B = 0 W = 0
		125	Yellow R = 255 G = 255 B = 0 W = 0
		126 ⇌ 162	- Green R = 255 G = 255-0 B = 0 W = 0
		163	Red R = 255 G = 0 B = 0 W = 0
		164 ⇌ 200	+ Blue R = 255 G = 0 B = 0-255 W = 0
		201	Magenta R = 255 G = 0 B = 255 W = 0
		202 ⇌ 238	- Red R = 255-0 G = 0 B = 255 W = 0
		239	Blue R = 0 G = 0 B = 255 W = 0
		240 ⇌ 247	Color fade, fast to slow
248 ⇌ 255	Color snap, fast to slow		
10	Beam Color	000	No function
		001 ⇌ 002	2700K R = 156 G = 118 B = 0 W = 63
		003 ⇌ 004	3200K R = 156 G = 141 B = 5 W = 89
		005 ⇌ 006	4200K R = 156 G = 141 B = 14 W = 255
		007 ⇌ 008	5600K R = 156 G = 207 B = 54 W = 255
		009 ⇌ 010	8000K R = 130 G = 255 B = 96 W = 255
		011	Blue R = 0 G = 0 B = 255 W = 0
		012 ⇌ 048	+ Green R = 0 G = 0-255 B = 255 W = 0
		049	Cyan R = 0 G = 255 B = 255 W = 0
		050 ⇌ 086	- Blue R = 0 G = 255 B = 255-0 W = 0
		087	Green R = 0 G = 255 B = 0 W = 0
		088 ⇌ 124	+ Red R = 0-255 G = 255 B = 0 W = 0
		125	Yellow R = 255 G = 255 B = 0 W = 0
		126 ⇌ 162	- Green R = 255 G = 255-0 B = 0 W = 0
		163	Red R = 255 G = 0 B = 0 W = 0
		164 ⇌ 200	+ Blue R = 255 G = 0 B = 0-255 W = 0
		201	Magenta R = 255 G = 0 B = 255 W = 0
		202 ⇌ 238	- Red R = 255-0 G = 0 B = 255 W = 0
		239	Blue R = 0 G = 0 B = 255 W = 0
		240 ⇌ 247	Color fade, fast to slow
248 ⇌ 255	Color snap, fast to slow		
11	Gobo	000	No function
		001 ⇌ 250	Gobos (indexed)
12	LED Macro / Auto Program	000 ⇌ 015	No function
		016 ⇌ 135	LED macros
		136 ⇌ 255	Auto programs
13	LED Macro / Auto Program Speed	000 ⇌ 127	Auto speed, fast to slow clockwise
		128	Hold
		129 ⇌ 255	Auto speed, slow to fast, counterclockwise
14	LED Built-in Delay	000 ⇌ 255	Fast to slow

Channel	Function	Value	Percent/Setting					
15	Background Color	000	No function					
		001 ⇔ 002	2700K	R=156	G=118	B=0	W=63	
		003 ⇔ 004	3200K	R=156	G=141	B=5	W=89	
		005 ⇔ 006	4200K	R=156	G=141	B=14	W=255	
		007 ⇔ 008	5600K	R=156	G=207	B=54	W=255	
		009 ⇔ 010	8000K	R=130	G=255	B=96	W=255	
		011	Blue	R=0	G=0	B=255	W=0	
		012 ⇔ 048	+ Green	R=0	G=0-255	B=255	W=0	
		049	Cyan	R=0	G=255	B=255	W=0	
		050 ⇔ 086	- Blue	R=0	G=255	B=255-0	W=0	
		087	Green	R=0	G=255	B=0	W=0	
		088 ⇔ 124	+ Red	R=0-255	G=255	B=0	W=0	
		125	Yellow	R=255	G=255	B=0	W=0	
		126 ⇔ 162	- Green	R=255	G=255-0	B=0	W=0	
		163	Red	R=255	G=0	B=0	W=0	
		164 ⇔ 200	+ Blue	R=255	G=0	B=0-255	W=0	
		201	Magenta	R=255	G=0	B=255	W=0	
		202 ⇔ 238	- Red	R=255-0	G=0	B=255	W=0	
		239	Blue	R=0	G=0	B=255	W=0	
		240 ⇔ 247	Color fade, fast to slow					
		248 ⇔ 255	Color snap, fast to slow					
		16	Background Dimmer	000 ⇔ 255	0-100%			
		17	Background Fine Dimmer	000 ⇔ 255	0-100%			
18	Ring Dimmer	000 ⇔ 255	0-100%					
19	Ring Fine Dimmer	000 ⇔ 255	0-100%					
20	Beam Dimmer	000 ⇔ 255	0-100%					
21	Beam Fine Dimmer	000 ⇔ 255	0-100%					
22	Ring Shutter	000 ⇔ 019	Off					
		020 ⇔ 024	On					
		025 ⇔ 069	Strobe, fast to slow					
		070 ⇔ 089	Strobe 100-0%, fast to slow					
		090 ⇔ 109	Strobe 0-100%, fast to slow					
		110 ⇔ 129	Random strobe, fast to slow					
		130 ⇔ 149	Random strobe 100-0%, fast to slow					
		150 ⇔ 169	Random strobe 0-100%, fast to slow					
		170 ⇔ 189	Pulse strobe, fast to slow					
		190 ⇔ 209	Random pulse strobe, fast to slow					
		210 ⇔ 229	Strobe 0-100-0%, fast to slow					
		230 ⇔ 244	Random pulse strobe, fast to slow					
		245 ⇔ 255	On					

Channel	Function	Value	Percent/Setting
23	Beam Shutter	000 ⇔ 019	Off
		020 ⇔ 024	On
		025 ⇔ 069	Strobe, fast to slow
		070 ⇔ 089	Strobe 100–0%, fast to slow
		090 ⇔ 109	Strobe 0–100%, fast to slow
		110 ⇔ 129	Random strobe, fast to slow
		130 ⇔ 149	Random strobe 100–0%, fast to slow
		150 ⇔ 169	Random strobe 0–100%, fast to slow
		170 ⇔ 189	Pulse strobe, fast to slow
		190 ⇔ 209	Random pulse strobe, fast to slow
		210 ⇔ 229	Strobe 0–100–0%, fast to slow
		230 ⇔ 244	Random pulse strobe, fast to slow
		245 ⇔ 255	On
24	Zoom	000 ⇔ 255	Wide to narrow
25	Control	000 ⇔ 009	No function
		010 ⇔ 014	Blackout on Pan/Tilt
		015 ⇔ 019	Reserved for future use
		020 ⇔ 024	RGBW (additive) color-mixing mode
		025 ⇔ 029	CMY (subtractive) color-mixing mode
		030 ⇔ 049	Reserved for future use
		050 ⇔ 054	Pan reset
		055 ⇔ 059	Tilt reset
		060 ⇔ 064	Zoom reset
		065 ⇔ 069	Reserved for future use
		070 ⇔ 074	Reset all
		075 ⇔ 109	Reserved for future use
		110 ⇔ 114	Fast Pan/Tilt speed
		115 ⇔ 119	Slow Pan/tilt speed
		120 ⇔ 124	Slow fan mode
		125 ⇔ 129	Full fan mode
		130 ⇔ 134	Auto fan mode
135 ⇔ 139	Fast dimmer mode		
140 ⇔ 144	Slow dimmer mode		
145 ⇔ 255	Reserved for future use		
26	Main Red	000 ⇔ 255	0–100%
27	Main Fine Red	000 ⇔ 255	0–100%
28	Main Green	000 ⇔ 255	0–100%
29	Main Fine Green	000 ⇔ 255	0–100%
30	Main Blue	000 ⇔ 255	0–100%
31	Main Fine Blue	000 ⇔ 255	0–100%
32	Main White	000 ⇔ 255	0–100%
33	Main Fine White	000 ⇔ 255	0–100%
34	Red 1	000 ⇔ 255	0–100%
35	Fine Red 1	000 ⇔ 255	0–100%
36	Green 1	000 ⇔ 255	0–100%
37	Fine Green 1	000 ⇔ 255	0–100%
38	Blue 1	000 ⇔ 255	0–100%
39	Fine Blue 1	000 ⇔ 255	0–100%
40	White 1	000 ⇔ 255	0–100%
41	Fine White 1	000 ⇔ 255	0–100%
42	Red 2	000 ⇔ 255	0–100%

Channel	Function	Value	Percent/Setting
43	Fine Red 2	000 ⇄ 255	0–100%
44	Green 2	000 ⇄ 255	0–100%
45	Fine Green 2	000 ⇄ 255	0–100%
46	Blue 2	000 ⇄ 255	0–100%
47	Fine Blue 2	000 ⇄ 255	0–100%
48	White 2	000 ⇄ 255	0–100%
49	Fine White 2	000 ⇄ 255	0–100%
50	Red 3	000 ⇄ 255	0–100%
51	Fine Red 3	000 ⇄ 255	0–100%
52	Green 3	000 ⇄ 255	0–100%
53	Fine Green 3	000 ⇄ 255	0–100%
54	Blue 3	000 ⇄ 255	0–100%
55	Fine Blue 3	000 ⇄ 255	0–100%
56	White 3	000 ⇄ 255	0–100%
57	Fine White 3	000 ⇄ 255	0–100%
58	Red 4	000 ⇄ 255	0–100%
59	Fine Red 4	000 ⇄ 255	0–100%
60	Green 4	000 ⇄ 255	0–100%
61	Fine Green 4	000 ⇄ 255	0–100%
62	Blue 4	000 ⇄ 255	0–100%
63	Fine Blue 4	000 ⇄ 255	0–100%
64	White 4	000 ⇄ 255	0–100%
65	Fine White 4	000 ⇄ 255	0–100%
66	Red 5	000 ⇄ 255	0–100%
67	Fine Red 5	000 ⇄ 255	0–100%
68	Green 5	000 ⇄ 255	0–100%
69	Fine Green 5	000 ⇄ 255	0–100%
70	Blue 5	000 ⇄ 255	0–100%
71	Fine Blue 5	000 ⇄ 255	0–100%
72	White 5	000 ⇄ 255	0–100%
73	Fine White 5	000 ⇄ 255	0–100%
74	Red 6	000 ⇄ 255	0–100%
75	Fine Red 6	000 ⇄ 255	0–100%
76	Green 6	000 ⇄ 255	0–100%
77	Fine Green 6	000 ⇄ 255	0–100%
78	Blue 6	000 ⇄ 255	0–100%
79	Fine Blue 6	000 ⇄ 255	0–100%
80	White 6	000 ⇄ 255	0–100%
81	Fine White 6	000 ⇄ 255	0–100%
82	Red 7	000 ⇄ 255	0–100%
83	Fine Red 7	000 ⇄ 255	0–100%
84	Green 7	000 ⇄ 255	0–100%
85	Fine Green 7	000 ⇄ 255	0–100%
86	Blue 7	000 ⇄ 255	0–100%
87	Fine Blue 7	000 ⇄ 255	0–100%
88	White 7	000 ⇄ 255	0–100%
89	Fine White 7	000 ⇄ 255	0–100%
90	Red 8	000 ⇄ 255	0–100%
91	Fine Red 8	000 ⇄ 255	0–100%
92	Green 8	000 ⇄ 255	0–100%
93	Fine Green 8	000 ⇄ 255	0–100%

Operation

Channel	Function	Value	Percent/Setting
94	Blue 8	000 ⇔ 255	0–100%
95	Fine Blue 8	000 ⇔ 255	0–100%
96	White 8	000 ⇔ 255	0–100%
97	Fine White 8	000 ⇔ 255	0–100%
98	Red 9	000 ⇔ 255	0–100%
99	Fine Red 9	000 ⇔ 255	0–100%
100	Green 9	000 ⇔ 255	0–100%
101	Fine Green 9	000 ⇔ 255	0–100%
102	Blue 9	000 ⇔ 255	0–100%
103	Fine Blue 9	000 ⇔ 255	0–100%
104	White 9	000 ⇔ 255	0–100%
105	Fine White 9	000 ⇔ 255	0–100%
106	Red 10	000 ⇔ 255	0–100%
107	Fine Red 10	000 ⇔ 255	0–100%
108	Green 10	000 ⇔ 255	0–100%
109	Fine Green 10	000 ⇔ 255	0–100%
110	Blue 10	000 ⇔ 255	0–100%
111	Fine Blue 10	000 ⇔ 255	0–100%
112	White 10	000 ⇔ 255	0–100%
113	Fine White 10	000 ⇔ 255	0–100%

Single Control: Standard Mode (66-channel)

Channel	Function	Value	Percent/Setting
1	Pan	000 ⇔ 255	0–100%
2	Pan Fine	000 ⇔ 255	0–100%
3	Tilt	000 ⇔ 255	0–100%
4	Tilt Fine	000 ⇔ 255	0–100%
5	Continuous Pan	000	No function
		001 ⇔ 127	Continuous pan, fast to slow
		128 129 ⇔ 255	No function Reverse continuous pan, slow to fast
6	Continuous Tilt	000	No function
		001 ⇔ 127	Continuous tilt, fast to slow
		128 129 ⇔ 255	No function Reverse continuous tilt, slow to fast
7	Pan/Tilt Speed	000 ⇔ 255	Fast to slow
8	CTC	000	No function
		001 ⇔ 255	Color temperature, 2800–10000 K

Channel	Function	Value	Percent/Setting
9	Ring Color	000	No function
		001 ⇔ 002	2700K R = 156 G = 118 B = 0 W = 63
		003 ⇔ 004	3200K R = 156 G = 141 B = 5 W = 89
		005 ⇔ 006	4200K R = 156 G = 141 B = 14 W = 255
		007 ⇔ 008	5600K R = 156 G = 207 B = 54 W = 255
		009 ⇔ 010	8000K R = 130 G = 255 B = 96 W = 255
		011	Blue R = 0 G = 0 B = 255 W = 0
		012 ⇔ 048	+ Green R = 0 G = 0-255 B = 255 W = 0
		049	Cyan R = 0 G = 255 B = 255 W = 0
		050 ⇔ 086	- Blue R = 0 G = 255 B = 255-0 W = 0
		087	Green R = 0 G = 255 B = 0 W = 0
		088 ⇔ 124	+ Red R = 0-255 G = 255 B = 0 W = 0
		125	Yellow R = 255 G = 255 B = 0 W = 0
		126 ⇔ 162	- Green R = 255 G = 255-0 B = 0 W = 0
		163	Red R = 255 G = 0 B = 0 W = 0
		164 ⇔ 200	+ Blue R = 255 G = 0 B = 0-255 W = 0
		201	Magenta R = 255 G = 0 B = 255 W = 0
		202 ⇔ 238	- Red R = 255-0 G = 0 B = 255 W = 0
		239	Blue R = 0 G = 0 B = 255 W = 0
		240 ⇔ 247	Color fade, fast to slow
248 ⇔ 255	Color snap, fast to slow		
10	Beam Color	000	No function
		001 ⇔ 002	2700K R = 156 G = 118 B = 0 W = 63
		003 ⇔ 004	3200K R = 156 G = 141 B = 5 W = 89
		005 ⇔ 006	4200K R = 156 G = 141 B = 14 W = 255
		007 ⇔ 008	5600K R = 156 G = 207 B = 54 W = 255
		009 ⇔ 010	8000K R = 130 G = 255 B = 96 W = 255
		011	Blue R = 0 G = 0 B = 255 W = 0
		012 ⇔ 048	+ Green R = 0 G = 0-255 B = 255 W = 0
		049	Cyan R = 0 G = 255 B = 255 W = 0
		050 ⇔ 086	- Blue R = 0 G = 255 B = 255-0 W = 0
		087	Green R = 0 G = 255 B = 0 W = 0
		088 ⇔ 124	+ Red R = 0-255 G = 255 B = 0 W = 0
		125	Yellow R = 255 G = 255 B = 0 W = 0
		126 ⇔ 162	- Green R = 255 G = 255-0 B = 0 W = 0
		163	Red R = 255 G = 0 B = 0 W = 0
		164 ⇔ 200	+ Blue R = 255 G = 0 B = 0-255 W = 0
		201	Magenta R = 255 G = 0 B = 255 W = 0
		202 ⇔ 238	- Red R = 255-0 G = 0 B = 255 W = 0
		239	Blue R = 0 G = 0 B = 255 W = 0
		240 ⇔ 247	Color fade, fast to slow
248 ⇔ 255	Color snap, fast to slow		
11	Gobo	000	No function
		001 ⇔ 250	Gobos (indexed)
12	LED Macro / Auto Program	000 ⇔ 015	No function
		016 ⇔ 135	LED macros
		136 ⇔ 255	Auto programs
13	LED Macro / Auto Program Speed	000 ⇔ 127	Auto speed, fast to slow clockwise
		128	Hold
		129 ⇔ 255	Auto speed, slow to fast, counterclockwise
14	LED Built-in Delay	000 ⇔ 255	Fast to slow

Channel	Function	Value	Percent/Setting
15	Background Color	000	No function
		001 ⇔ 002	2700K R=156 G=118 B=0 W=63
		003 ⇔ 004	3200K R=156 G=141 B=5 W=89
		005 ⇔ 006	4200K R=156 G=141 B=14 W=255
		007 ⇔ 008	5600K R=156 G=207 B=54 W=255
		009 ⇔ 010	8000K R=130 G=255 B=96 W=255
		011	Blue R=0 G=0 B=255 W=0
		012 ⇔ 048	+ Green R=0 G=0-255 B=255 W=0
		049	Cyan R=0 G=255 B=255 W=0
		050 ⇔ 086	- Blue R=0 G=255 B=255-0 W=0
		087	Green R=0 G=255 B=0 W=0
		088 ⇔ 124	+ Red R=0-255 G=255 B=0 W=0
		125	Yellow R=255 G=255 B=0 W=0
		126 ⇔ 162	- Green R=255 G=255-0 B=0 W=0
		163	Red R=255 G=0 B=0 W=0
		164 ⇔ 200	+ Blue R=255 G=0 B=0-255 W=0
		201	Magenta R=255 G=0 B=255 W=0
		202 ⇔ 238	- Red R=255-0 G=0 B=255 W=0
		239	Blue R=0 G=0 B=255 W=0
		240 ⇔ 247	Color fade, fast to slow
248 ⇔ 255	Color snap, fast to slow		
16	Background Dimmer	000 ⇔ 255	0-100%
17	Ring Dimmer	000 ⇔ 255	0-100%
18	Beam Dimmer	000 ⇔ 255	0-100%
19	Ring Shutter	000 ⇔ 019	Off
		020 ⇔ 024	On
		025 ⇔ 069	Strobe, fast to slow
		070 ⇔ 089	Strobe 100-0%, fast to slow
		090 ⇔ 109	Strobe 0-100%, fast to slow
		110 ⇔ 129	Random strobe, fast to slow
		130 ⇔ 149	Random strobe 100-0%, fast to slow
		150 ⇔ 169	Random strobe 0-100%, fast to slow
		170 ⇔ 189	Pulse strobe, fast to slow
		190 ⇔ 209	Random pulse strobe, fast to slow
		210 ⇔ 229	Strobe 0-100-0%, fast to slow
		230 ⇔ 244	Random pulse strobe, fast to slow
		245 ⇔ 255	On
20	Beam Shutter	000 ⇔ 019	Off
		020 ⇔ 024	On
		025 ⇔ 069	Strobe, fast to slow
		070 ⇔ 089	Strobe 100-0%, fast to slow
		090 ⇔ 109	Strobe 0-100%, fast to slow
		110 ⇔ 129	Random strobe, fast to slow
		130 ⇔ 149	Random strobe 100-0%, fast to slow
		150 ⇔ 169	Random strobe 0-100%, fast to slow
		170 ⇔ 189	Pulse strobe, fast to slow
		190 ⇔ 209	Random pulse strobe, fast to slow
		210 ⇔ 229	Strobe 0-100-0%, fast to slow
21	Zoom	230 ⇔ 244	Random pulse strobe, fast to slow
		245 ⇔ 255	On
		000 ⇔ 255	Wide to narrow

Channel	Function	Value	Percent/Setting
22	Control	000 ⇔ 009	No function
		010 ⇔ 014	Blackout on Pan/Tilt
		015 ⇔ 019	Reserved for future use
		020 ⇔ 024	RGBW (additive) color-mixing mode
		025 ⇔ 029	CMY (subtractive) color-mixing mode
		030 ⇔ 049	Reserved for future use
		050 ⇔ 054	Pan reset
		055 ⇔ 059	Tilt reset
		060 ⇔ 064	Zoom reset
		065 ⇔ 069	Reserved for future use
		070 ⇔ 074	Reset all
		075 ⇔ 109	Reserved for future use
		110 ⇔ 114	Fast Pan/Tilt speed
		115 ⇔ 119	Slow Pan/tilt speed
		120 ⇔ 124	Slow fan mode
		125 ⇔ 129	Full fan mode
		130 ⇔ 134	Auto fan mode
		135 ⇔ 139	Fast dimmer mode
140 ⇔ 144	Slow dimmer mode		
145 ⇔ 255	Reserved for future use		
23	Main Red	000 ⇔ 255	0–100%
24	Main Green	000 ⇔ 255	0–100%
25	Main Blue	000 ⇔ 255	0–100%
26	Main White	000 ⇔ 255	0–100%
27	Red 1	000 ⇔ 255	0–100%
28	Green 1	000 ⇔ 255	0–100%
29	Blue 1	000 ⇔ 255	0–100%
30	White 1	000 ⇔ 255	0–100%
31	Red 2	000 ⇔ 255	0–100%
32	Green 2	000 ⇔ 255	0–100%
33	Blue 2	000 ⇔ 255	0–100%
34	White 2	000 ⇔ 255	0–100%
35	Red 3	000 ⇔ 255	0–100%
36	Green 3	000 ⇔ 255	0–100%
37	Blue 3	000 ⇔ 255	0–100%
38	White 3	000 ⇔ 255	0–100%
39	Red 4	000 ⇔ 255	0–100%
40	Green 4	000 ⇔ 255	0–100%
41	Blue 4	000 ⇔ 255	0–100%
42	White 4	000 ⇔ 255	0–100%
43	Red 5	000 ⇔ 255	0–100%
44	Green 5	000 ⇔ 255	0–100%
45	Blue 5	000 ⇔ 255	0–100%
46	White 5	000 ⇔ 255	0–100%
47	Red 6	000 ⇔ 255	0–100%
48	Green 6	000 ⇔ 255	0–100%
49	Blue 6	000 ⇔ 255	0–100%
50	White 6	000 ⇔ 255	0–100%
51	Red 7	000 ⇔ 255	0–100%
52	Green 7	000 ⇔ 255	0–100%
53	Blue 7	000 ⇔ 255	0–100%

Operation

Channel	Function	Value	Percent/Setting
54	White 7	000 ⇔ 255	0–100%
55	Red 8	000 ⇔ 255	0–100%
56	Green 8	000 ⇔ 255	0–100%
57	Blue 8	000 ⇔ 255	0–100%
58	White 8	000 ⇔ 255	0–100%
59	Red 9	000 ⇔ 255	0–100%
60	Green 9	000 ⇔ 255	0–100%
61	Blue 9	000 ⇔ 255	0–100%
62	White 9	000 ⇔ 255	0–100%
63	Red 10	000 ⇔ 255	0–100%
64	Green 10	000 ⇔ 255	0–100%
65	Blue 10	000 ⇔ 255	0–100%
66	White 10	000 ⇔ 255	0–100%

Single Control: Basic Mode (26-channel)

Channel	Function	Value	Percent/Setting
1	Pan	000 ⇔ 255	0–100%
2	Pan Fine	000 ⇔ 255	0–100%
3	Tilt	000 ⇔ 255	0–100%
4	Tilt Fine	000 ⇔ 255	0–100%
5	Continuous Pan	000	No function
		001 ⇔ 127	Continuous pan, fast to slow
		128	No function
129 ⇔ 255	Reverse continuous pan, slow to fast		
6	Continuous Tilt	000	No function
		001 ⇔ 127	Continuous tilt, fast to slow
		128	No function
129 ⇔ 255	Reverse continuous tilt, slow to fast		
7	Pan/Tilt Speed	000 ⇔ 255	Fast to slow
8	CTC	000	No function
		001 ⇔ 255	Color temperature, 2800–10000 K

Channel	Function	Value	Percent/Setting
9	Ring Color	000	No function
		001 ⇔ 002	2700K R = 156 G = 118 B = 0 W = 63
		003 ⇔ 004	3200K R = 156 G = 141 B = 5 W = 89
		005 ⇔ 006	4200K R = 156 G = 141 B = 14 W = 255
		007 ⇔ 008	5600K R = 156 G = 207 B = 54 W = 255
		009 ⇔ 010	8000K R = 130 G = 255 B = 96 W = 255
		011	Blue R = 0 G = 0 B = 255 W = 0
		012 ⇔ 048	+ Green R = 0 G = 0-255 B = 255 W = 0
		049	Cyan R = 0 G = 255 B = 255 W = 0
		050 ⇔ 086	- Blue R = 0 G = 255 B = 255-0 W = 0
		087	Green R = 0 G = 255 B = 0 W = 0
		088 ⇔ 124	+ Red R = 0-255 G = 255 B = 0 W = 0
		125	Yellow R = 255 G = 255 B = 0 W = 0
		126 ⇔ 162	- Green R = 255 G = 255-0 B = 0 W = 0
		163	Red R = 255 G = 0 B = 0 W = 0
		164 ⇔ 200	+ Blue R = 255 G = 0 B = 0-255 W = 0
		201	Magenta R = 255 G = 0 B = 255 W = 0
		202 ⇔ 238	- Red R = 255-0 G = 0 B = 255 W = 0
		239	Blue R = 0 G = 0 B = 255 W = 0
		240 ⇔ 247	Color fade, fast to slow
248 ⇔ 255	Color snap, fast to slow		
10	Beam Color	000	No function
		001 ⇔ 002	2700K R = 156 G = 118 B = 0 W = 63
		003 ⇔ 004	3200K R = 156 G = 141 B = 5 W = 89
		005 ⇔ 006	4200K R = 156 G = 141 B = 14 W = 255
		007 ⇔ 008	5600K R = 156 G = 207 B = 54 W = 255
		009 ⇔ 010	8000K R = 130 G = 255 B = 96 W = 255
		011	Blue R = 0 G = 0 B = 255 W = 0
		012 ⇔ 048	+ Green R = 0 G = 0-255 B = 255 W = 0
		049	Cyan R = 0 G = 255 B = 255 W = 0
		050 ⇔ 086	- Blue R = 0 G = 255 B = 255-0 W = 0
		087	Green R = 0 G = 255 B = 0 W = 0
		088 ⇔ 124	+ Red R = 0-255 G = 255 B = 0 W = 0
		125	Yellow R = 255 G = 255 B = 0 W = 0
		126 ⇔ 162	- Green R = 255 G = 255-0 B = 0 W = 0
		163	Red R = 255 G = 0 B = 0 W = 0
		164 ⇔ 200	+ Blue R = 255 G = 0 B = 0-255 W = 0
		201	Magenta R = 255 G = 0 B = 255 W = 0
		202 ⇔ 238	- Red R = 255-0 G = 0 B = 255 W = 0
		239	Blue R = 0 G = 0 B = 255 W = 0
		240 ⇔ 247	Color fade, fast to slow
248 ⇔ 255	Color snap, fast to slow		
11	Gobo	000	No function
		001 ⇔ 250	Gobos (indexed)
12	LED Macro / Auto Program	000 ⇔ 015	No function
		016 ⇔ 135	LED macros
		136 ⇔ 255	Auto programs
13	LED Macro / Auto Program Speed	000 ⇔ 127	Auto speed, fast to slow clockwise
		128	Hold
		129 ⇔ 255	Auto speed, slow to fast, counterclockwise
14	LED Built-in Delay	000 ⇔ 255	Fast to slow

Channel	Function	Value	Percent/Setting
15	Background Color	000	No function
		001 ⇔ 002	2700K R=156 G=118 B=0 W=63
		003 ⇔ 004	3200K R=156 G=141 B=5 W=89
		005 ⇔ 006	4200K R=156 G=141 B=14 W=255
		007 ⇔ 008	5600K R=156 G=207 B=54 W=255
		009 ⇔ 010	8000K R=130 G=255 B=96 W=255
		011	Blue R=0 G=0 B=255 W=0
		012 ⇔ 048	+ Green R=0 G=0-255 B=255 W=0
		049	Cyan R=0 G=255 B=255 W=0
		050 ⇔ 086	- Blue R=0 G=255 B=255-0 W=0
		087	Green R=0 G=255 B=0 W=0
		088 ⇔ 124	+ Red R=0-255 G=255 B=0 W=0
		125	Yellow R=255 G=255 B=0 W=0
		126 ⇔ 162	- Green R=255 G=255-0 B=0 W=0
		163	Red R=255 G=0 B=0 W=0
		164 ⇔ 200	+ Blue R=255 G=0 B=0-255 W=0
		201	Magenta R=255 G=0 B=255 W=0
		202 ⇔ 238	- Red R=255-0 G=0 B=255 W=0
		239	Blue R=0 G=0 B=255 W=0
		240 ⇔ 247	Color fade, fast to slow
248 ⇔ 255	Color snap, fast to slow		
16	Background Dimmer	000 ⇔ 255	0-100%
17	Ring Dimmer	000 ⇔ 255	0-100%
18	Beam Dimmer	000 ⇔ 255	0-100%
19	Ring Shutter	000 ⇔ 019	Off
		020 ⇔ 024	On
		025 ⇔ 069	Strobe, fast to slow
		070 ⇔ 089	Strobe 100-0%, fast to slow
		090 ⇔ 109	Strobe 0-100%, fast to slow
		110 ⇔ 129	Random strobe, fast to slow
		130 ⇔ 149	Random strobe 100-0%, fast to slow
		150 ⇔ 169	Random strobe 0-100%, fast to slow
		170 ⇔ 189	Pulse strobe, fast to slow
		190 ⇔ 209	Random pulse strobe, fast to slow
		210 ⇔ 229	Strobe 0-100-0%, fast to slow
		230 ⇔ 244	Random pulse strobe, fast to slow
		245 ⇔ 255	On
20	Beam Shutter	000 ⇔ 019	Off
		020 ⇔ 024	On
		025 ⇔ 069	Strobe, fast to slow
		070 ⇔ 089	Strobe 100-0%, fast to slow
		090 ⇔ 109	Strobe 0-100%, fast to slow
		110 ⇔ 129	Random strobe, fast to slow
		130 ⇔ 149	Random strobe 100-0%, fast to slow
		150 ⇔ 169	Random strobe 0-100%, fast to slow
		170 ⇔ 189	Pulse strobe, fast to slow
		190 ⇔ 209	Random pulse strobe, fast to slow
		210 ⇔ 229	Strobe 0-100-0%, fast to slow
230 ⇔ 244	Random pulse strobe, fast to slow		
245 ⇔ 255	On		
21	Zoom	000 ⇔ 255	Wide to narrow

Channel	Function	Value	Percent/Setting
22	Control	000 ⇔ 009	No function
		010 ⇔ 014	Blackout on Pan/Tilt
		015 ⇔ 019	Reserved for future use
		020 ⇔ 024	RGBW (additive) color-mixing mode
		025 ⇔ 029	CMY (subtractive) color-mixing mode
		030 ⇔ 049	Reserved for future use
		050 ⇔ 054	Pan reset
		055 ⇔ 059	Tilt reset
		060 ⇔ 064	Zoom reset
		065 ⇔ 069	Reserved for future use
		070 ⇔ 074	Reset all
		075 ⇔ 109	Reserved for future use
		110 ⇔ 114	Fast Pan/Tilt speed
		115 ⇔ 119	Slow Pan/tilt speed
		120 ⇔ 124	Slow fan mode
		125 ⇔ 129	Full fan mode
		130 ⇔ 134	Auto fan mode
		135 ⇔ 139	Fast dimmer mode
140 ⇔ 144	Slow dimmer mode		
145 ⇔ 255	Reserved for future use		
23	Main Red	000 ⇔ 255	0–100%
24	Main Green	000 ⇔ 255	0–100%
25	Main Blue	000 ⇔ 255	0–100%
26	Main White	000 ⇔ 255	0–100%

Dual Control Values

Dual Control Movement

Dual Control: Advanced Movement Mode (41-channel)

Channel	Function	Value	Percent/Setting
1	Pan	000 ⇔ 255	0–100%
2	Pan Fine	000 ⇔ 255	0–100%
3	Tilt	000 ⇔ 255	0–100%
4	Tilt Fine	000 ⇔ 255	0–100%
5	Continuous Pan	000	No function
		001 ⇔ 127	Continuous pan, fast to slow
		128	No function
		129 ⇔ 255	Reverse continuous pan, slow to fast
6	Continuous Tilt	000	No function
		001 ⇔ 127	Continuous tilt, fast to slow
		128	No function
		129 ⇔ 255	Reverse continuous tilt, slow to fast
7	Pan/Tilt Speed	000 ⇔ 255	Fast to slow
8	CTC	000	No function
		001 ⇔ 255	Color temperature, 2800–10000 K

Channel	Function	Value	Percent/Setting
9	Ring Color	000	No function
		001 ⇔ 002	2700K R = 156 G = 118 B = 0 W = 63
		003 ⇔ 004	3200K R = 156 G = 141 B = 5 W = 89
		005 ⇔ 006	4200K R = 156 G = 141 B = 14 W = 255
		007 ⇔ 008	5600K R = 156 G = 207 B = 54 W = 255
		009 ⇔ 010	8000K R = 130 G = 255 B = 96 W = 255
		011	Blue R = 0 G = 0 B = 255 W = 0
		012 ⇔ 048	+ Green R = 0 G = 0-255 B = 255 W = 0
		049	Cyan R = 0 G = 255 B = 255 W = 0
		050 ⇔ 086	- Blue R = 0 G = 255 B = 255-0 W = 0
		087	Green R = 0 G = 255 B = 0 W = 0
		088 ⇔ 124	+ Red R = 0-255 G = 255 B = 0 W = 0
		125	Yellow R = 255 G = 255 B = 0 W = 0
		126 ⇔ 162	- Green R = 255 G = 255-0 B = 0 W = 0
		163	Red R = 255 G = 0 B = 0 W = 0
		164 ⇔ 200	+ Blue R = 255 G = 0 B = 0-255 W = 0
		201	Magenta R = 255 G = 0 B = 255 W = 0
		202 ⇔ 238	- Red R = 255-0 G = 0 B = 255 W = 0
		239	Blue R = 0 G = 0 B = 255 W = 0
		240 ⇔ 247	Color fade, fast to slow
248 ⇔ 255	Color snap, fast to slow		
10	Beam Color	000	No function
		001 ⇔ 002	2700K R = 156 G = 118 B = 0 W = 63
		003 ⇔ 004	3200K R = 156 G = 141 B = 5 W = 89
		005 ⇔ 006	4200K R = 156 G = 141 B = 14 W = 255
		007 ⇔ 008	5600K R = 156 G = 207 B = 54 W = 255
		009 ⇔ 010	8000K R = 130 G = 255 B = 96 W = 255
		011	Blue R = 0 G = 0 B = 255 W = 0
		012 ⇔ 048	+ Green R = 0 G = 0-255 B = 255 W = 0
		049	Cyan R = 0 G = 255 B = 255 W = 0
		050 ⇔ 086	- Blue R = 0 G = 255 B = 255-0 W = 0
		087	Green R = 0 G = 255 B = 0 W = 0
		088 ⇔ 124	+ Red R = 0-255 G = 255 B = 0 W = 0
		125	Yellow R = 255 G = 255 B = 0 W = 0
		126 ⇔ 162	- Green R = 255 G = 255-0 B = 0 W = 0
		163	Red R = 255 G = 0 B = 0 W = 0
		164 ⇔ 200	+ Blue R = 255 G = 0 B = 0-255 W = 0
		201	Magenta R = 255 G = 0 B = 255 W = 0
		202 ⇔ 238	- Red R = 255-0 G = 0 B = 255 W = 0
		239	Blue R = 0 G = 0 B = 255 W = 0
		240 ⇔ 247	Color fade, fast to slow
248 ⇔ 255	Color snap, fast to slow		
11	Gobo	000	No function
		001 ⇔ 250	Gobos (indexed)
12	LED Macro / Auto Program	000 ⇔ 015	No function
		016 ⇔ 135	LED macros
		136 ⇔ 255	Auto programs
13	LED Macro / Auto Program Speed	000 ⇔ 127	Auto speed, fast to slow clockwise
		128	Hold
		129 ⇔ 255	Auto speed, slow to fast, counterclockwise
14	LED Built-in Delay	000 ⇔ 255	Fast to slow

Channel	Function	Value	Percent/Setting				
15	Background Color	000	No function				
		001 ⇔ 002	2700K	R=156	G=118	B=0	W=63
		003 ⇔ 004	3200K	R=156	G=141	B=5	W=89
		005 ⇔ 006	4200K	R=156	G=141	B=14	W=255
		007 ⇔ 008	5600K	R=156	G=207	B=54	W=255
		009 ⇔ 010	8000K	R=130	G=255	B=96	W=255
		011	Blue	R=0	G=0	B=255	W=0
		012 ⇔ 048	+ Green	R=0	G=0-255	B=255	W=0
		049	Cyan	R=0	G=255	B=255	W=0
		050 ⇔ 086	- Blue	R=0	G=255	B=255-0	W=0
		087	Green	R=0	G=255	B=0	W=0
		088 ⇔ 124	+ Red	R=0-255	G=255	B=0	W=0
		125	Yellow	R=255	G=255	B=0	W=0
		126 ⇔ 162	- Green	R=255	G=255-0	B=0	W=0
		163	Red	R=255	G=0	B=0	W=0
		164 ⇔ 200	+ Blue	R=255	G=0	B=0-255	W=0
		201	Magenta	R=255	G=0	B=255	W=0
		202 ⇔ 238	- Red	R=255-0	G=0	B=255	W=0
		239	Blue	R=0	G=0	B=255	W=0
		240 ⇔ 247	Color fade, fast to slow				
		248 ⇔ 255	Color snap, fast to slow				
16	Background Dimmer	000 ⇔ 255	0-100%				
17	Background Fine Dimmer	000 ⇔ 255	0-100%				
18	Ring Dimmer	000 ⇔ 255	0-100%				
19	Ring Fine Dimmer	000 ⇔ 255	0-100%				
20	Beam Dimmer	000 ⇔ 255	0-100%				
21	Beam Fine Dimmer	000 ⇔ 255	0-100%				
22	Ring Shutter	000 ⇔ 019	Off				
		020 ⇔ 024	On				
		025 ⇔ 069	Strobe, fast to slow				
		070 ⇔ 089	Strobe 100-0%, fast to slow				
		090 ⇔ 109	Strobe 0-100%, fast to slow				
		110 ⇔ 129	Random strobe, fast to slow				
		130 ⇔ 149	Random strobe 100-0%, fast to slow				
		150 ⇔ 169	Random strobe 0-100%, fast to slow				
		170 ⇔ 189	Pulse strobe, fast to slow				
		190 ⇔ 209	Random pulse strobe, fast to slow				
		210 ⇔ 229	Strobe 0-100-0%, fast to slow				
		230 ⇔ 244	Random pulse strobe, fast to slow				
		245 ⇔ 255	On				

Channel	Function	Value	Percent/Setting
23	Beam Shutter	000 ⇔ 019	Off
		020 ⇔ 024	On
		025 ⇔ 069	Strobe, fast to slow
		070 ⇔ 089	Strobe 100–0%, fast to slow
		090 ⇔ 109	Strobe 0–100%, fast to slow
		110 ⇔ 129	Random strobe, fast to slow
		130 ⇔ 149	Random strobe 100–0%, fast to slow
		150 ⇔ 169	Random strobe 0–100%, fast to slow
		170 ⇔ 189	Pulse strobe, fast to slow
		190 ⇔ 209	Random pulse strobe, fast to slow
		210 ⇔ 229	Strobe 0–100–0%, fast to slow
		230 ⇔ 244	Random pulse strobe, fast to slow
		245 ⇔ 255	On
24	Zoom	000 ⇔ 255	Wide to narrow
25	Control	000 ⇔ 009	No function
		010 ⇔ 014	Blackout on Pan/Tilt
		015 ⇔ 019	Reserved for future use
		020 ⇔ 024	RGBW (additive) color-mixing mode
		025 ⇔ 029	CMY (subtractive) color-mixing mode
		030 ⇔ 049	Reserved for future use
		050 ⇔ 054	Pan reset
		055 ⇔ 059	Tilt reset
		060 ⇔ 064	Zoom reset
		065 ⇔ 069	Reserved for future use
		070 ⇔ 074	Reset all
		075 ⇔ 109	Reserved for future use
		110 ⇔ 114	Fast Pan/Tilt speed
		115 ⇔ 119	Slow Pan/tilt speed
		120 ⇔ 124	Slow fan mode
		125 ⇔ 129	Full fan mode
130 ⇔ 134	Auto fan mode		
135 ⇔ 139	Fast dimmer mode		
140 ⇔ 144	Slow dimmer mode		
145 ⇔ 255	Reserved for future use		
26	Ring Red	000 ⇔ 255	0–100%
27	Fine Ring Red	000 ⇔ 255	0–100%
28	Beam Red	000 ⇔ 255	0–100%
29	Fine Beam Red	000 ⇔ 255	0–100%
30	Ring Green	000 ⇔ 255	0–100%
31	Fine Ring Green	000 ⇔ 255	0–100%
32	Beam Green	000 ⇔ 255	0–100%
33	Fine Beam Green	000 ⇔ 255	0–100%
34	Ring Blue	000 ⇔ 255	0–100%
35	Fine Ring Blue	000 ⇔ 255	0–100%
36	Beam Blue	000 ⇔ 255	0–100%
37	Fine Beam Blue	000 ⇔ 255	0–100%
38	Ring White	000 ⇔ 255	0–100%
39	Fine Ring White	000 ⇔ 255	0–100%
40	Beam White	000 ⇔ 255	0–100%
41	Fine Beam White	000 ⇔ 255	0–100%

Dual Control: Standard Movement Mode (30-channel)

Channel	Function	Value	Percent/Setting
1	Pan	000 ⇔ 255	0–100%
2	Pan Fine	000 ⇔ 255	0–100%
3	Tilt	000 ⇔ 255	0–100%
4	Tilt Fine	000 ⇔ 255	0–100%
5	Continuous Pan	000	No function
		001 ⇔ 127	Continuous pan, fast to slow
		128	No function
		129 ⇔ 255	Reverse continuous pan, slow to fast
6	Continuous Tilt	000	No function
		001 ⇔ 127	Continuous tilt, fast to slow
		128	No function
		129 ⇔ 255	Reverse continuous tilt, slow to fast
7	Pan/Tilt Speed	000 ⇔ 255	Fast to slow
8	CTC	000	No function
		001 ⇔ 255	Color temperature, 2800–10000 K
9	Ring Color	000	No function
		001 ⇔ 002	2700K R = 156 G = 118 B = 0 W = 63
		003 ⇔ 004	3200K R = 156 G = 141 B = 5 W = 89
		005 ⇔ 006	4200K R = 156 G = 141 B = 14 W = 255
		007 ⇔ 008	5600K R = 156 G = 207 B = 54 W = 255
		009 ⇔ 010	8000K R = 130 G = 255 B = 96 W = 255
		011	Blue R = 0 G = 0 B = 255 W = 0
		012 ⇔ 048	+ Green R = 0 G = 0–255 B = 255 W = 0
		049	Cyan R = 0 G = 255 B = 255 W = 0
		050 ⇔ 086	- Blue R = 0 G = 255 B = 255–0 W = 0
		087	Green R = 0 G = 255 B = 0 W = 0
		088 ⇔ 124	+ Red R = 0–255 G = 255 B = 0 W = 0
		125	Yellow R = 255 G = 255 B = 0 W = 0
		126 ⇔ 162	- Green R = 255 G = 255–0 B = 0 W = 0
		163	Red R = 255 G = 0 B = 0 W = 0
		164 ⇔ 200	+ Blue R = 255 G = 0 B = 0–255 W = 0
		201	Magenta R = 255 G = 0 B = 255 W = 0
		202 ⇔ 238	- Red R = 255–0 G = 0 B = 255 W = 0
		239	Blue R = 0 G = 0 B = 255 W = 0
		240 ⇔ 247	Color fade, fast to slow
248 ⇔ 255	Color snap, fast to slow		

Channel	Function	Value	Percent/Setting				
10	Beam Color	000	No function				
		001 ⇔ 002	2700K	R = 156	G = 118	B = 0	W = 63
		003 ⇔ 004	3200K	R = 156	G = 141	B = 5	W = 89
		005 ⇔ 006	4200K	R = 156	G = 141	B = 14	W = 255
		007 ⇔ 008	5600K	R = 156	G = 207	B = 54	W = 255
		009 ⇔ 010	8000K	R = 130	G = 255	B = 96	W = 255
		011	Blue	R = 0	G = 0	B = 255	W = 0
		012 ⇔ 048	+ Green	R = 0	G = 0–255	B = 255	W = 0
		049	Cyan	R = 0	G = 255	B = 255	W = 0
		050 ⇔ 086	- Blue	R = 0	G = 255	B = 255–0	W = 0
		087	Green	R = 0	G = 255	B = 0	W = 0
		088 ⇔ 124	+ Red	R = 0–255	G = 255	B = 0	W = 0
		125	Yellow	R = 255	G = 255	B = 0	W = 0
		126 ⇔ 162	- Green	R = 255	G = 255–0	B = 0	W = 0
		163	Red	R = 255	G = 0	B = 0	W = 0
		164 ⇔ 200	+ Blue	R = 255	G = 0	B = 0–255	W = 0
		201	Magenta	R = 255	G = 0	B = 255	W = 0
		202 ⇔ 238	- Red	R = 255–0	G = 0	B = 255	W = 0
		239	Blue	R = 0	G = 0	B = 255	W = 0
		240 ⇔ 247	Color fade, fast to slow				
248 ⇔ 255	Color snap, fast to slow						
11	Gobo	000	No function				
		001 ⇔ 250	Gobos (indexed)				
12	LED Macro / Auto Program	000 ⇔ 015	No function				
		016 ⇔ 135	LED macros				
		136 ⇔ 255	Auto programs				
13	LED Macro / Auto Program Speed	000 ⇔ 127	Auto speed, fast to slow clockwise				
		128	Hold				
		129 ⇔ 255	Auto speed, slow to fast, counterclockwise				
14	LED Built-in Delay	000 ⇔ 255	Fast to slow				
15	Background Color	000	No function				
		001 ⇔ 002	2700K	R=156	G=118	B=0	W=63
		003 ⇔ 004	3200K	R=156	G=141	B=5	W=89
		005 ⇔ 006	4200K	R=156	G=141	B=14	W=255
		007 ⇔ 008	5600K	R=156	G=207	B=54	W=255
		009 ⇔ 010	8000K	R=130	G=255	B=96	W=255
		011	Blue	R=0	G=0	B=255	W=0
		012 ⇔ 048	+ Green	R=0	G=0–255	B=255	W=0
		049	Cyan	R=0	G=255	B=255	W=0
		050 ⇔ 086	- Blue	R=0	G=255	B=255–0	W=0
		087	Green	R=0	G=255	B=0	W=0
		088 ⇔ 124	+ Red	R=0–255	G=255	B=0	W=0
		125	Yellow	R=255	G=255	B=0	W=0
		126 ⇔ 162	- Green	R=255	G=255–0	B=0	W=0
		163	Red	R=255	G=0	B=0	W=0
		164 ⇔ 200	+ Blue	R=255	G=0	B=0–255	W=0
		201	Magenta	R=255	G=0	B=255	W=0
		202 ⇔ 238	- Red	R=255–0	G=0	B=255	W=0
		239	Blue	R=0	G=0	B=255	W=0
		240 ⇔ 247	Color fade, fast to slow				
248 ⇔ 255	Color snap, fast to slow						

Channel	Function	Value	Percent/Setting
16	Background Dimmer	000 ⇔ 255	0–100%
17	Ring Dimmer	000 ⇔ 255	0–100%
18	Beam Dimmer	000 ⇔ 255	0–100%
19	Ring Shutter	000 ⇔ 019	Off
		020 ⇔ 024	On
		025 ⇔ 069	Strobe, fast to slow
		070 ⇔ 089	Strobe 100–0%, fast to slow
		090 ⇔ 109	Strobe 0–100%, fast to slow
		110 ⇔ 129	Random strobe, fast to slow
		130 ⇔ 149	Random strobe 100–0%, fast to slow
		150 ⇔ 169	Random strobe 0–100%, fast to slow
		170 ⇔ 189	Pulse strobe, fast to slow
		190 ⇔ 209	Random pulse strobe, fast to slow
		210 ⇔ 229	Strobe 0–100–0%, fast to slow
		230 ⇔ 244	Random pulse strobe, fast to slow
		245 ⇔ 255	On
20	Beam Shutter	000 ⇔ 019	Off
		020 ⇔ 024	On
		025 ⇔ 069	Strobe, fast to slow
		070 ⇔ 089	Strobe 100–0%, fast to slow
		090 ⇔ 109	Strobe 0–100%, fast to slow
		110 ⇔ 129	Random strobe, fast to slow
		130 ⇔ 149	Random strobe 100–0%, fast to slow
		150 ⇔ 169	Random strobe 0–100%, fast to slow
		170 ⇔ 189	Pulse strobe, fast to slow
		190 ⇔ 209	Random pulse strobe, fast to slow
		210 ⇔ 229	Strobe 0–100–0%, fast to slow
		230 ⇔ 244	Random pulse strobe, fast to slow
		245 ⇔ 255	On
21	Zoom	000 ⇔ 255	Wide to narrow
22	Control	000 ⇔ 009	No function
		010 ⇔ 014	Blackout on Pan/Tilt
		015 ⇔ 019	Reserved for future use
		020 ⇔ 024	RGBW (additive) color-mixing mode
		025 ⇔ 029	CMY (subtractive) color-mixing mode
		030 ⇔ 049	Reserved for future use
		050 ⇔ 054	Pan reset
		055 ⇔ 059	Tilt reset
		060 ⇔ 064	Zoom reset
		065 ⇔ 069	Reserved for future use
		070 ⇔ 074	Reset all
		075 ⇔ 109	Reserved for future use
		110 ⇔ 114	Fast Pan/Tilt speed
		115 ⇔ 119	Slow Pan/tilt speed
		120 ⇔ 124	Slow fan mode
		125 ⇔ 129	Full fan mode
		130 ⇔ 134	Auto fan mode
135 ⇔ 139	Fast dimmer mode		
140 ⇔ 144	Slow dimmer mode		
145 ⇔ 255	Reserved for future use		
23	Ring Red	000 ⇔ 255	0–100%

Operation

Channel	Function	Value	Percent/Setting
24	Beam Red	000 ⇔ 255	0–100%
25	Ring Green	000 ⇔ 255	0–100%
26	Beam Green	000 ⇔ 255	0–100%
27	Ring Blue	000 ⇔ 255	0–100%
28	Beam Blue	000 ⇔ 255	0–100%
29	Ring White	000 ⇔ 255	0–100%
30	Beam White	000 ⇔ 255	0–100%

Dual Control: Basic Movement Mode (13-channel)

Channel	Function	Value	Percent/Setting
1	Pan	000 ⇔ 255	0–100%
2	Pan Fine	000 ⇔ 255	0–100%
3	Tilt	000 ⇔ 255	0–100%
4	Tilt Fine	000 ⇔ 255	0–100%
5	Continuous Pan	000	No function
		001 ⇔ 127	Continuous pan, fast to slow
		128	No function
		129 ⇔ 255	Reverse continuous pan, slow to fast
6	Continuous Tilt	000	No function
		001 ⇔ 127	Continuous tilt, fast to slow
		128	No function
		129 ⇔ 255	Reverse continuous tilt, slow to fast
7	Pan/Tilt Speed	000 ⇔ 255	Fast to slow
8	Ring Dimmer	000 ⇔ 255	0–100%
9	Beam Dimmer	000 ⇔ 255	0–100%
10	Ring Shutter	000 ⇔ 019	Off
		020 ⇔ 024	On
		025 ⇔ 069	Strobe, fast to slow
		070 ⇔ 089	Strobe 100–0%, fast to slow
		090 ⇔ 109	Strobe 0–100%, fast to slow
		110 ⇔ 129	Random strobe, fast to slow
		130 ⇔ 149	Random strobe 100–0%, fast to slow
		150 ⇔ 169	Random strobe 0–100%, fast to slow
		170 ⇔ 189	Pulse strobe, fast to slow
		190 ⇔ 209	Random pulse strobe, fast to slow
		210 ⇔ 229	Strobe 0–100–0%, fast to slow
		230 ⇔ 244	Random pulse strobe, fast to slow
		245 ⇔ 255	On

Channel	Function	Value	Percent/Setting
11	Beam Shutter	000 ⇔ 019	Off
		020 ⇔ 024	On
		025 ⇔ 069	Strobe, fast to slow
		070 ⇔ 089	Strobe 100–0%, fast to slow
		090 ⇔ 109	Strobe 0–100%, fast to slow
		110 ⇔ 129	Random strobe, fast to slow
		130 ⇔ 149	Random strobe 100–0%, fast to slow
		150 ⇔ 169	Random strobe 0–100%, fast to slow
		170 ⇔ 189	Pulse strobe, fast to slow
		190 ⇔ 209	Random pulse strobe, fast to slow
		210 ⇔ 229	Strobe 0–100–0%, fast to slow
		230 ⇔ 244	Random pulse strobe, fast to slow
		245 ⇔ 255	On
12	Zoom	000 ⇔ 255	Wide to narrow
13	Control	000 ⇔ 009	No function
		010 ⇔ 014	Blackout on Pan/Tilt
		015 ⇔ 019	Reserved for future use
		020 ⇔ 024	RGBW (additive) color-mixing mode
		025 ⇔ 029	CMY (subtractive) color-mixing mode
		030 ⇔ 049	Reserved for future use
		050 ⇔ 054	Pan reset
		055 ⇔ 059	Tilt reset
		060 ⇔ 064	Zoom reset
		065 ⇔ 069	Reserved for future use
		070 ⇔ 074	Reset all
		075 ⇔ 109	Reserved for future use
		110 ⇔ 114	Fast Pan/Tilt speed
		115 ⇔ 119	Slow Pan/tilt speed
		120 ⇔ 124	Slow fan mode
		125 ⇔ 129	Full fan mode
		130 ⇔ 134	Auto fan mode
		135 ⇔ 139	Fast dimmer mode
		140 ⇔ 144	Slow dimmer mode
145 ⇔ 255	Reserved for future use		

Dual Control Pixels

Dual Control: Advanced Pixels Mode (80-channel)

Channel	Function	Value	Percent/Setting
1	Red 1	000 ⇔ 255	0–100%
2	Fine Red 1	000 ⇔ 255	0–100%
3	Green 1	000 ⇔ 255	0–100%
4	Fine Green 1	000 ⇔ 255	0–100%
5	Blue 1	000 ⇔ 255	0–100%
6	Fine Blue 1	000 ⇔ 255	0–100%
7	White 1	000 ⇔ 255	0–100%
8	Fine White 1	000 ⇔ 255	0–100%
9	Red 2	000 ⇔ 255	0–100%
10	Fine Red 2	000 ⇔ 255	0–100%
11	Green 2	000 ⇔ 255	0–100%
12	Fine Green 2	000 ⇔ 255	0–100%

Channel	Function	Value	Percent/Setting
13	Blue 2	000 ⇔ 255	0–100%
14	Fine Blue 2	000 ⇔ 255	0–100%
15	White 2	000 ⇔ 255	0–100%
16	Fine White 2	000 ⇔ 255	0–100%
17	Red 3	000 ⇔ 255	0–100%
18	Fine Red 3	000 ⇔ 255	0–100%
19	Green 3	000 ⇔ 255	0–100%
20	Fine Green 3	000 ⇔ 255	0–100%
21	Blue 3	000 ⇔ 255	0–100%
22	Fine Blue 3	000 ⇔ 255	0–100%
23	White 3	000 ⇔ 255	0–100%
24	Fine White 3	000 ⇔ 255	0–100%
25	Red 4	000 ⇔ 255	0–100%
26	Fine Red 4	000 ⇔ 255	0–100%
27	Green 4	000 ⇔ 255	0–100%
28	Fine Green 4	000 ⇔ 255	0–100%
29	Blue 4	000 ⇔ 255	0–100%
30	Fine Blue 4	000 ⇔ 255	0–100%
31	White 4	000 ⇔ 255	0–100%
32	Fine White 4	000 ⇔ 255	0–100%
33	Red 5	000 ⇔ 255	0–100%
34	Fine Red 5	000 ⇔ 255	0–100%
35	Green 5	000 ⇔ 255	0–100%
36	Fine Green 5	000 ⇔ 255	0–100%
37	Blue 5	000 ⇔ 255	0–100%
38	Fine Blue 5	000 ⇔ 255	0–100%
39	White 5	000 ⇔ 255	0–100%
40	Fine White 5	000 ⇔ 255	0–100%
41	Red 6	000 ⇔ 255	0–100%
42	Fine Red 6	000 ⇔ 255	0–100%
43	Green 6	000 ⇔ 255	0–100%
44	Fine Green 6	000 ⇔ 255	0–100%
45	Blue 6	000 ⇔ 255	0–100%
46	Fine Blue 6	000 ⇔ 255	0–100%
47	White 6	000 ⇔ 255	0–100%
48	Fine White 6	000 ⇔ 255	0–100%
49	Red 7	000 ⇔ 255	0–100%
50	Fine Red 7	000 ⇔ 255	0–100%
51	Green 7	000 ⇔ 255	0–100%
52	Fine Green 7	000 ⇔ 255	0–100%
53	Blue 7	000 ⇔ 255	0–100%
54	Fine Blue 7	000 ⇔ 255	0–100%
55	White 7	000 ⇔ 255	0–100%
56	Fine White 7	000 ⇔ 255	0–100%
57	Red 8	000 ⇔ 255	0–100%
58	Fine Red 8	000 ⇔ 255	0–100%
59	Green 8	000 ⇔ 255	0–100%
60	Fine Green 8	000 ⇔ 255	0–100%
61	Blue 8	000 ⇔ 255	0–100%
62	Fine Blue 8	000 ⇔ 255	0–100%
63	White 8	000 ⇔ 255	0–100%

Channel	Function	Value	Percent/Setting
64	Fine White 8	000 ⇔ 255	0–100%
65	Red 9	000 ⇔ 255	0–100%
66	Fine Red 9	000 ⇔ 255	0–100%
67	Green 9	000 ⇔ 255	0–100%
68	Fine Green 9	000 ⇔ 255	0–100%
69	Blue 9	000 ⇔ 255	0–100%
70	Fine Blue 9	000 ⇔ 255	0–100%
71	White 9	000 ⇔ 255	0–100%
72	Fine White 9	000 ⇔ 255	0–100%
73	Red 10	000 ⇔ 255	0–100%
74	Fine Red 10	000 ⇔ 255	0–100%
75	Green 10	000 ⇔ 255	0–100%
76	Fine Green 10	000 ⇔ 255	0–100%
77	Blue 10	000 ⇔ 255	0–100%
78	Fine Blue 10	000 ⇔ 255	0–100%
79	White 10	000 ⇔ 255	0–100%
80	Fine White 10	000 ⇔ 255	0–100%

Dual Control: Standard Pixels Mode (40-channel)

Channel	Function	Value	Percent/Setting
1	Red 1	000 ⇔ 255	0–100%
2	Green 1	000 ⇔ 255	0–100%
3	Blue 1	000 ⇔ 255	0–100%
4	White 1	000 ⇔ 255	0–100%
5	Red 2	000 ⇔ 255	0–100%
6	Green 2	000 ⇔ 255	0–100%
7	Blue 2	000 ⇔ 255	0–100%
8	White 2	000 ⇔ 255	0–100%
9	Red 3	000 ⇔ 255	0–100%
10	Green 3	000 ⇔ 255	0–100%
11	Blue 3	000 ⇔ 255	0–100%
12	White 3	000 ⇔ 255	0–100%
13	Red 4	000 ⇔ 255	0–100%
14	Green 4	000 ⇔ 255	0–100%
15	Blue 4	000 ⇔ 255	0–100%
16	White 4	000 ⇔ 255	0–100%
17	Red 5	000 ⇔ 255	0–100%
18	Green 5	000 ⇔ 255	0–100%
19	Blue 5	000 ⇔ 255	0–100%
20	White 5	000 ⇔ 255	0–100%
21	Red 6	000 ⇔ 255	0–100%
22	Green 6	000 ⇔ 255	0–100%
23	Blue 6	000 ⇔ 255	0–100%
24	White 6	000 ⇔ 255	0–100%
25	Red 7	000 ⇔ 255	0–100%
26	Green 7	000 ⇔ 255	0–100%
27	Blue 7	000 ⇔ 255	0–100%
28	White 7	000 ⇔ 255	0–100%
29	Red 8	000 ⇔ 255	0–100%
30	Green 8	000 ⇔ 255	0–100%

Channel	Function	Value	Percent/Setting
31	Blue 8	000 ⇄ 255	0–100%
32	White 8	000 ⇄ 255	0–100%
33	Red 9	000 ⇄ 255	0–100%
34	Green 9	000 ⇄ 255	0–100%
35	Blue 9	000 ⇄ 255	0–100%
36	White 9	000 ⇄ 255	0–100%
37	Red 10	000 ⇄ 255	0–100%
38	Green 10	000 ⇄ 255	0–100%
39	Blue 10	000 ⇄ 255	0–100%
40	White 10	000 ⇄ 255	0–100%

Dual Control: Basic Pixels Mode (30-channel)

Channel	Function	Value	Percent/Setting
1	Red 1	000 ⇄ 255	0–100%
2	Green 1	000 ⇄ 255	0–100%
3	Blue 1	000 ⇄ 255	0–100%
4	Red 2	000 ⇄ 255	0–100%
5	Green 2	000 ⇄ 255	0–100%
6	Blue 2	000 ⇄ 255	0–100%
7	Red 3	000 ⇄ 255	0–100%
8	Green 3	000 ⇄ 255	0–100%
9	Blue 3	000 ⇄ 255	0–100%
10	Red 4	000 ⇄ 255	0–100%
11	Green 4	000 ⇄ 255	0–100%
12	Blue 4	000 ⇄ 255	0–100%
13	Red 5	000 ⇄ 255	0–100%
14	Green 5	000 ⇄ 255	0–100%
15	Blue 5	000 ⇄ 255	0–100%
16	Red 6	000 ⇄ 255	0–100%
17	Green 6	000 ⇄ 255	0–100%
18	Blue 6	000 ⇄ 255	0–100%
19	Red 7	000 ⇄ 255	0–100%
20	Green 7	000 ⇄ 255	0–100%
21	Blue 7	000 ⇄ 255	0–100%
22	Red 8	000 ⇄ 255	0–100%
23	Green 8	000 ⇄ 255	0–100%
24	Blue 8	000 ⇄ 255	0–100%
25	Red 9	000 ⇄ 255	0–100%
26	Green 9	000 ⇄ 255	0–100%
27	Blue 9	000 ⇄ 255	0–100%
28	Red 10	000 ⇄ 255	0–100%
29	Green 10	000 ⇄ 255	0–100%
30	Blue 10	000 ⇄ 255	0–100%

Operating Settings Configuration

Home Screen

The Maverick MK Pyxis has a home screen that shows the current control protocols, personalities, starting addresses, IP addresses, and universes. To see the home screen, press **<MENU>** repeatedly until it shows on the display. From the home screen, touch any of the displayed control settings to immediately jump to that part of the menu, such as the personality or starting address, or press **<ENTER>** to reach the main menu.

Test Mode

Auto Test

To perform an auto test of the Maverick MK Pyxis functions, follow the instructions below:

1. Press **<MENU>** repeatedly until the [Home Screen](#) shows on the display. Press **<ENTER>**.
2. Use **<UP>**, **<DOWN>**, **<LEFT>**, or **<RIGHT>** to select **Test Mode**, or touch the display where it says **Test Mode**.
3. If using the buttons instead of the touchscreen, press **<ENTER>**.
4. Use **<UP>** or **<DOWN>** to select **Auto Test**, or touch the display where it says **Auto Test**.
5. Press **<ENTER>**.

Manual Test

To test the functions of the product manually, do the following:

1. Press **<MENU>** repeatedly until the [Home Screen](#) shows on the display. Press **<ENTER>**.
2. Use **<UP>**, **<DOWN>**, **<LEFT>**, or **<RIGHT>** to select **Test Mode**, or touch the display where it says **Test Mode**.
3. If using the buttons instead of the touchscreen, press **<ENTER>**.
4. Use **<UP>** or **<DOWN>** to select **Manual Test**, or touch the display where it says **Manual Test**.
5. If using the buttons instead of the touchscreen, press **<ENTER>**.
6. Use **<UP>** or **<DOWN>** to select the function to test, from **Pan, Tilt, P/S Speed, Red, Green, Blue, White, CTC, Color, Pattern, LED Macro, LED Ma. Speed, LED Ma. Fade, Background, Background Dim., Dimmer, Shutter, Function, or Zoom**, or touch the display where it says the desired function.
7. If using the buttons instead of the touchscreen, press **<ENTER>**.
8. Type the desired value using the number pad that shows on the touchscreen display, or use **<UP>**, **<RIGHT>**, **<DOWN>**, or **<LEFT>** to increase or decrease the value.
9. Press **<ENTER>**.

Setup

To reach the **Setup** menu, follow the instructions below:

1. Press **<MENU>** repeatedly until the [Home Screen](#) shows on the display. Press **<ENTER>**.
2. Use **<UP>**, **<DOWN>**, **<LEFT>**, or **<RIGHT>** to select **Setup**, or touch the display where it says **Setup**.
3. If using the buttons instead of the touchscreen, press **<ENTER>**.

Network Settings

To reach the Network Settings menu, do the following:

1. Navigate to the [Setup](#) menu.
2. Use **<UP>** or **<DOWN>** to select **Network Settings**, or touch the display where it says **Network Settings**.
3. If using the buttons instead of the touchscreen, press **<ENTER>**.

IP Mode

The IP address of the Maverick MK Pyxis can be set manually, by the network, or to a preset static address specific to each product. To set the IP Mode, follow the instructions below:

1. Navigate to the [Network Settings](#) menu.
2. Use **<UP>** or **<DOWN>** to select **IP Mode**, or touch the display where it says **IP Mode**.
3. If using the buttons instead of the touchscreen, press **<ENTER>**.
4. Use **<UP>**, **<DOWN>**, **<LEFT>**, or **<RIGHT>** to select from:
 - **Manual** (set the IP address with the control panel),
 - **DHCP** (the network sets the IP address), or
 - **Static** (a preset address specific to each product), or touch the display where it says the desired mode.
5. Press **<ENTER>**.

Operation

IP Address

In Manual IP Mode, the IP address must be assigned using the product menu. To set the IP address in Manual IP Mode, do the following:

1. Navigate to the [Network Settings](#) menu.
2. Use **<UP>** or **<DOWN>** to select **IP**, or touch the display where it says **IP**.
3. If using the buttons instead of the touchscreen, press **<ENTER>**.
4. Set the IP address (from **000.000.000.000** to **255.255.255.255**) with one of the following methods:
 - Using the touchscreen:
 - a. Touch the display where it shows the byte (set of three numbers) to be changed.
 - b. Use the number pad on the display to enter the desired number.
 - c. Repeat until the IP address is set as desired.
 - Using the buttons:
 - a. Use **<LEFT>** or **<RIGHT>** to select the byte (set of three numbers) to be changed).
 - b. Use **<UP>** or **<DOWN>** to increase or decrease the value.
 - c. Repeat until the IP address is set as desired.
5. Press **<ENTER>**.

Subnet Mask

In Manual IP Mode, the Subnet Mask must be assigned using the product menu. To set the Subnet Mask in Manual IP Mode, do the following:

1. Navigate to the [Network Settings](#) menu.
2. Use **<UP>** or **<DOWN>** to select **SubMask**, or touch the display where it says **SubMask**.
3. If using the buttons instead of the touchscreen, press **<ENTER>**.
4. Set the Subnet Mask (from **000.000.000.000** to **255.255.255.255**) with one of the following methods:
 - Using the touchscreen:
 - a. Touch the display where it shows the byte (set of three numbers) to be changed.
 - b. Use the number pad on the display to enter the desired number.
 - c. Repeat until the Subnet Mask is set as desired.
 - Using the buttons:
 - a. Use **<LEFT>** or **<RIGHT>** to select the byte (set of three numbers) to be changed).
 - b. Use **<UP>** or **<DOWN>** to increase or decrease the value.
 - c. Repeat until the Subnet Mask is set as desired.
5. Press **<ENTER>**.



In DHCP or Static IP Mode, the IP and SubMask menu settings have no effect on the product.

Pan/Tilt Orientation

To set whether the pan or tilt orientation is normal or inverted:

1. Navigate to the [Setup](#) menu.
2. Use **<UP>** or **<DOWN>** to select **Pan Reverse** or **Tilt Reverse**, or touch the display where it says the desired setting.
3. If using the buttons instead of the touchscreen, press **<ENTER>**.
4. Use **<UP>**, **<DOWN>**, **<LEFT>**, or **<RIGHT>** to select **NO** (normal orientation) or **YES** (inverted orientation), or touch the display where it says the desired option.
5. Press **<ENTER>**.

Zoom Orientation

To set whether the zoom goes from wide to narrow or from narrow to wide, follow the instructions below:

1. Navigate to the [Setup](#) menu.
2. Use **<UP>** or **<DOWN>** to select **Zoom Reverse**, or touch the display where it says **Zoom Reverse**.
3. If using the buttons instead of the touchscreen, press **<ENTER>**.
4. Use **<UP>**, **<DOWN>**, **<LEFT>**, or **<RIGHT>** to select **NO** (wide to narrow) or **YES** (narrow to wide) or touch the display where it says the desired option.
5. Press **<ENTER>**.

Display Orientation

To set which way the display faces, do the following:

1. Navigate to the [Setup](#) menu.
2. Use **<UP>** or **<DOWN>** to select **Screen Reverse**, or touch the display where it says **Screen Reverse**.
3. If using the buttons instead of the touchscreen, press **<ENTER>**.
4. Use **<UP>**, **<DOWN>**, **<LEFT>**, or **<RIGHT>** to select **NO** (display is normal), **YES** (display is inverted), or **AUTO** (the display automatically detects which way the product is facing and orients itself accordingly), or touch the display where it says the desired option.
5. Press **<ENTER>**.

Pan/Tilt Angle Range

To set the range of motion the pan or tilt is permitted:

1. Navigate to the [Setup](#) menu.
2. Use **<UP>** or **<DOWN>** to select **Pan Angle** or **Tilt Angle**, or touch the display where it says the desired setting.
3. If using the buttons instead of the touchscreen, press **<ENTER>**.
4. Use **<UP>**, **<DOWN>**, **<LEFT>**, or **<RIGHT>** to select **540** (540° pan), **360** or **270** (360° or 270° for pan or tilt respectively), **180** (180° pan or tilt), or **90** (90° tilt) or touch the display where it says the desired option.
5. Press **<ENTER>**.

Blackout on Pan/Tilt Movement

To set whether the product will black out during pan or tilt movement, follow the instructions below:

1. Navigate to the [Setup](#) menu.
2. Use **<UP>** or **<DOWN>** to select **BL. O. P/T Move**, or touch the display where it says **BL. O. P/T Move**.
3. If using the buttons instead of the touchscreen, press **<ENTER>**.
4. Use **<UP>**, **<DOWN>**, **<LEFT>**, or **<RIGHT>** to select **NO** (do not black out) or **YES** (black out during movement), or touch the display where it says the desired option.
5. Press **<ENTER>**.

Touchscreen Calibration

If the touchscreen is not responding correctly, it may need to be calibrated. To do so:

1. Navigate to the [Setup](#) menu.
2. Use **<UP>** or **<DOWN>** to select **Calibration**, or touch the display where it says **Calibration**.
3. If using the buttons instead of the touchscreen, press **<ENTER>**.
4. Use **<UP>**, **<DOWN>**, **<LEFT>**, or **<RIGHT>** to select **NO** (do not calibrate) or **YES** (calibrate), or touch the display where it says the desired option.
5. Press **<ENTER>**.
6. Follow the instructions, touching the points as they appear on the display.

Touchscreen Lock

To lock or unlock the touchscreen for the control panel, do the following:

1. Navigate to the [Setup](#) menu.
2. Use **<UP>** or **<DOWN>** to select **Touchscreen Lock**, or touch the display where it says **Touchscreen Lock**.
3. If using the buttons instead of the touchscreen, press **<ENTER>**.
4. Use **<UP>**, **<DOWN>**, **<LEFT>**, or **<RIGHT>** to select **NO** (display will respond to touch) or **YES** (display will not respond to touch), or touch the display where it says the desired option.
5. Press **<ENTER>**.

Operation

Lock Screen

To completely lock or unlock the control panel, follow the instructions below:

1. Navigate to the [Setup](#) menu.
2. Use **<UP>** or **<DOWN>** to select **Lock Screen**, or touch the display where it says **Lock Screen**.
3. If using the buttons instead of the touchscreen, press **<ENTER>**.
4. Use **<UP>**, **<DOWN>**, **<LEFT>**, or **<RIGHT>** to select **NO** (control panel will not lock) or **YES** (control panel will require a passcode to access), or touch the display where it says the desired option.
5. Press **<ENTER>**.

To access the control panel when it has been locked:

1. Press **<MENU>**.
2. Enter the passcode **0920** using one of the following methods:
 - Using the touchscreen: enter **0920** on the number pad on the screen.
 - Using the buttons:
 - a. Use **<DOWN>** to select the number to be changed.
 - b. Use **<UP>** to increase the value.
 - c. Repeat until **0920** has been entered.
3. Press **<ENTER>**.

Swap Pan and Tilt

To switch the pan and tilt functions, do the following:

1. Navigate to the [Setup](#) menu.
2. Use **<UP>** or **<DOWN>** to select **Swap XY**, or touch the display where it says **Swap XY**.
3. If using the buttons instead of the touchscreen, press **<ENTER>**.
4. Use **<UP>**, **<DOWN>**, **<LEFT>**, or **<RIGHT>** to select **NO** (normal pan and tilt) or **YES** (pan controls tilt, tilt controls pan), or touch the display where it says the desired option.
5. Press **<ENTER>**.

WDMX Reset

To reset the WDMX connection from the Maverick MK Pyxis, do the following:

1. Navigate to the [Setup](#) menu.
2. Use **<UP>** or **<DOWN>** to select **WDMX Reset**, or touch the display where it says **WDMX Reset**.
3. If using the buttons instead of the touchscreen, press **<ENTER>**.
4. Use **<UP>**, **<DOWN>**, **<LEFT>**, or **<RIGHT>** to select **NO** (do not reset connection) or **YES** (reset the connection), or touch the display where it says the desired option.
5. Press **<ENTER>**.

Backlight Timer

To set the amount of time after inactivity before the display backlight turns off:

1. Navigate to the [Setup](#) menu.
2. Use **<UP>** or **<DOWN>** to select **Backlight Timer**, or touch the display where it says **Backlight Timer**.
3. If using the buttons instead of the touchscreen, press **<ENTER>**.
4. Use **<UP>**, **<DOWN>**, **<LEFT>**, or **<RIGHT>** to select **30S** (after 30 seconds of inactivity), **1M** (after 1 minute of inactivity), **5M** (after 5 minutes of inactivity), or **ON** (does not turn off), or touch the display where it says the desired option.
5. Press **<ENTER>**.

Loss of Data

In case of any loss of input signal, the Maverick MK Pyxis will respond in one of two ways: The product will either hold the last signal received, or black out all LED output.

To set which way the product responds, follow the instructions below:

1. Navigate to the [Setup](#) menu.
2. Use **<UP>** or **<DOWN>** to select **Loss of Data**, or touch the display where it says **Loss of Data**.
3. If using the buttons instead of the touchscreen, press **<ENTER>**.
4. Use **<UP>**, **<DOWN>**, **<LEFT>**, or **<RIGHT>** to select **Hold** (hold last signal received) or **Close** (black out all LED output), or touch the display where it says the desired option.
5. Press **<ENTER>**.

Fan Speed

To set the speed of the fans, do the following:

1. Navigate to the [Setup](#) menu.
2. Use **<UP>** or **<DOWN>** to select **Fans**, or touch the display where it says **Fans**.
3. If using the buttons instead of the touchscreen, press **<ENTER>**.
4. Use **<UP>**, **<DOWN>**, **<LEFT>**, or **<RIGHT>** to select **Auto** (fan speed set according to product temperature), **Full** (maximum speed), or **ECO** (quiet fans mode), or touch the display where it says the desired option.
5. Press **<ENTER>**.

Color-Mixing Mode

The Maverick MK Pyxis has a mode that emulates CMY (cyan, magenta, and yellow) color mixing. In this mode, the dimming is reversed (000=100%, 255=0%), and the red, green, and blue channels control cyan, magenta, and yellow, respectively.

To set the color-mixing mode:

1. Navigate to the [Setup](#) menu.
2. Use **<UP>** or **<DOWN>** to select **C Mixing Mode**, or touch the display where it says **C Mixing Mode**.
3. If using the buttons instead of the touchscreen, press **<ENTER>**.
4. Use **<UP>**, **<DOWN>**, **<LEFT>**, or **<RIGHT>** to select **RGBW** (additive mode, 0–100%), or **CMY** (subtractive mode: 100–0%), or touch the display where it says the desired option.
5. Press **<ENTER>**.

Dimmer Curve

To set the dimmer curve, follow the instructions below:

1. Navigate to the [Setup](#) menu.
2. Use **<UP>** or **<DOWN>** to select **Dimmer Curve**, or touch the display where it says **Dimmer Curve**.
3. If using the buttons instead of the touchscreen, press **<ENTER>**.
4. Use **<UP>**, **<DOWN>**, **<LEFT>**, or **<RIGHT>** to select **Linear**, **Square**, **I Squa**, or **SCurve**, or touch the display where it says the desired option.
5. Press **<ENTER>**.

Dimmer Speed

To set the dimmer speed, do the following:

1. Navigate to the [Setup](#) menu.
2. Use **<UP>** or **<DOWN>** to select **Dimmer Speed**, or touch the display where it says **Dimmer Speed**.
3. If using the buttons instead of the touchscreen, press **<ENTER>**.
4. Use **<UP>**, **<DOWN>**, **<LEFT>**, or **<RIGHT>** to select **Smooth** or **Fast**, or touch the display where it says the desired option.
5. Press **<ENTER>**.

Pulse Width Modulation

To set the PWM frequency, follow the instructions below:

1. Navigate to the [Setup](#) menu.
2. Use **<UP>** or **<DOWN>** to select **PWM Option**, or touch the display where it says **PWM Option**.
3. If using the buttons instead of the touchscreen, press **<ENTER>**.
4. Use **<UP>**, **<DOWN>**, **<LEFT>**, or **<RIGHT>** to select the PWM frequency, from **600Hz**, **1200Hz**, **2000Hz**, **4000Hz**, **6000Hz**, or **15000Hz**, or touch the display where it says the desired option.
5. Press **<ENTER>**.

Operation

Color Balance

To set the maximum values of a given color in the mix, do the following:

1. Navigate to the [Setup](#) menu.
2. Use **<UP>** or **<DOWN>** to select **Color Balance**, or touch the display where it says **Color Balance**.
3. If using the buttons instead of the touchscreen, press **<ENTER>**.
4. Use **<UP>** or **<DOWN>**, to select the color value to be changed, from **Red**, **Green**, **Blue**, or **White**, or touch the display where it says the desired option.
5. If using the buttons instead of the touchscreen, press **<ENTER>**.
6. Type the desired value using the number pad that shows on the touchscreen display, or use **<UP>**, **<RIGHT>**, **<DOWN>**, or **<LEFT>** to increase or decrease the value, from **000–255**.
7. Press **<ENTER>**.
8. Repeat steps 4–7 until the color balance is set as desired.

Preset Functions

The Maverick MK Pyxis has three presets. Every time a setting is changed in the Maverick MK Pyxis, the current preset is updated to include that change. To load a preset, follow the instructions below:

1. Navigate to the [Setup](#) menu.
2. Use **<UP>** or **<DOWN>** to select **Preset Select**, or touch the display where it says **Preset Select**.
3. If using the buttons instead of the touchscreen, press **<ENTER>**.
4. Use **<UP>** or **<DOWN>**, to select the preset to load, from **PRESET A**, **PRESET B**, or **PRESET C**, or touch the display where it says the desired option.
5. If using the buttons instead of the touchscreen, press **<ENTER>**.
6. The selected preset will load, and all changes made to settings will save to that preset.

Presets can be uploaded to other Maverick MK Pyxis products using a DMX connection. To do so:

1. Connect the DMX Out of the product that has the desired presets to the DMX In of the product to be updated.
2. Power on both products.
3. On the product with the desired presets, navigate to the [Setup](#) menu.
4. Use **<UP>** or **<DOWN>** to select **Preset Sync**, or touch the display where it says **Preset Sync**.
5. If using the buttons instead of the touchscreen, press **<ENTER>**.
6. Use **<UP>** or **<DOWN>**, to select from **NO** (do not upload settings) or **YES** (upload settings), or touch the display where it says the desired option.
7. If using the buttons instead of the touchscreen, press **<ENTER>**.

Reset Functions

To reset the pan, tilt, or all functions as if from startup:

1. Navigate to the [Setup](#) menu.
2. Use **<UP>** or **<DOWN>** to select **Reset Function**, or touch the display where it says **Reset Function**.
3. If using the buttons instead of the touchscreen, press **<ENTER>**.
4. Use **<UP>** or **<DOWN>** to select the function to reset, from **Pan/Tilt**, **Zoom**, or **All**, or touch the display where it says the desired option.
5. If using the buttons instead of the touchscreen, press **<ENTER>**.
6. Use **<UP>**, **<DOWN>**, **<LEFT>**, or **<RIGHT>** to select from **NO** (do not reset) or **YES** (reset), or touch the display where it says the desired option.
7. Press **<ENTER>**.

Factory Reset

To restore the Maverick MK Pyxis to factory default settings, do the following:

1. Navigate to the [Setup](#) menu.
2. Use **<UP>** or **<DOWN>** to select **Factory Settings**, or touch the display where it says **Factory Settings**.
3. If using the buttons instead of the touchscreen, press **<ENTER>**.
4. Use **<UP>**, **<DOWN>**, **<LEFT>**, or **<RIGHT>** to select **NO** (do not reset) or **YES** (reset to factory settings), or touch the display where it says the desired option.
5. Press **<ENTER>**.

System Information

All information about the current status of the Maverick MK Pyxis is available through the product's **Sys Info** menu. To view this information, follow the instructions below:

1. Press **<MENU>** repeatedly until the [Home Screen](#) shows on the display. Press **<ENTER>**.
2. Use **<UP>**, **<DOWN>**, **<LEFT>**, or **<RIGHT>** to select **Sys Info**, or touch the display where it says **Sys Info**.
3. If using the buttons instead of the touchscreen, press **<ENTER>**.
4. Use **<UP>** or **<DOWN>** to select from **Fixture Information** (shows firmware version, running mode, starting address, etc.), **Fan Information** (shows speed of the head fans in rpm), **Error Information** (shows any errors or **No Error!**), or **Channel Information** (shows the current value of all signal input channels), or touch the display where it says the desired option.
5. Press **<ENTER>**.
6. Use **<UP>** or **<DOWN>** to scroll through the information.

Offset Mode

The Offset mode provides fine adjustments for the home position of all the moving parts in the optical path, and the pan and tilt movements. This ensures that the moving parts do not show any border or reduce the light output when in their home position.

1. Starting from the Main Level screen, press and hold **<MENU>** until the passcode screen appears.
2. Enter the passcode **2323** using one of the following methods:
 - Using the touchscreen: enter **2323** on the number pad on the screen.
 - Using the buttons:
 - a. Use **<DOWN>** to select the number to be changed.
 - b. Use **<UP>** to increase the value.
 - c. Repeat until **2323** has been entered.
3. Press **<ENTER>**.

This directs the user to the Zero Adjust menu screen.

PAN

To adjust the starting point of the pan motor, follow the instructions below:

1. Use **<UP>** or **<DOWN>** to select **PAN**.
2. Press **<ENTER>**.
3. Use **<UP>** or **<DOWN>** to increase or decrease the starting value, from **000–255**.
4. Press **<ENTER>**.

TILT

To adjust the starting point of the tilt motor, do the following:

1. Use **<UP>** or **<DOWN>** to select **TILT**.
2. Press **<ENTER>**.
3. Use **<UP>** or **<DOWN>** to increase or decrease the starting value, from **000–255**.
4. Press **<ENTER>**.

ZOOM

To adjust the starting point of the zoom motor, follow the instructions below:

1. Use **<UP>** or **<DOWN>** to select **ZOOM**.
2. Press **<ENTER>**.
3. Use **<UP>** or **<DOWN>** to increase or decrease the starting value, from **000–255**.
4. Press **<ENTER>**.

MAC Address

To adjust the fourth, fifth, or sixth digit of the MAC address, do the following:

1. Use **<UP>** or **<DOWN>** to select **MAC4**, **MAC5**, or **MAC6**.
2. Press **<ENTER>**.
3. Use **<UP>** or **<DOWN>** to increase or decrease the value, from **000–255**.
4. Press **<ENTER>**.

Operation

Web Server

The Maverick MK Pyxis Web Server can be accessed by any computer on the same network as the product. It allows network access to system information and settings, such as control setup, manual testing of all functions, firmware updates, and the ability to change the Web Server password.

1. Connect the product to power, and set the Control [Protocol](#) to **Art-Net** and the [IP Mode](#) to **Static**.
2. Connect the product to a Windows® computer with a network cable.
3. On the computer, set the IP address of the new network to have the same first 3 digits as the IP address of the product (See [IP Address](#)).
4. Enter the IP address of the product into the URL bar of a Web browser on the computer.
5. Enter both the User Name and Password as **admin** to log in.

Information

The Information page on the Web Server displays the current settings and the system information of the Maverick MK Pyxis.

Setup

The Setup page on the Web Server provides options for control, similar to the **Setup** menu on the product. Click **Save Settings** to send the new configuration to the product.

Manual Test

The Manual Test page on the Web Server allows all output functions of the product to be controlled using the browser. To set all functions back to default, click **Reset**.

Firmware Update

The Upgrade page on the Web Server allows the product to be updated with the latest firmware. Go to <https://www.chauvetprofessional.com/products/maverick-mk3-wash> to download firmware updates.

Security

The Security page on the Web Server gives the option to change the password to the connected product's Web server. Enter the old password (**admin**, by default) and the new password twice, then click **Save Settings** to change the password.

5. Technical Information

Product Maintenance

To maintain optimum performance and minimize wear, clean this product frequently. Usage and environment are contributing factors in determining the cleaning frequency.

Clean this product at least twice a month. Dust build-up reduces light output performance and can cause overheating. This can lead to reduced light source life and increased mechanical wear.

To clean the product:

1. Unplug the product from power.
2. Wait until the product is at room temperature.
3. Use a vacuum (or dry compressed air) and a soft brush to remove dust collected on the external vents.
4. Clean all transparent surfaces with a mild soap solution, ammonia-free glass cleaner, or isopropyl alcohol.
5. Apply the solution directly to a soft, lint-free cotton cloth or a lens-cleaning tissue.
6. Softly drag any dirt or grime to the outside of the transparent surface.
7. Gently polish the transparent surfaces until they are free of haze and lint.



Always dry the transparent surfaces carefully after cleaning them.



Avoid spinning the cooling fans using compressed air to prevent damage.

Technical Specifications

6. Technical Specifications

Dimensions and Weight

Length	Width	Height	Weight
12.20 in (310 mm)	8.85 in (225 mm)	18 in (459 mm)	31.96 lb (14.5 kg)

Note: Dimensions in inches rounded to the nearest decimal digit.

Power

Power Supply Type	Range			Voltage Selection	
Switching (internal)	100 to 240 VAC, 50/60 Hz			Auto-ranging	
Parameter	100 V, 60 Hz	120 V, 60 Hz	208 V, 60 Hz	230 V, 50 Hz	240 V, 50 Hz
Consumption	330 W	325 W	322 W	321 W	321 W
Operating current	3.348 A	2.726 A	1.546 A	1.395 A	1.343 A
Power linking current (products)	12 A (3 products)	12 A (4 products)	12 A (7 products)	12 A (8 products)	12 A (8 products)
Fuse/Breaker	F 5 A, 250 V	F 5 A, 250 V	F 5 A, 250 V	F 5 A, 250 V	F 5 A, 250 V
Power I/O	U.S./Worldwide		UK/Europe		
Power input connector	Seetronic Powerkon IP65		Seetronic Powerkon IP65		
Power output connector	Seetronic Powerkon IP65		Seetronic Powerkon IP65		
Power cable plug	Edison (U.S.)		Local plug		

Light Source

Type	Color	Quantity	Power	Current	Lifespan
LED	Quad-color	9	15 W	1.29 A	50,000 hours
	RGBW	1	60 W	4.5 A	

Photometrics

Beam Angle (Total)	Beam Angle (Outer Ring)	Beam Angle (Beam)	Field Angle (Total)	Field Angle (Outer Ring)	Field Angle (Beam)
2.8°	4.9° to 32°	2.7°	6.7°	7.9° to 47.8°	4.5°
Cutoff Angle	Zoom Range	Illuminance @ 5 m (Ring 7.9°)	Illuminance @ 5 m (Ring 47.8°)	Illuminance @ 5 m (Beam)	Illuminance @ 5 m (Total)
8.3° to 58.4°	4.9° to 58.4°	4,724 lux	437 lux	19,306 lux	11,267 lux

DMX

I/O Connector	Channel Range (Single Control)	Channel Range (Dual Control Movement)	Channel Range (Dual Control Pixels)
3- and 5-pin XLR	26, 66, 113, or 131	13, 30, or 41	30, 40, or 80

Art-Net™/sACN

I/O Connector	Channel Range (Single Control)	Channel Range (Dual Control Movement)	Channel Range (Dual Control Pixels)
Amphenol XLRnet	26, 66, 113, or 131	13, 30, or 41	30, 40, or 80

ArKaos Kling-Net

I/O Connector	Channel Range
Amphenol XLRnet	Determined per ArKaos MediaMaster software

Thermal

Maximum External Temperature	Cooling System
113 °F (45 °C)	Fan-assisted Convection

Ordering

Product Name	Item Name	Item Code	UPC Number
Maverick MK Pyxis	MAVERICKMKPYXIS	08011320	781462216689



UL 1573
CSA C22.2 No. 166
E113093



RoHS



Returns

Send the product prepaid, in the original box, and with the original packing and accessories. Chauvet will not issue call tags.

Call Chauvet and request a Return Merchandise Authorization (RMA) number before shipping the product. Be prepared to provide the model number, serial number, and a brief description of the cause(s) for the return.

To submit a service request online, go to www.chauvetprofessional.com/service-request.

Clearly label the package with an RMA number. Chauvet will refuse any product returned without an RMA number.



Write the RMA number on a properly affixed label. DO NOT write the RMA number directly on the box.

Once you have the RMA number, provide the following information on a piece of paper and place it inside the box:

- Your name
- Your address
- Your phone number
- RMA number
- A brief description of the problem

Be sure to pack the product properly. Any shipping damage resulting from inadequate packaging will be your responsibility. FedEx packing or double-boxing are recommended.



Chauvet reserves the right to use its own discretion to repair or replace returned product(s).

Contact Us

General Information	Technical Support
Chauvet World Headquarters	
Address: 5200 NW 108th Ave. Sunrise, FL 33351 Voice: (954) 577-4455 Fax: (954) 929-5560 Toll Free: (800) 762-1084	Voice: (844) 393-7575 Fax: (954) 756-8015 Email: chauvetcs@chauvetlighting.com Website: www.chauvetprofessional.com
Chauvet U.K.	
Address: Unit 1C Brookhill Road Industrial Estate Pinxton, Nottingham, UK NG16 6NT Voice: +44 (0) 1773 511115 Fax: +44 (0) 1773 511110	Email: UKtech@chauvetlighting.eu Website: www.chauvetprofessional.eu
Chauvet Benelux	
Address: Stokstraat 18 9770 Kruishoutem Belgium Voice: +32 9 388 93 97	Email: BNLtech@chauvetlighting.eu Website: www.chauvetprofessional.eu
Chauvet France	
Address: 3, Rue Ampère 91380 Chilly-Mazarin France Voice: +33 1 78 85 33 59	Email: FRtech@chauvetlighting.fr Website: www.chauvetprofessional.eu
Chauvet Germany	
Address: Bruno-Bürgerl-Str. 11 28759 Bremen Germany Voice: +49 421 62 60 20	Email: DEtech@chauvetlighting.de Website: www.chauvetprofessional.eu
Chauvet Mexico	
Address: Av. de las Partidas 34 - 3B (Entrance by Calle 2) Zona Industrial Lerma Lerma, Edo. de México, CP 52000 Voice: +52 (728) 690-2010	Email: servicio@chauvet.com.mx Website: www.chauvetprofessional.mx

Visit the applicable website above to verify our contact information and instructions to request support. Outside the U.S., U.K., Ireland, France, Germany, Mexico or Benelux, contact the dealer of record.