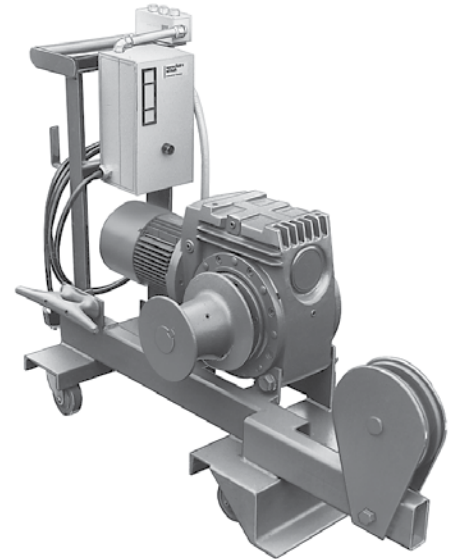


# Capstan Hoist

- Mobile capstan hoists are used to pull out-of-balance counterweight arbors down for loading
- Fully self contained, the hoist has an integral motor, brake, capstan drum, starter and controls
- Foot switch allows use of both hands to manage the hauling line
- The base has fixed and swivel casters for easy positioning, and a front lip to engage a reaction bar in the locking rail or floor. Reaction rail provided separately.
- Hoists include 150' (45.75 m) of 3/4" (19 mm) SureGrip® rope with a forged safety hook
- Supplied with 40' (12 m) of power cord with NEMA L15-20P plug

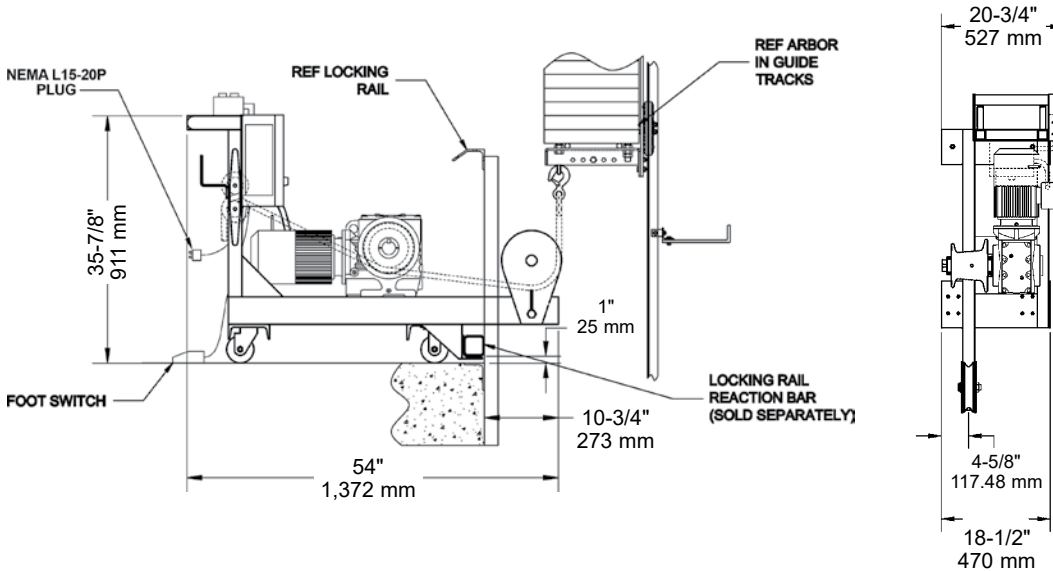
## Power Requirements

Model	Voltage	Full Load Amps
3 Phase 60 Hz	208	6.3
3 Phase 60 Hz	230	5.7
3 Phase 60 Hz	460	2.85
3 Phase 50 Hz	380	3.3



Mobile Capstan Hoist  
018-416

## Dimensions



## Order Information

Number	Description	Weight
018-416	Mobile Capstan Hoist 1500 lb (680 kg), 35 fpm (0.178 m/s)	400 lb (181 kg)

### MUSIC EDUCATION AND PERFORMING ARTS

Owatonna Office: Phone 800.4WENGER (493-6437) Worldwide +1.507.455.4100 | Parts & Service 800.887.7145 | wengercorp.com  
555 Park Drive, PO Box 448 | Owatonna | MN 55060-0448

Syracuse Office: Phone 800.836.1885 Worldwide +1.315.451.3440 | jrclancy.com | 7041 Interstate Island Road | Syracuse | NY 13209-9713

ATHLETICS Phone 800.493.6437 | email gearboss@wengercorp.com | gearboss.com | 555 Park Drive, PO Box 448 | Owatonna | MN 55060-0448