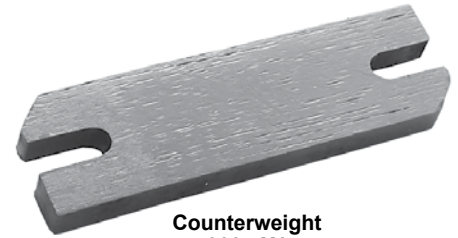


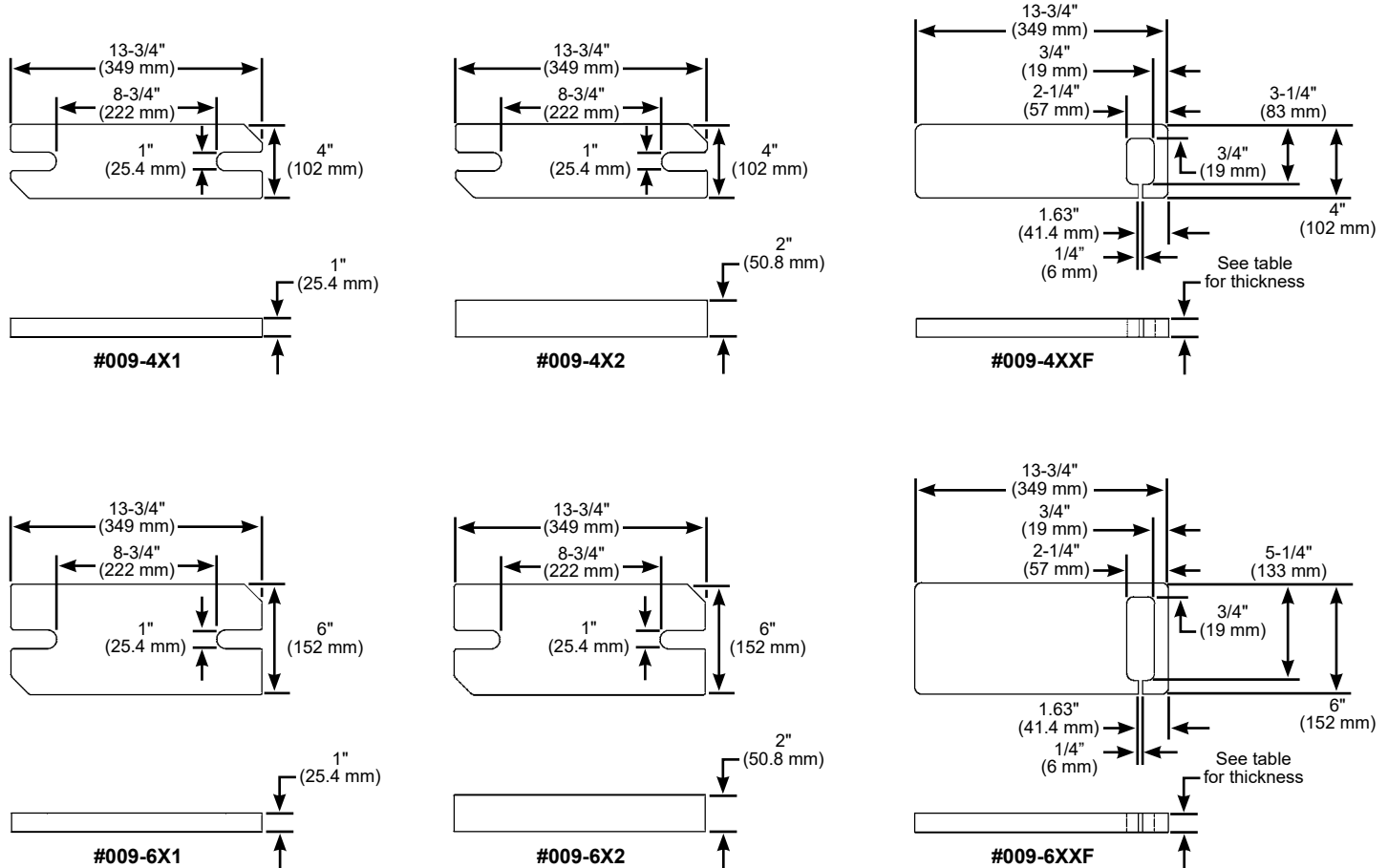
Counterweights

- Used in arbors to counterbalance the weight of the batten and scenery or lights.
- Weights are flame-cut steel.
- Opposite corners have 45° notches to provide finger grips.
- 13-3/4" (349 mm) length, with slotted ends for 3/4" (19 mm) diameter arbor rods spaced on 10" (254 mm) centers.
- Sold in 1000 lbs. (454 kg) pallets.
- Actual weight can vary by ± 20% from the nominal weight.



Counterweight
009-4X1

Dimensions



Order Information

Number	Width	Nominal Thickness	Nominal Weight	Number	Width	Nominal Thickness	Nominal Weight
009-4X1	4" (102 mm)	1" (25 mm)	14 lb (6 kg)	009-6X1	6" (152 mm)	1" (25 mm)	22 lb (10 kg)
009-4X2	4" (102 mm)	2" (51 mm)	28 lb (13 kg)	009-6X2	6" (152 mm)	2" (51 mm)	43 lb (19.5 kg)
009-4X0.5F	4" (102 mm)	1/2" (13 mm)	7 lb (3 kg)	009-6X0.5F	6" (152 mm)	1/2" (13 mm)	11 lb (5 kg)
009-4X1F	4" (102 mm)	1" (25 mm)	15 lb (7 kg)	009-6X1F	6" (152 mm)	1" (25 mm)	22 lb (10 kg)
009-4X1.5F	4" (102 mm)	1-1/2" (38 mm)	22 lb (10 kg)	009-6X1.5F	6" (152 mm)	1-1/2" (38 mm)	32 lb (14.5 kg)



© 2018 Wenger Corporation
USA/2018-08/W



WENGER CORPORATION Phone 800.4WENGER (493-6437) Worldwide +1.507.455.4100 | Parts & Service 800.887.7145 | Canada Office 800.268.0148 | wengercorp.com
555 Park Drive, PO Box 448 | Owatonna MN 55060-0448

JR CLANCY Phone 800.836.1885 Worldwide +1.315.451.3440 | jrclancy.com | 7041 Interstate Island Road | Syracuse NY 13209-9713

GEARBOSS Phone 800.493.6437 | email gearboss@wengercorp.com | gearboss.com | 555 Park Drive, PO Box 448 | Owatonna MN 55060-0448