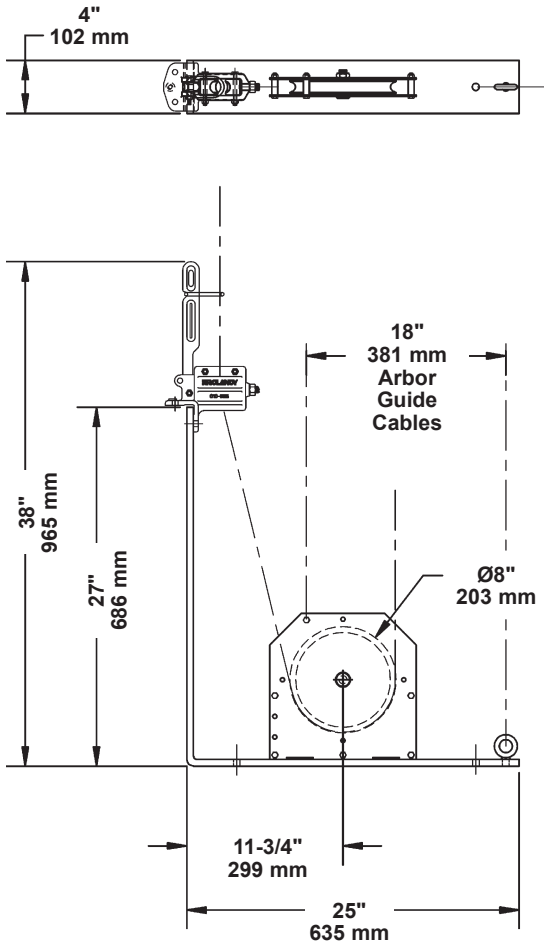


Fixed Combination Floor Blocks

- Used with individual wire-guided, J-Guide, or T-Bar sets.
- Economical, fixed floor block for use on sets with limited travel.
- Rope lock (010-533R) and floor block in a single unit.
- 8" (203 mm) diameter nylon sheave or ASTM Class 30 grey iron sheave, grooved for 3/4" (19 mm) rope.
- Sealed precision 17 mm (.67") ball bearings.
- Incorporates tie off points for guide wires.

Dimensions



Fixed Combination Floor Block
600-10818C75

Order Information

Number	Sheave Diameter	Sheave Material	Weight
600-10818C75	8" (203 mm)	Cast Iron	49 lbs. (22.2 kg)
600-10818N75	12" (305 mm)	Nylon	46 lbs. (20.9 kg)



© 2017 Wenger Corporation
USA/2017-12/W

