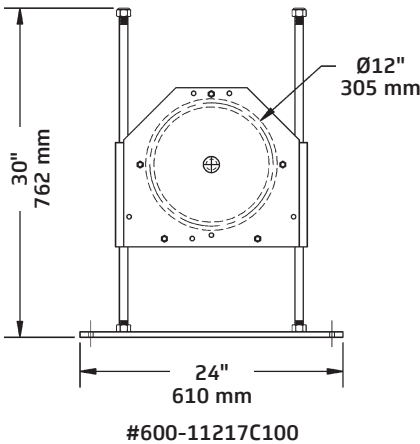
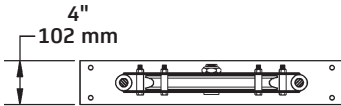


Sliding Tension Floor Blocks

- Used with manual fire curtains to provide proper tension in the hand line
- 12" (305 mm) diameter ASTM Class 30 grey iron sheave with machined groove for 3/4" (19 mm) or 1" (25 mm) rope
- Tapered roller bearings
- Sheave "floats" on two 3/4" (19 mm) diameter rods
- Three-year warranty against defects in materials or workmanship is provided on all J.R. Clancy equipment, additional warranty information is available at jrclancy.com

Dimensions



Order Information

Number	Sheave Diameter	Groove	Weight
600-11217C75	12" (305 mm)	3/4" (19 mm)	40 lb (18.1 kg)
600-11217C100	12" (305 mm)	1" (25 mm)	40 lb (18.1 kg)

