

# MAVERICK FORCE

## 2 PROFILE

### User Manual



Model ID: MAVERICKFORCE2PROFILE

**CHAUVET**  
PROFESSIONAL

## **Edition Notes**

The Maverick Force 2 Profile User Manual includes a description, safety precautions, installation, programming, operation and maintenance instructions for the Maverick Force 2 Profile as of the release date of this edition.

## **Trademarks**

Chauvet, Chauvet Professional, the Chauvet logo, Maverick, and Maverick Force are registered trademarks or trademarks of Chauvet & Sons, LLC (d/b/a Chauvet and Chauvet Lighting) in the United States and other countries. Other company and product names and logos referred to herein may be trademarks of their respective companies.

## **Copyright Notice**

The works of authorship contained in this manual, including, but not limited to, all designs, text and images are owned by Chauvet.

© **Copyright 2023 Chauvet & Sons, LLC. All rights reserved.**

Electronically published by Chauvet in the United States of America.

## **Manual Use**

Chauvet authorizes its customers to download and print this manual for professional information purposes only. Chauvet expressly prohibits the usage, copy, storage, distribution, modification, or printing of this manual or its content for any other purpose without written consent from Chauvet.

## **Document Printing**

For best results, print this document in color, on letter size paper (8.5 x 11 in), double-sided. If using A4 paper (210 x 297 mm), configure the printer to scale the content accordingly.

## **Intended Audience**

Any person installing, operating, and/or maintaining this product should completely read through the guide that shipped with the product, as well as this manual, before installing, operating, or maintaining this product.

## **Disclaimer**

Chauvet believes that the information contained in this manual is accurate in all respects. However, Chauvet assumes no responsibility and specifically disclaims any and all liability to any party for any loss, damage or disruption caused by any errors or omissions in this document, whether such errors or omissions result from negligence, accident or any other cause. Chauvet reserves the right to revise the content of this document without any obligation to notify any person or company of such revision, however, Chauvet has no obligation to make, and does not commit to make, any such revisions. Download the latest version from [www.chauvetprofessional.com](http://www.chauvetprofessional.com).

## **Document Revision**

This Maverick Force 2 Profile User Manual is the 5<sup>th</sup> edition of this document. Go to [www.chauvetprofessional.com](http://www.chauvetprofessional.com) for the latest version.

## TABLE OF CONTENTS

<b>1. Before You Begin</b> .....	1
What Is Included .....	1
Claims.....	1
Text Conventions.....	1
Symbols.....	1
FCC Statement of Compliance.....	2
RF Exposure Warning for North America, and Australia .....	2
Safety Notes .....	2
Expected LED Lifespan .....	3
<b>2. Introduction</b> .....	4
Description.....	4
Features .....	4
Product Overview .....	4
Product Dimensions .....	5
<b>3. Setup</b> .....	6
AC Power .....	6
AC Plug.....	6
Fuse Replacement.....	6
Remote Device Management (RDM) .....	6
USB Software Update .....	6
Mounting.....	7
Orientation .....	7
Rigging.....	7
Procedure .....	7
Signal Connections.....	8
Control Personalities.....	8
DMX Linking .....	8
Art-Net™ Connection.....	8
sACN Connection .....	8
Connection Diagram .....	8
<b>4. Operation</b> .....	9
Touchscreen Control Panel .....	9
Control Panel Description .....	9
Battery Powered Display .....	9
Home Screen.....	9
Control Panel Lock .....	9
Passcode.....	9
Technician Mode .....	9
Menu Map.....	10
Configuration (DMX, Art-Net™, sACN) .....	15
Control Mode .....	15
Control Personalities.....	15
Starting Address .....	15

Network Setup .....	15
IP Mode .....	15
Universe .....	15
Manual IP Address .....	15
Subnet Mask .....	15
Control Channel Assignments and Values .....	16
Configuration (Settings) .....	20
Pan Reverse .....	20
Tilt Reverse .....	20
Screen Reverse .....	20
Pan Angle .....	20
Tilt Angle .....	20
Blackout on Movement .....	20
Touchscreen Calibration .....	20
Touchscreen Lock .....	20
Swap Pan and Tilt .....	20
WDMX Reset .....	21
Display Backlight Timer .....	21
Loss of Data .....	21
Fan Mode .....	21
Dimmer Curve .....	21
Pulse Width Modulation .....	21
LED Power .....	21
Minimum Zoom Focus .....	21
Preset Selection .....	22
Preset Synchronization .....	22
USB Update .....	22
Reset Function .....	22
Factory Reset .....	22
Test Mode .....	23
Auto Test .....	23
Manual Test .....	23
System Information .....	23
Offset Mode (Zero Adjust) .....	23
Web Server .....	24
Gobo Wheels .....	25
Gobo Dimensions .....	25
Gobo Replacement .....	26
<b>5. Maintenance .....</b>	<b>27</b>
Product Maintenance .....	27
<b>6. Technical Specifications .....</b>	<b>28</b>
<b>Contact Us .....</b>	<b>29</b>
Warranty & Returns .....	29

## Before You Begin

# 1. Before You Begin

## What Is Included

- Maverick Force 2 Profile
- Seetronic Powerkon IP65 power cable
- Omega Brackets with Mounting Hardware
- Quick Reference Guide

## Claims

Carefully unpack the product immediately and check the container to make sure all the parts are in the package and are in good condition.




If the box or the contents (the product and included accessories) appear damaged from shipping, or show signs of mishandling, notify the carrier immediately, not Chauvet. Failure to report damage to the carrier immediately may invalidate the claim. In addition, keep the box and contents for inspection.

For other issues, such as missing components or parts, damage not related to shipping, or concealed damage, file a claim with Chauvet within 7 days of delivery.

## Text Conventions

Convention	Meaning
<b>1–512</b>	A range of values
<b>50/60</b>	A set of values of which only one can be chosen
<b>Settings</b>	A menu option not to be modified
<b>&lt;ENTER&gt;</b>	A key to be pressed on the product's control panel

## Symbols

Symbol	Meaning
	Critical installation, configuration, or operation information. Not following these instructions may make the product not work, cause damage to the product, or cause harm to the operator.
	Important installation or configuration information. The product may not function correctly if this information is not used.
	Useful information.



Any reference to data or power connections in this manual assumes the use of Seetronic IP rated cables.



The term “DMX” used throughout this manual refers to the USITT DMX512-A digital data transmission protocol.

## FCC Statement of Compliance

This device complies with Part 15 Part B of the FCC rules. Operation is subject to the following two conditions:

1. This device may not cause harmful interference, and
2. This device must accept any interference received, including interference that may cause undesired operation.

This equipment has been tested and found to comply with the limits for a Class B digital device, pursuant to Part 15 of the FCC Rules. These limits are designed to provide reasonable protection against harmful interference in a residential installation. This equipment generates uses and can radiate radio frequency energy and, if not installed and used in accordance with the instructions, may cause harmful interference to radio communications. However, there is no guarantee that interference will not occur in a particular installation. If this equipment does cause harmful interference to radio or television reception, which can be determined by turning the equipment off and on, the user is encouraged to try to correct the interference by one or more of the following measures:

- Reorient or relocate the receiving antenna.
- Increase the separation between the equipment and receiver.
- Connect the equipment into an outlet on a circuit different from that to which the receiver is connected.
- Consult the dealer or an experienced radio/TV technician for help.

Any changes or modifications not expressly approved by the party responsible for compliance could void the user's authority to operate the equipment.

## RF Exposure Warning for North America, and Australia

**Warning!** This equipment complies with FCC radiation exposure limits set forth for an uncontrolled environment. This equipment should be installed and operated with a minimum distance of 20cm between the radiator and the user. This transmitter must not be co-located or operating in conjunction with any other antenna or transmitter.

## Safety Notes

Read all the following safety notes before working with this product. These notes contain important information about the installation, usage, and maintenance of this product.



**This product contains no user-serviceable parts. Any reference to servicing in this User Manual will only apply to properly trained, certified technicians. Do not open the housing or attempt any repairs.**



**All applicable local codes and regulations apply to proper installation of this product.**

- The luminaire is intended for professional use only.
- The luminaire should be positioned so that prolonged staring into the luminaire at a distance closer than 25.59 ft (7.8 m) is not expected.
- If the external flexible cable or cord of this luminaire is damaged, it shall be replaced by a special cord or cord exclusively available from the manufacturer or its service agent.
- The light source contained in this luminaire shall only be replaced by the manufacturer or its service agent or a similar qualified person.
- **CAUTION:**
  - This product's housing may be hot when operating. Mount this product in a location with adequate ventilation, at least 20 in (50 cm) from adjacent surfaces.
  - When transferring the product from extreme temperature environments, (e.g., cold truck to warm humid ballroom) condensation may form on the internal electronics of the product. To avoid causing a failure, allow the product to fully acclimate to the surrounding environment before connecting it to power.
  - Flashing light is known to trigger epileptic seizures. User must comply with local laws regarding notification of strobe use.
- **ALWAYS:**
  - Disconnect from power before cleaning the product or replacing the fuse.
  - Replace the fuse with the same type and rating.
  - Use a safety cable when mounting this product overhead.
  - Connect this product to a grounded and protected circuit.

## Before You Begin

---

- **DO NOT:**
  - Open this product. It contains no user-serviceable parts.
  - Look at the light source when the product is on.
  - Leave any flammable material within 50 cm of this product while operating or connected to power.
  - Connect this product to a dimmer or rheostat.
  - Operate this product if the housing, lenses, or cables appear damaged.
  - Operate this product outdoors or in any location where dust, excessive heat, water, or humidity may affect it (adhere to standards for the published IP rating).
- **ONLY** use the handles or the hanging/mounting brackets to carry this product.
- The maximum ambient temperature is 113 °F (45 °C). Do not operate this product at higher temperatures.
- The minimum startup temperature is -4°F (-20°C). Do not start the product at lower temperatures.
- The minimum ambient temperature is -22°F (-30°C). Do not operate the product at lower temperatures.
- To eliminate unnecessary wear and improve its lifespan, during periods of non-use completely disconnect the product from power via breaker or by unplugging it.
- In the event of a serious operating problem, stop using immediately.



**If this Chauvet product requires service, contact Chauvet Technical Support.**

### Expected LED Lifespan

Over time, use and heat will gradually reduce LED brightness. Clustered LEDs produce more heat than single LEDs, contributing to shorter lifespans if always used at full intensity. The average LED lifespan is 40,000 to 50,000 hours. To extend LED lifespan, maintain proper ventilation around the product, and limit the overall intensity.

## 2. Introduction

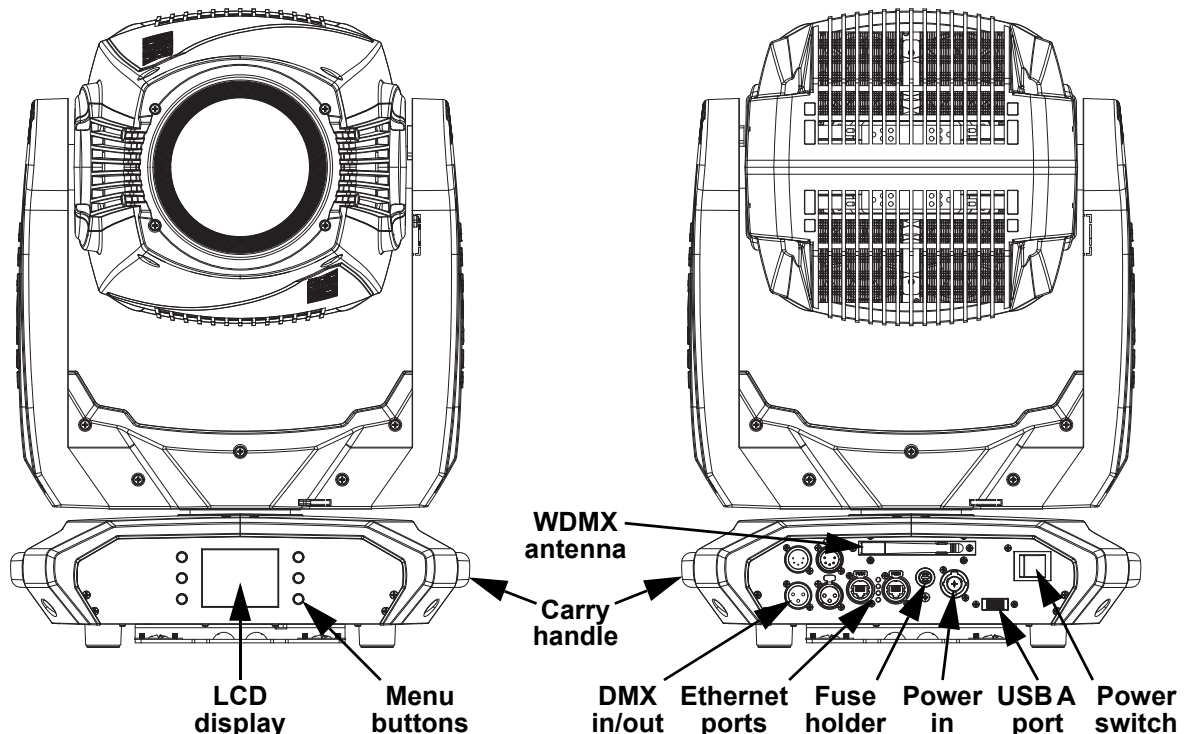
### Description

The Maverick Force 2 Profile is a lightweight, tour-grade moving head with a big presence. The powerful product features an output of over 20,000 lumens and an artillery of speedy effects housed in a deceptively compact frame, under 60lbs. The Maverick Force 2 Profile features CMY + CTO color-mixing, a color wheel with a CTB and CRI option, and an extensive zoom range of 7 to over 50 degrees that maintains a flat field of focus even when fully wide. A custom-built framing system containing 4 dual axis shutters with a 120-degree field of rotation, motorized iris, focus, zoom, and frost capabilities, alongside a 5-facet rotating prism give an abundance of tools for beam shaping. Two rotating glass gobo wheels featuring gobos created in collaboration with leading designers can be stacked on top of one another for dynamic effects. Control as desired with DMX, sACN, Art-Net or W-DMX.

### Features

- Fully featured, compact and lightweight 580 W LED yoke profile fixture including CMY + CTO color mixing, a 4-blade framing shutter system with rotation, a color wheel, 8:1 zoom, a 5-facet prism wheel, and 2 rotating gobo wheels
- 16-bit dimming of master dimmer for smooth control of fades
- Variable CMY + CTO color mixing system to create a wide pallet of colors
- CRI and CTB filters on color wheel for added flexibility
- Two rotating, indexing and interchangeable slot and lock gobo wheels
- DMX, WDMX, sACN, and Art-Net for full flexibility of control options
- RDM control over DMX for fixture reporting
- 6.8° to 55.9° zoom range for variable beam sizes
- Iris, 5-facet prism and frost for beam control
- True 1 compatible power input
- Three setup menu presets and preset sync for cross loading to multiple like fixtures for easy shop setup
- USB slot for software uploads
- Battery backup display with auto-rotate depending on fixture orientation

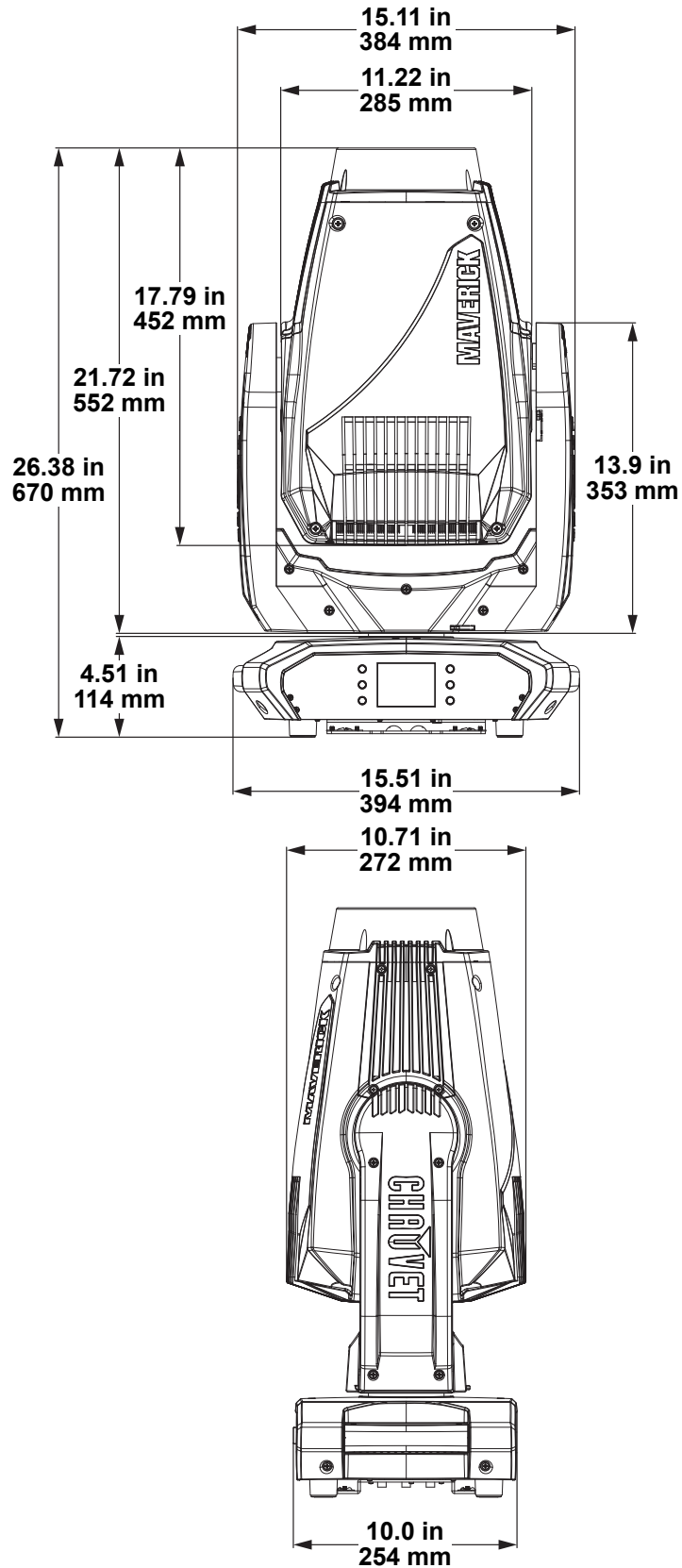
### Product Overview





Introduction

Product Dimensions



### 3. Setup

#### AC Power

The Maverick Force 2 Profile has an auto-ranging power supply and it can work with an input voltage range of 100 to 240 VAC, 50/60 Hz.

To determine the product's power requirements (circuit breaker, power outlet, and wiring), use the current value listed on the label affixed to the product's back panel, or refer to the product's specifications chart. The listed current rating indicates the product's average current draw under normal conditions.



- **Always connect the product to a protected circuit (a circuit breaker or fuse). Make sure the product has an appropriate electrical ground to avoid the risk of electrocution or fire.**
- **To eliminate unnecessary wear and improve its lifespan, during periods of non-use completely disconnect the product from power via breaker or by unplugging it.**



**Never connect the product to a rheostat (variable resistor) or dimmer circuit, even if the rheostat or dimmer channel serves only as a 0 to 100% switch.**

#### AC Plug

The Maverick Force 2 Profile comes with a power input cable terminated with a Seetronic Powerkon A connector on one end and an Edison plug on the other end (U.S. market). If the power input cable that came with the product has no plug, or if it is necessary to change the plug, use the table below to wire the new plug.

Connection	Wire (U.S.)	Wire (Europe)	Screw Color
AC Live	Black	Brown	Yellow or Brass
AC Neutral	White	Blue	Silver
AC Ground	Green/Yellow	Green/Yellow	Green

#### Fuse Replacement

1. Disconnect this product from the power outlet.
2. Using a flat-head screwdriver, unscrew the fuse holder cap from the housing.
3. Remove the blown fuse and replace with another fuse of the same type and rating (F 20 A, 250 V).
4. Screw the fuse holder cap back in place and reconnect power.

#### Remote Device Management (RDM)

Remote Device Management, or RDM, is a standard for allowing DMX-enabled devices to communicate bi-directionally along existing DMX cabling. Check the DMX controller's User Manual or with the manufacturer as not all DMX controllers have this capability. The Maverick Force 2 Profile supports RDM protocol that allows feedback to make changes to menu map options.

#### USB Software Update

The Maverick Force 2 Profile allows for software update through USB using the built-in USB port. To update the software using the USB flash drive, do the following:

1. Power on the fixture and plug the flash drive into the USB port.
2. Once the flash drive has been detected, the message "**Upgrade Firmware**" will be displayed. Press <ENTER>. If a different message appears on the display, search for the updated software in the **Menu (Updated Firmware)**. A list of the updated software files will be displayed.
3. Select the file that needs to be uploaded. The message "**Are you sure?**" will be displayed. Press <ENTER>.
4. If the selected file is correct, the update will be completed. Restart the product. If the selected file is incorrect, the update will fail, and the display will go back to the main interface. Repeat steps 1–3 using the correct file.



**Place the .chl file in the root directory of the USB drive.**



**The product's USB port supports up to 32GB capacity and only works with FAT32 file format.**

## Setup

### Mounting

Before mounting the product, read and follow the safety recommendations indicated in the Safety Notes. For the Chauvet Professional line of mounting clamps, go to <http://trusst.com/products/>.

### Orientation

Always mount this product in a safe position, making sure there is adequate room for ventilation, configuration, and maintenance.

### Rigging

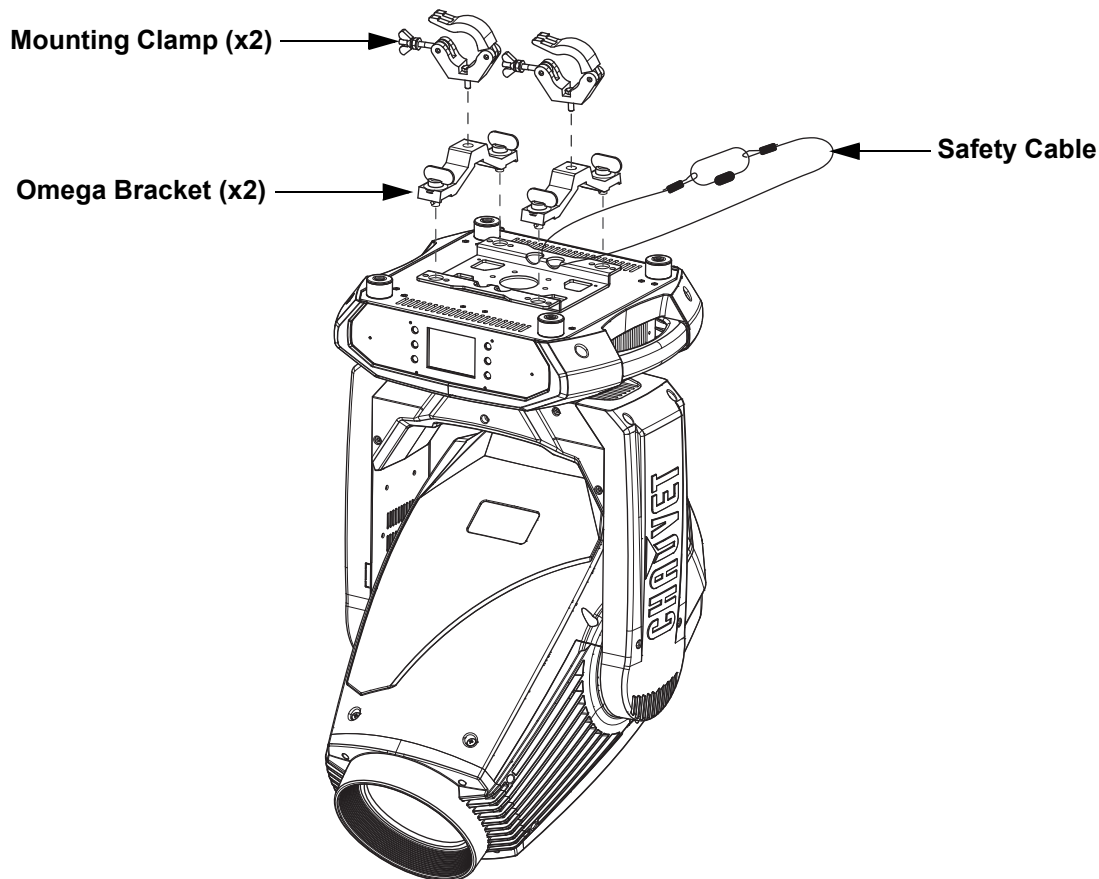
Chauvet recommends using the following general guidelines when mounting this product.

- Before deciding on a location for the product, make sure there is easy access to the product for maintenance and programming purposes.
- Make sure that the structure and attachment points can support the weight before hanging the product. See the [Technical Specifications](#) for weight information.
- When mounting the product overhead, always use a safety cable. Mount the product securely to a rigging point, whether an elevated platform or a truss.
- When rigging the product onto a truss, use a mounting clamp of appropriate weight capacity.

### Procedure

The Maverick Force 2 Profile comes with 2 omega brackets to which the user can directly attach mounting clamps (sold separately). Make sure the clamps are capable of supporting the weight of this product. Use at least two mounting points per product. For the Chauvet Professional line of mounting clamps, go to <http://www.trusst.com/products>.

### Mounting Diagram



## Signal Connections

The Maverick Force 2 Profile can receive a DMX, Art-Net™, or sACN, signal. The Maverick Force 2 Profile has 2 Amphenol XLRnet through ports, and 3-pin / 5-pin DMX in and out ports. If using other compatible products with this product, it is possible to control each individually with a single controller.

### Control Personalities

The Maverick Force 2 Profile uses a 3 or 5-pin DMX data connection, WDMX, Art-Net™, or sACN for its 2 control personalities: **Dmx Mode 33 CH** and **Dmx Mode 50 CH**.

- Refer to the [Operation](#) chapter to learn how to configure the Maverick Force 2 Profile to work in these personalities.
- The [Control Channel Assignments and Values](#) section provides detailed information regarding the control personalities.



For more information about DMX standards or the DMX cables needed to link this product to a DMX controller, download the DMX Primer from the Chauvet website: [www.chauvetprofessional.com](http://www.chauvetprofessional.com).

### DMX Linking

It is possible to link the Maverick Force 2 Profile to a DMX controller using a 3 or 5-pin DMX connection or a WDMX connection. For more information about DMX, read the DMX primer at: [https://www.chauvetprofessional.com/wp-content/uploads/2016/06/DMX\\_Primer.pdf](https://www.chauvetprofessional.com/wp-content/uploads/2016/06/DMX_Primer.pdf).

### Art-Net™ Connection

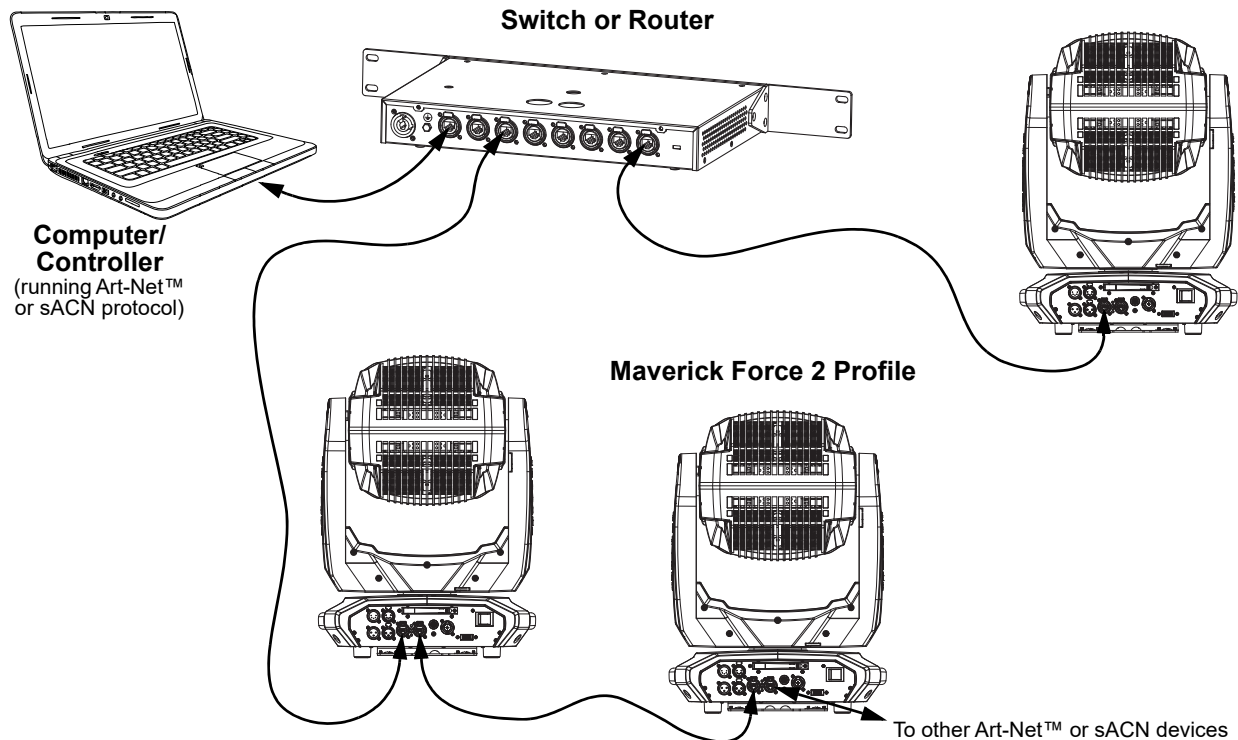
Art-Net™ is an Ethernet protocol that uses TCP/IP which transfers a large amount of DMX512 data using an Amphenol XLRnet RJ45 connection over a large network. An Art-Net™ protocol document is available from [www.chauvetprofessional.com](http://www.chauvetprofessional.com).

Art-Net™ designed by and copyright Artistic Licence Holdings Ltd.

### sACN Connection

Also known as ANSI E1.31, streaming ACN is an Ethernet protocol that uses the layering and formatting of Architecture for Control Networks to transport DMX512 data over IP or any other ACN compatible network.

### Connection Diagram









The three LED indicators in between the ethernet through ports indicate a connection to a network and activity on that network. They do not indicate whether or not the Maverick Force 2 Profile is receiving a signal from a controller.

## 4. Operation

### Touchscreen Control Panel

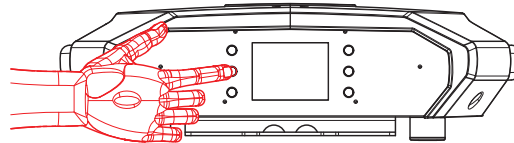
The Maverick Force 2 Profile has a touchscreen display as well as 6 control buttons. Navigate the menu structure by pressing the buttons, touching the images of the buttons on the sides of the display, or touching the desired menu option on the display directly. The touchscreen can be locked and calibrated through the Setup options in the menu. (See [Touchscreen Calibration](#) and [Touchscreen Lock](#).)

### Control Panel Description

Button	Name	Function
	<UP>	Navigates upwards through the menu list or increases the numeric value when in a function
	<MENU>	Exits from the current menu or function
	<DOWN>	Navigates downwards through the menu list or decreases the numeric value when in a function
	<LEFT>	Navigates leftwards through the menu list
	<ENTER>	Enables the currently displayed menu or sets the currently selected value into the selected function
	<RIGHT>	Navigates rightwards through the menu list

### Battery Powered Display

The Maverick Force 2 Profile has a battery powered display which enables access to the menu when the product is powered off. Press and hold <MENU> until the display activates (approximately 15 seconds).



### Home Screen

The Maverick Force 2 Profile has a home screen that shows the current control protocols, personalities, starting addresses, IP addresses, and universes. To see the home screen, press <MENU> repeatedly until it shows on the display. From the home screen, touch any of the displayed control settings to immediately jump to that part of the menu, such as the personality, starting address, or universe, or press <ENTER> to reach the main menu.

### Control Panel Lock

The setting locks or unlocks the control panel.

1. Go to the **Settings** main level.
2. Select the **Lock Screen** option.
3. Select **NO** (control panel stays unlocked) or **YES** (locks control panel).



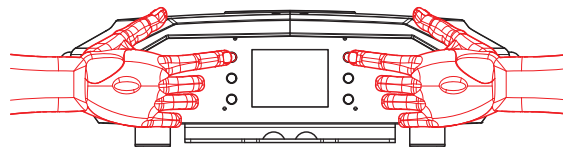
**When the control panel lock is activated, the product will prompt for the passcode in order to access the menu. Enter the passcode as described below.**

### Passcode

After being prompted to enter the passcode, press <UP>, <DOWN>, <UP>, <DOWN>, <ENTER>.

### Technician Mode

The technician mode disables the pan and tilt motors, allowing the output of the product to be aimed by hand. To enable the technician mode of the Maverick Force 2 Profile, hold <UP> and <LEFT> while the product is powering on. When the product is turned off and back on, the pan and tilt will return to normal function.



## Menu Map

Refer to the Maverick Force 2 Profile product page on [www.chauvetprofessional.com](http://www.chauvetprofessional.com) for the latest menu map.

Main Level	Programming Levels		Description
<b>Address</b>	<b>001–480</b>		Sets the starting address
<b>Network Setup</b>	<b>IP Mode</b>	<b>Manual</b>	Manually set IP address
		<b>DHCP</b>	Network sets IP address
		<b>Static</b>	Product sets IP address
	<b>Universe</b>	<b>000–255 (Art-Net™)</b> <b>001–256 (sACN)</b>	Sets the universe
	<b>Ip</b>	-----	Sets the IP address in Manual mode
	<b>SubMask</b>	-----	Sets the Subnet Mask in Manual mode
<b>Personality</b>	<b>Dmx Mode 33 CH</b>	<b>NO</b>	Selects the 33-channel mode
		<b>YES</b>	
	<b>Dmx Mode 50 CH</b>	<b>NO</b>	Selects the 50-channel mode
		<b>YES</b>	
<b>Settings</b>	<b>ControlMode</b>	<b>DMX</b>	Sets the control protocol
		<b>WDMX</b>	
		<b>ArtNet</b>	
		<b>sACN</b>	
	<b>Pan Reverse</b>	<b>NO</b>	Normal pan
		<b>YES</b>	Reversed pan
	<b>Tilt Reverse</b>	<b>NO</b>	Normal tilt
		<b>YES</b>	Reversed tilt
	<b>Screen Reverse</b>	<b>NO</b>	Normal display
		<b>YES</b>	Inverted display
		<b>AUTO</b>	Automatic display orientation
	<b>Pan Angle</b>	<b>540</b>	540° pan range
		<b>360</b>	360° pan range
		<b>180</b>	180° pan range
	<b>Tilt Angle</b>	<b>270</b>	270° tilt range
		<b>180</b>	180° tilt range
		<b>90</b>	90° tilt range
	<b>BL. O. P/T Move</b>	<b>NO</b>	Do not black out while panning/tilting
		<b>YES</b>	Blackout while panning/tilting
	<b>BL. O. Color Move</b>	<b>NO</b>	Do not black out while color wheel moving
		<b>YES</b>	Blackout while color wheel moving
	<b>BL. O. Gobo Move</b>	<b>NO</b>	Do not black out while gobo wheels moving
<b>YES</b>		Blackout while gobo wheels moving	
<b>Calibration</b>	<b>NO</b>	Cancel calibration	
	<b>YES</b>	Calibrate touchscreen	
<b>Touchscreen Lock</b>	<b>NO</b>	Touch screen enabled	
	<b>YES</b>	Touch screen disabled	

Main Level	Programming Levels		Description
Settings (cont.)	Lock Screen	NO	Lock the buttons and touch screen. Passcode: 0920
		YES	
	Swap XY	NO	Do not swap pan and tilt
		YES	Pan controls tilt, tilt controls pan
	WDMX Reset	NO	Do not reset WDMX
		YES	Reset WDMX
	Backlight Timer	30S	Display turns off after 30 seconds
		1M	Display turns off after 1 minute
		5M	Display turns off after 5 minutes
		ON	Display stays on
	Loss of Data	Hold	Holds last signal received
		Close	Blacks out fixture
	Fans	Auto	Fan speed according to product temperature
		Full	Fan speed set on high
		ECO	Quiet mode
		TV25	Maintains LED output up to an ambient temperature of 77 °F (25 °C) (TV25) or 95 °F (35 °C) (TV35).
		TV35	When using these fan modes, please set the <b>PWM Options</b> to <b>6000Hz</b> or <b>15000Hz</b> to prevent any possible harmonization noise.
	Dimmer Curve	Linear	Set the dimmer curve
		Square	
		I Squa	
		SCurve	
		Linear2	
	PWM Option	600Hz	Sets the Pulse Width Modulation frequency
1200Hz			
4000Hz			
6000Hz			
15000Hz			
LED POWER	064–255	Sets the maximum LED output	
Min Zoom Focus	NO	Enables/disables minimum zoom focus	
	YES		
Preset Select	PRESET A	Recorded preset menu options	
	PRESET B		
	PRESET C		
Preset Sync	NO	Allows recorded preset menu options to be transferred to other Maverick Force 2 Profile fixtures in the DMX daisy chain	
	YES		

Main Level	Programming Levels		Description	
Settings (cont.)	USB Update	NO	Enables/disables updating by USB	
		YES		
	Reset Function	Pan/Tilt	NO/YES	Reset individual functions or all functions from start-up
		Iris/Prism		
Color/CMY/Blade				
Gobo/Gobo Rotate				
Frost				
All				
Factory Settings	NO	Reset to factory default settings		
	YES			
Test	Auto Test		Auto test all functions	
	Manual Test	Pan	000–255	Manually control and test all settings through the control panel
		Pan Fine		
		Tilt		
		Tilt Fine		
		P/T Speed		
		Dimmer		
		Dimmer Fine		
		Shutter		
		Virtual Shaking		
		Cyan		
		Magenta		
		Yellow		
		CTO		
		Color		
		Gobo		
		Gobo Rotate		
		Gobo Index		
		Gobo2		
		Gobo2 Rotate		
		Gobo2 Index		
		Blade1- 1		
		Blade1- 1 Fine		
		Blade1- 2		
		Blade1- 2 Fine		
		Blade2- 1		
		Blade2- 1 Fine		
		Blade2- 2		
		Blade2- 2 Fine		
		Blade3- 1		
		Blade3- 1 Fine		
		Blade3- 2		
		Blade3- 2 Fine		
Blade4- 1				
Blade4- 1 Fine				
Blade4- 2				
Blade4- 2 Fine				



Main Level	Programming Levels		Description	
Test (cont.)	Manual Test (cont.)	Blade Rotate	000-255	Manually control and test all settings through the control panel
		Blade. Rota Fine		
		Focus		
		Focus Fine		
		Focus Auto		
		Zoom		
		Zoom Fine		
		Prism		
		Prism Rotate		
		Iris		
		Frost		
		CMY Macro		
		CMY Macro Speed		
		Special Function		
Information	Fixture Information	Ver V_	---	Shows firmware version
		Running Mode		Shows current running mode
		DMX Address		Shows current starting address
		Temperature		Shows current product temperature in °C
		Fixture Hours		Shows number of hours product has been powered on
		Ip		Shows current IP address
		SubMask		Shows current Subnet Mask
		MAC		Shows current MAC address
	Fan Information	head Fan1 Speed	----	Shows speed of head fans in rpm
		head Fan2 Speed	----	
		head Fan3 Speed	----	
		head Fan4 Speed	----	
		Base Fan1 Speed	----	
		Base Fan2 Speed	----	
		Base Fan3 Speed	----	
		Base Fan4 Speed	----	
	Error Information		-----	Shows any errors, or No Error!
	Channel Information	Frequency	---	Shows all current values from input signals, 000-255
		Pan		
		Pan Fine		
		Tilt		
		Tilt Fine		
		P/T Speed		
Dimmer				
Dimmer Fine				
Shutter				
Virtual Shaking				
Cyan				
Magenta				

Main Level	Programming Levels		Description
Information (cont.)	Channel Information (cont.)	Yellow	--- Shows all current values from input signals, 000–255
		CTO	
		Color	
		Gobo	
		Gobo Rotate	
		Gobo Index	
		Gobo2	
		Gobo2 Rotate	
		Gobo2 Index	
		Blade1- 1	
		Blade1- 1 Fine	
		Blade1- 2	
		Blade1- 2 Fine	
		Blade2- 1	
		Blade2- 1 Fine	
		Blade2- 2	
		Blade2- 2 Fine	
		Blade3- 1	
		Blade3- 1 Fine	
		Blade3- 2	
		Blade3- 2 Fine	
		Blade4- 1	
		Blade4- 1 Fine	
		Blade4- 2	
		Blade4- 2 Fine	
		Blade Rotate	
		Blade. Rota Fine	
		Focus	
		Focus Fine	
		Focus Auto	
		Zoom	
		Zoom Fine	
		Prism	
Prism Rotate			
Iris			
Frost			
CMY Macro			
CMY Macro Speed			
Special Function			

## Operation

### Configuration (DMX, Art-Net™, sACN)

Use control configurations to operate the product with a DMX, Art-Net™, or sACN controller.

#### Control Mode

The Maverick Force 2 Profile works with wired DMX, WDMX, Art-Net™, and sACN control signals. To select which protocol to use:

1. Go to the **Settings** main level.
2. Select the **ControlMode** option.
3. Select the desired protocol, from **DMX**, **WDMX**, **ArtNet**, or **sACN**.



- See the [WDMX Reset](#) section for further setup of WDMX.
- See the [Network Setup](#) section for further setup of ethernet protocols (Art-Net™ or sACN).

#### Control Personalities

To set the control personality:

1. Go to the **Personality** main level.
2. Select the desired personality, from **Dmx Mode 33 CH** or **Dmx Mode 50 CH**.



- See the [Starting Address](#) section for the highest selectable starting address for each personality.
- Make sure that the starting addresses on the various products do not overlap due to the new personality setting.

#### Starting Address

Each product will respond to a unique starting address from the controller. All products with the same starting address will respond in unison. To set the starting address:

1. Go to the **Address** main level.
2. Select the starting address (**001–480**).
  - The highest recommended starting address for **Dmx Mode 33 CH** is **480**.
  - The highest recommended starting address for **Dmx Mode 50 CH** is **463**.

#### Network Setup

The Network Setup settings control the IP address, subnet mask, and universe of the product.

##### IP Mode

To choose how the IP address is set:

1. Go to the **Network Setup** main level.
2. Select the **IP Mode** option.
3. Select the desired IP mode, from **Manual** (to set a custom IP address), **DHCP** (the IP address is assigned by the connected network), or **Static** (the product uses a default, preset IP address).

##### Universe

To assign an Art-Net™ or sACN universe to the Maverick Force 2 Profile:

1. Go to the **Network Setup** main level.
2. Select the **Universe** option.
3. Set the universe, from **000–255** (for Art-Net™) or from **001–256** (for sACN).

##### Manual IP Address

To set the IP address when the **IP Mode** is set to **Manual**:

1. Go to the **Network Setup** main level.
2. Select the **Ip** option.
3. Set the 4 values of the IP address from **000–255**.

##### Subnet Mask

To set the subnet mask:

1. Go to the **Network Setup** main level.
2. Select the **SubMask** option.
3. Set the 4 values of the subnet mask from **000–255**.

## Control Channel Assignments and Values

33 CH	50 CH	Function	Value	Percent/Setting
1	1	<b>Pan</b>	000 ⇔ 255	0–100%
2	2	<b>Fine Pan</b>	000 ⇔ 255	Fine control (16-bit)
3	3	<b>Tilt</b>	000 ⇔ 255	0–100%
4	4	<b>Fine Tilt</b>	000 ⇔ 255	Fine control (16-bit)
5	5	<b>Pan/Tilt Speed</b>	000 ⇔ 255	Fast to slow
6	6	<b>Dimmer</b>	000 ⇔ 255	0–100%
–	7	<b>Fine Dimmer</b>	000 ⇔ 255	Fine control (16-bit)
7	8	<b>Shutter</b>	000 ⇔ 003	Closed
			004 ⇔ 007	Open
			008 ⇔ 076	Strobe, slow to fast
			077 ⇔ 145	Pulse strobe, slow to fast
			146 ⇔ 215	Random strobe, slow to fast
			216 ⇔ 255	Open
8	9	<b>Virtual Strobe</b>	000 ⇔ 001	No function
			002 ⇔ 128	Shaking strobe, slow to fast
			129 ⇔ 255	Fading shake, slow to fast
9	10	<b>Cyan</b>	000 ⇔ 255	0–100%
10	11	<b>Magenta</b>	000 ⇔ 255	0–100%
11	12	<b>Yellow</b>	000 ⇔ 255	0–100%
12	13	<b>CTO</b>	000 ⇔ 255	0–100%
13	14	<b>Color Wheel</b>	000 ⇔ 006	Open
			007 ⇔ 013	Red
			014 ⇔ 020	Orange
			021 ⇔ 027	Green
			028 ⇔ 034	Magenta
			035 ⇔ 041	Ultraviolet
			042 ⇔ 048	CRI
			049 ⇔ 059	CTB
			060 ⇔ 187	Color wheel indexing
			188 ⇔ 219	Color scroll, fast to slow
			220 ⇔ 223	Stop
224 ⇔ 255	Reverse color scroll, slow to fast			

# Operation



33 CH	50 CH	Function	Value	Percent/Setting
14	15	Gobo Wheel 1	000 ⇔ 007	Open
			008 ⇔ 015	Gobo 1 (Sail Boats)
			016 ⇔ 023	Gobo 2 (Radial Dot)
			024 ⇔ 031	Gobo 3 (Dots)
			032 ⇔ 039	Gobo 4 (Bolts)
			040 ⇔ 047	Gobo 5 (Shower Glass)
			048 ⇔ 055	Gobo 6 (Ballistic Clouds)
			056 ⇔ 063	Gobo 7 (Four Eyes)
			064 ⇔ 071	Gobo 7 shaking
			072 ⇔ 079	Gobo 6 shaking
			080 ⇔ 087	Gobo 5 shaking
			088 ⇔ 095	Gobo 4 shaking
			096 ⇔ 103	Gobo 3 shaking
			104 ⇔ 111	Gobo 2 shaking
			112 ⇔ 119	Gobo 1 shaking
			120 ⇔ 127	Open
128 ⇔ 191	Gobo scroll, slow to fast			
192 ⇔ 255	Reverse gobo scroll, slow to fast			
15	16	Gobo 1 Rotate	000 ⇔ 063	Rotating gobo index
			064 ⇔ 145	Gobo rotation, fast to slow
			146 ⇔ 149	Stop
			150 ⇔ 231	Reverse gobo rotation, slow to fast
			232 ⇔ 255	Bounce effect, short to long
-	17	Gobo Wheel 1 Indexing	000 ⇔ 255	Fine control (16-bit)
16	18	Gobo Wheel 2	000 ⇔ 007	Open
			008 ⇔ 015	Gobo 1 (Spiral)
			016 ⇔ 023	Gobo 2 (Abstracts)
			024 ⇔ 031	Gobo 3 (Brick Wall)
			032 ⇔ 039	Gobo 4 (Chess)
			040 ⇔ 047	Gobo 5 (Granny Sue)
			048 ⇔ 055	Gobo 6 (Color Weave)
			056 ⇔ 063	Gobo 7 (Indigo Square Breakup)
			064 ⇔ 071	Gobo 7 shaking
			072 ⇔ 079	Gobo 6 shaking
			080 ⇔ 087	Gobo 5 shaking
			088 ⇔ 095	Gobo 4 shaking
			096 ⇔ 103	Gobo 3 shaking
			104 ⇔ 111	Gobo 2 shaking
			112 ⇔ 119	Gobo 1 shaking
			120 ⇔ 127	Open
128 ⇔ 191	Gobo scroll, slow to fast			
192 ⇔ 255	Reverse gobo scroll, slow to fast			
17	19	Gobo 2 Rotate	000 ⇔ 063	Rotating gobo index
			064 ⇔ 145	Gobo rotation, fast to slow
			146 ⇔ 149	Stop
			150 ⇔ 231	Reverse gobo rotation, slow to fast
			232 ⇔ 255	Bounce effect, short to long

33 CH	50 CH	Function	Value	Percent/Setting
-	20	<b>Gobo Wheel 2 Indexing</b>	000 ⇔ 255	Fine control (16-bit)
18	21	<b>Blade 1-1</b>	000 ⇔ 255	0–100%
-	22	<b>Blade 1-1 Fine</b>	000 ⇔ 255	Fine control (16-bit)
19	23	<b>Blade 1-2</b>	000 ⇔ 255	0–100%
-	24	<b>Blade 1-2 Fine</b>	000 ⇔ 255	Fine control (16-bit)
20	25	<b>Blade 2-1</b>	000 ⇔ 255	0–100%
-	26	<b>Blade 2-1 Fine</b>	000 ⇔ 255	Fine control (16-bit)
21	27	<b>Blade 2-2</b>	000 ⇔ 255	0–100%
-	28	<b>Blade 2-2 Fine</b>	000 ⇔ 255	Fine control (16-bit)
22	29	<b>Blade 3-1</b>	000 ⇔ 255	0–100%
-	30	<b>Blade 3-1 Fine</b>	000 ⇔ 255	Fine control (16-bit)
23	31	<b>Blade 3-2</b>	000 ⇔ 255	0–100%
-	32	<b>Blade 3-2 Fine</b>	000 ⇔ 255	Fine control (16-bit)
24	33	<b>Blade 4-1</b>	000 ⇔ 255	0–100%
-	34	<b>Blade 4-1 Fine</b>	000 ⇔ 255	Fine control (16-bit)
25	35	<b>Blade 4-2</b>	000 ⇔ 255	0–100%
-	36	<b>Blade 4-2 Fine</b>	000 ⇔ 255	Fine control (16-bit)
26	37	<b>Frame Rotate</b>	000 ⇔ 255	0–100%
-	38	<b>Frame Fine Rotate</b>	000 ⇔ 255	Fine control (16-bit)
27	39	<b>Focus</b>	000 ⇔ 255	0–100%
-	40	<b>Fine Focus</b>	000 ⇔ 255	Fine control (16-bit)
-	41	<b>Auto Focus</b>	000 ⇔ 010 No function 011 ⇔ 030 0–5 m 031 ⇔ 050 6 m 051 ⇔ 070 7 m 071 ⇔ 090 8 m 091 ⇔ 110 9 m 111 ⇔ 130 10 m 131 ⇔ 150 12.5 m 151 ⇔ 170 15 m 171 ⇔ 190 17.5 m 191 ⇔ 210 20–60 m 211 ⇔ 255 Auto-detect distance	
28	42	<b>Zoom</b>	000 ⇔ 255	0–100%
-	43	<b>Fine Zoom</b>	000 ⇔ 255	Fine control (16-bit)
29	44	<b>Prism</b>	000 ⇔ 004 No function 005 ⇔ 255 Prism effect	
30	45	<b>Prism Rotate</b>	000 ⇔ 127 Rotating prism index 128 ⇔ 189 Prism rotation, fast to slow 190 ⇔ 193 Stop 194 ⇔ 255 Reverse prism rotation, slow to fast	
31	46	<b>Iris</b>	000 ⇔ 063 Big to small 064 ⇔ 127 Auto change, slow to fast 128 ⇔ 191 Slow open, fast close (slow to fast) 192 ⇔ 255 Slow close, fast open (slow to fast)	
32	47	<b>Frost</b>	000 ⇔ 255	0–100%

## Operation

33 CH	50 CH	Function	Value	Percent/Setting
-	48	<b>CMY Macro</b>	000 ⇄ 009 010 ⇄ 255	No function CMY macro
-	49	<b>CMY Macro Speed</b>	000 ⇄ 255	CMY macro speed, fast to slow
33	50	<b>Control</b>	000 ⇄ 007	No function
			008 ⇄ 015	XY blackout
			016 ⇄ 023	C blackout
			024 ⇄ 031	G blackout
			032 ⇄ 039	XY/C blackout
			040 ⇄ 047	XY/G blackout
			048 ⇄ 055	XY/C/G blackout
			056 ⇄ 095	No function
			096 ⇄ 103	X reset
			104 ⇄ 111	Y reset
			112 ⇄ 119	Color reset
			120 ⇄ 127	Gobo wheels and rotation reset
			128 ⇄ 131	High color temperature gobo on
			132 ⇄ 135	High color temperature gobo off
			136 ⇄ 143	Prism reset
			144 ⇄ 151	Framing shutter reset
			152 ⇄ 159	All reset
			160 ⇄ 167	Iris reset
			168 ⇄ 175	Frost reset
			176 ⇄ 183	Zoom reset
			184 ⇄ 191	CMY reset
			192 ⇄ 199	Fan ECO mode
			200 ⇄ 207	Fan full speed
			208 ⇄ 215	Fan auto
			216 ⇄ 217	Fan TV25 mode
218 ⇄ 220	Fan TV35 mode			
221 ⇄ 225	Iris fast mode			
226 ⇄ 230	Iris smooth mode			
231 ⇄ 235	XY swap on			
236 ⇄ 240	XY swap off			
241 ⇄ 245	Minimum zoom focus on			
246 ⇄ 250	Minimum zoom focus off			
251 ⇄ 255	No function			

## Configuration (Settings)

### Pan Reverse

To set the orientation of the pan:

1. Go to the **Settings** main level.
2. Select the **Pan Reverse** option.
3. Select from **NO** (normal pan motion), or **YES** (reversed pan motion).

### Tilt Reverse

To set the orientation of the tilt:

1. Go to the **Settings** main level.
2. Select the **Tilt Reverse** option.
3. Select from **NO** (normal tilt motion), or **YES** (reversed tilt motion).

### Screen Reverse

To set the orientation of the display:

1. Go to the **Settings** main level.
2. Select the **Screen Reverse** option.
3. Select from **NO** (right-side up), **YES** (upside-down), or **AUTO** (changes depending on the orientation of the product).

### Pan Angle

To set the maximum angle of the pan:

1. Go to the **Settings** main level.
2. Select the **Pan Angle** option.
3. Select from **540** (540°), **360** (360°), or **180** (180°).

### Tilt Angle

To set the maximum angle of the tilt:

1. Go to the **Settings** main level.
2. Select the **Tilt Angle** option.
3. Select from **270** (270°), **180** (180°), or **90** (90°).

### Blackout on Movement

To set the Maverick Force 2 Profile to black out on pan or tilt movement, color wheel movement, or gobo wheel movement:

1. Go to the **Settings** main level.
2. Select the **BL. O. P/T Move** (blackout on pan or tilt movement), **BL. O. Color Move** (blackout on color wheel movement), or **BL. O. Gobo Move** (blackout on gobo wheel movement) option.
3. Select from **NO** (no blackout on selected movement), or **YES** (blackout during the selected movement).

### Touchscreen Calibration

To calibrate the touchscreen:

1. Go to the **Settings** main level.
2. Select the **Calibration** option.
3. Select from **NO** (cancel), or **YES** (calibrate).
4. Follow the instructions on the display.

### Touchscreen Lock

To lock the touchscreen and limit the display to operation by the menu buttons:

1. Go to the **Settings** main level.
2. Select the **Touchscreen Lock** option.
3. Select from **NO** (do not lock the touchscreen), or **YES** (lock the touchscreen).

### Swap Pan and Tilt

To swap the pan and tilt controls for each other:

1. Go to the **Settings** main level.
2. Select the **Swap XY** option.
3. Select from **NO** (do not swap), or **YES** (swap so pan controls tilt and tilt controls pan).



## Operation

---

### WDMX Reset

To reset the WDMX connection and allow the Maverick Force 2 Profile to connect to a WDMX transmitter:

1. Go to the **Settings** main level.
2. Select the **WDMX Reset** option.
3. Select from **NO** (do not reset), or **YES** (reset the WDMX connection).



Follow instructions in the manual or guide for the WDMX controller being used to connect it to the receiver in the Maverick Force 2 Profile.

### Display Backlight Timer

To set the length of time before an inactive display will turn off:

1. Go to the **Settings** main level.
2. Select the **Backlight Timer** option.
3. Select the length of the backlight timer, from **30S** (30 seconds), **1M** (1 minute), **5M** (5 minutes), or **ON** (always on).

### Loss of Data

To set how the product reacts to a loss in control signal data:

1. Go to the **Settings** main level.
2. Select the **Loss of Data** option.
3. Select from **Hold** (holds the last values received before signal loss), or **Close** (blacks out the product).

### Fan Mode

To set the fan speed mode:

1. Go to the **Settings** main level.
2. Select the **Fans** option.
3. Select the fan mode, from **Auto** (fan speed adjusts to product temperature), **Full** (fan speed at maximum), **ECO** (quiet mode), **TV25** (maintains a consistent LED output up to an ambient temperature of 77 °F [25 °C]), or **TV35** (maintains a consistent LED output up to an ambient temperature of 95 °F [35 °C]).



When using the fan modes TV25 or TV35, please set the PWM Options to 6000Hz or 15000Hz to prevent any possible harmonization noise.

### Dimmer Curve

To set the dimmer curve:

1. Go to the **Settings** main level.
2. Select the **Dimmer Curve** option.
3. Select the dimmer curve, from **Linear**, **Square**, **LSqua**, **SCurve** or **Linear2**.

### Pulse Width Modulation

To adjust the frequency of the pulse width modulation:

1. Go to the **Settings** main level.
2. Select the **PWM Option** option.
3. Select the frequency, from **600Hz**, **1200Hz**, **2000Hz**, **4000Hz**, **6000Hz**, or **15000Hz**.

### LED Power

To set the maximum power of the LED output:

1. Go to the **Settings** main level.
2. Select the **LED POWER** option.
3. Set the power from **064–255**.

### Minimum Zoom Focus

To enable or disable the minimum zoom focus function:

1. Go to the **Settings** main level.
2. Select the **Min Zoom Focus** option.
3. Select from **NO** (disable), or **YES** (enable).

## Preset Selection

To select a preset configuration of menu options:

1. Go to the **Settings** main level.
2. Select the **Preset Select** option.
3. Select from **PRESET A** (default), **PRESET B**, or **PRESET C**.



- **Changes to settings automatically save to the currently selected Preset.**
- **If no Preset has been selected, changes to settings save to PRESET A.**
- **After selecting a Preset, the product will restart.**

## Preset Synchronization

To transfer saved Presets from one Maverick Force 2 Profile to another:

1. Connect the Maverick Force 2 Profile products to receive the Presets by a DMX daisy chain.
2. Make the Maverick Force 2 Profile with the Presets to transfer the first in the DMX daisy chain.
3. Power on all of the products.
4. Set all of the products to a [Control Mode](#) other than **WDMX**. (**DMX**, **ArtNet**, or **sACN**)
5. On the Maverick Force 2 Profile with the Presets, go to the **Settings** main level.
6. Select the **Preset Sync** option.
7. Select **NO** (to cancel) or **YES** (to transfer the Presets to the connected products).



- **All menu configurations are transferred except for the IP address.**
- **ONLY connect Maverick Force 2 Profile products for this function!**

## USB Update

To enable or disable updating the firmware via the USB A port:

1. Go to the **Settings** main level.
2. Select the **USB Update** option.
3. Select from **NO** (disable), or **YES** (enable).



See the [USB Software Update](#) section for the detailed instructions on how to update the Maverick Force 2 Profile software using the USB flash drive.

## Reset Function

To reset specific functions or the entire product:

1. Go to the **Settings** main level.
2. Select the **Reset Function** option.
3. Select the functions to reset, from:
  - **Pan/Tilt**
  - **Iris/Prism**
  - **Color/CMY/Blade**
  - **Gobo/Gobo Rotate**
  - **Frost**
  - or
  - **All**
4. Select **NO** (to cancel) or **YES** (to reset the selected functions).

## Factory Reset

To reset the product to factory settings:

1. Go to the **Settings** main level.
2. Select the **Factory Reset** option.
3. Select **NO** (to cancel) or **YES** (to reset the product configuration).

## Operation

---

### Test Mode

#### Auto Test

To have the Maverick Force 2 Profile automatically test all functions one after the other:

1. Go to the **Test** main level.
2. Select the **Auto Test** option.

#### Manual Test

To manually test an individual function of the Maverick Force 2 Profile:

1. Go to the **Test** main level.
2. Select the **Manual Test** option.
3. Select a function to test, from **Pan, Pan Fine, Tilt, Tilt Fine, P/T Speed, Dimmer, Dimmer Fine, Shutter, Virtual Shaking, Cyan, Magenta, Yellow, CTO, Color, Gobo, Gobo Rotate, Gobo Index, Gobo2, Gobo2 Rotate, Gobo2 Index, Blade1- 1, Blade1- 1 Fine, Blade1- 2, Blade1- 2 Fine, Blade2- 1, Blade2- 1 Fine, Blade2- 2, Blade2- 2 Fine, Blade3- 1, Blade3- 1 Fine, Blade3- 2, Blade3- 2 Fine, Blade4- 1, Blade4- 1 Fine, Blade4- 2, Blade4- 2 Fine, Blade Rotate, Blade Rota Fine, Focus, Focus Fine, Focus Auto, Zoom, Zoom Fine, Prism, Prism Rotate, Iris, Frost, CMY Macro, CMY Macro Speed, or Special Function.**
4. Increase or decrease the value of the selected function from **000–255** to test it.

### System Information

The information section of the menu displays statistics and the current status of the product's various functions. To view these information sections:

1. Go to the **Information** main level.
2. Select which information to view, from **Fixture Information** (shows the firmware version, running mode, addresses, temperature, and running time), **Fan Information** (shows the speed of the fans in rotations per minute (rpm)), **Error Information** (shows any error or No Error!), or **Channel Information** (shows the current values of all signal input channels).
3. If necessary, scroll up and down to view all information available in the selected option.

### Offset Mode (Zero Adjust)

The Offset mode provides fine adjustments for the home position of every moving part in the optical path as well as the pan and tilt movements. To adjust these options and prevent borders showing or reduction of the light output:

1. From the main level screen, press and hold **<MENU>** until the passcode screen appears.
2. Enter the passcode: **0920** and press **<ENTER>**.
3. Select the "zero" position to adjust, from **PAN, TILT, COLOR, GOBO, GOBO ROTATE, GOBO2, GOBO2 ROTATE, FOCUS-GOBO, FOCUS-GOBO2, ZOOM, PRISM, PRISM ROT, IRIS, FROST, CYAN, MAGENTA, YELLOW, CTO, BLADE1- 1, BLADE1- 2, BLADE2- 1, BLADE2- 2, BLADE3- 1, BLADE3- 2, BLADE4- 1, BLADE4- 2, BLADE ROTATE, DIMMER1, DIMMER2, DIMMER3, MAC4, MAC5, or MAC6.**
4. Adjust the "zero" position for the selected function from **000–255**.

## Web Server

The Maverick Force 2 Profile Web Server can be accessed by any computer on the same network as the product. It allows network access to system information, settings such as control setup, manual testing of all functions, firmware updates, and the ability to change the Web Server password.

1. Connect the product to power, and set the [Control Mode](#) to **ArtNet** and the [IP Mode](#) to **Static**.
2. Connect the product to a Windows computer with a network cable.
3. On the computer, set the first value of the IP address of the new network to match the first value of the IP address of the product. The IP address of the product is displayed on the [Home Screen](#).
4. Enter the IP address of the product into the URL bar of a web browser on the computer.
5. Enter both the User Name and Password as **admin** to log in.

### Information

The Information page on the Web Server displays the current settings and the system information of the Maverick Force 2 Profile.

### Setup

The Setup page on the Web Server provides options for control, similar to the **Setup** menu on the product. Click **Save Settings** to send the new configuration to the product.

### Manual Test

The Manual Test page on the Web Server allows all output functions of the product to be controlled through the browser. To set all functions back to default, click **Reset**.

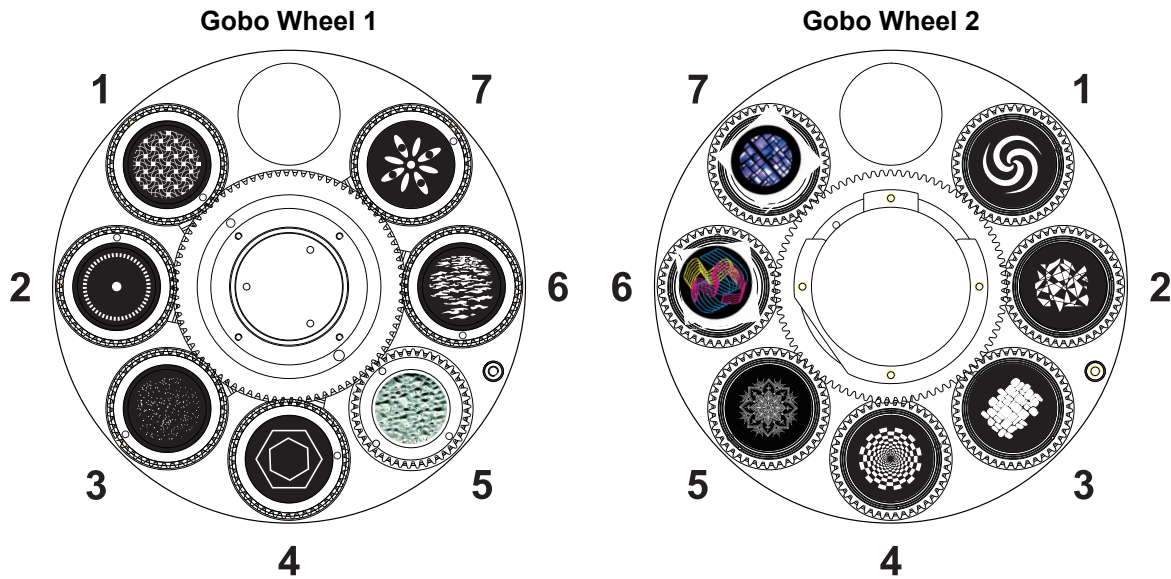
### Firmware Update

The Upgrade page on the Web Server allows the product to be updated with the latest firmware. Go to <https://www.chauvetprofessional.com> to download firmware updates.

### Security

The Security page on the Web Server gives the option to change the password to the connected product's web server. Enter the old password (**admin**, by default) and the new password twice, then click **Save Settings** to change the password.

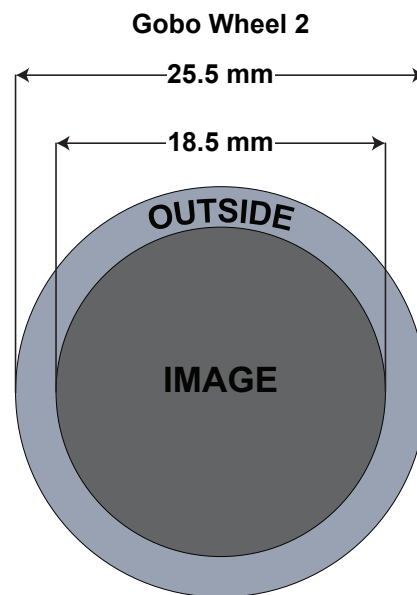
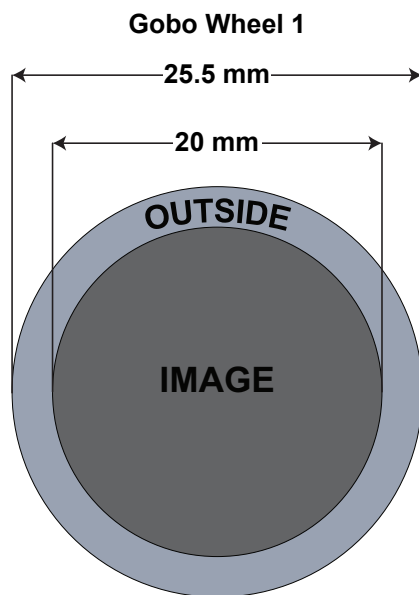
## Gobo Wheels



Gobo Wheel	Gobo #	Description
1	1	Sail Boats
	2	Radial Dot
	3	Dots
	4	Bolts
	5	Shower Glass
	6	Ballistic Glass
	7	Four Eyes

Gobo Wheel	Gobo #	Description
2	1	Spiral
	2	Abstracts
	3	Brick Wall
	4	Chess
	5	Granny Sue
	6	Color Weave
	7	Indigo Square Breakup

### Gobo Dimensions



## Gobo Replacement

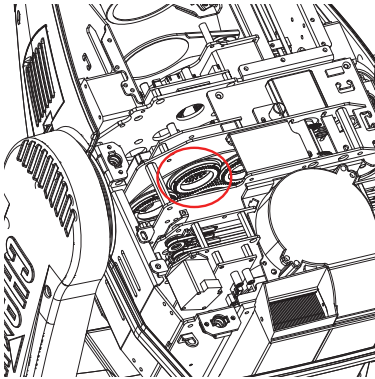
The gobos in gobo wheel 1 are removable from their gobo holders. This operation is quite simple, although it requires the technician to carefully follow the recommended procedure.

- **Make sure to disconnect the product's power cable before replacing a gobo.**
- **Always replace a gobo with a gobo of the same dimensions.**
- **When inserting a glass gobo, always make sure that the shiny side of the gobo (glass base) faces the lamp. This provides a layer of protection against the high temperature from the lamp.**

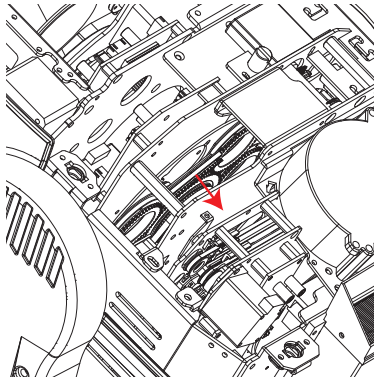
### Procedure

1. Turn the product off and disconnect it from the power outlet.
2. Open the head cover by loosening the screws on the top cover.
3. Separate the gobo holder away from the gobo wheel by pushing it toward the front of the moving head (direction 1 in the diagram). Be careful not to push the gobo out of the gobo holder.
4. Extract the gobo holder by pulling it outward (direction 2 in the diagram).
5. On a flat surface, remove the expansion ring that holds the gobo in place and remove the gobo from the gobo holder.
6. Insert a new gobo and hold it in place with the expansion ring.
7. Slide the tip of the gobo holder under the pressure plate near the center of the gobo wheel.
8. Push the gobo holder inwards. **DO NOT** force the gobo holder into the gobo wheel slot. If correctly installed, the gobo holder should easily slide into the gobo wheel slot.

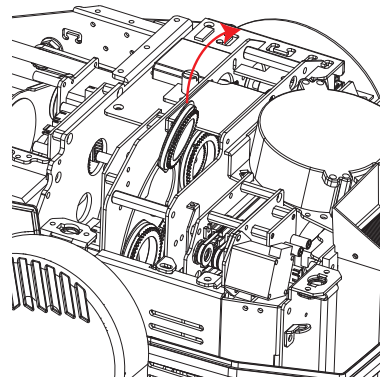
### Diagram



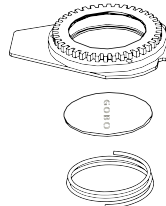
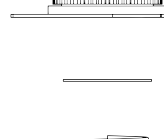
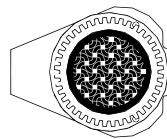
Locate



Pull Back



Remove



Gobo Holder

Gobo

Retaining Ring

# 5. Maintenance

## Product Maintenance

Dust build-up reduces light output performance and can cause overheating. This can lead to reduction of the light source's life and/or mechanical wear. To maintain optimum performance and minimize wear, clean all lighting products at least twice a month. However, be aware that usage and environmental conditions could be contributing factors to increase the cleaning frequency.

To clean the product, follow the instructions below:

1. Unplug the product from power.
2. Wait until the product is at room temperature.
3. Use a vacuum (or dry compressed air) and a soft brush to remove dust collected on the external surface/vents.
4. Clean all transparent surfaces with a mild soap solution, ammonia-free glass cleaner, or isopropyl alcohol.
5. Apply the solution directly to a soft, lint free cotton cloth or a lens cleaning tissue.
6. Softly drag any dirt or grime to the outside of the transparent surface.
7. Gently polish the transparent surfaces until they are free of haze and lint.



**Always dry the transparent surfaces carefully after cleaning them.**



**Do not spin the cooling fans with compressed air. Damage may result.**

## 6. Technical Specifications

### Dimensions and Weight

Length	Width	Height	Weight
15.51 in (394 mm)	10.71 in (272 mm)	26.38 in (670 mm)	57.3 lb (26 kg)

**Note:** Dimensions in inches are rounded.

### Power

Power Supply Type	Range	Voltage Selection
Switching (internal)	100 to 240 VAC, 50/60 Hz	Auto-ranging

Parameter	100 V, 60 Hz	120 V, 60 Hz	208 V, 60 Hz	230 V, 50 Hz	240 V, 50 Hz
Consumption	800 W	780 W	764 W	754 W	762 W
Operating Current	8.01 A	6.41 A	3.68 A	3.31 A	3.19 A
Fuse/Breaker	F 13 A, 250 V	F 13 A, 250 V	F 13 A, 250 V	F 13 A, 250 V	F 13 A, 250 V

Power I/O	U.S./Worldwide	UK/Europe
Power Input Connector	Seetronic Powerkon A	Seetronic Powerkon A
Power cable plug	Edison (U.S.)	Local Plug

### Light Source

Type	Color	Quantity	Power	Current	Lifespan
LED	Cool white (7500K)	1	580 W	4.2 A	50,000 hours

### Photometrics

Front Lens Diameter	Beam Angle	Field Angle	Cutoff Angle	Zoom Range
127 mm	6.8° to 48.1°	7.6° to 54.9°	8.4° to 55.9°	6.8 to 55.9°

Color Temperature (at Full)	CRI (without CRI Filter)	CRI (with CRI Filter)	Illuminance @ 5 m (7°)	Illuminance @ 5 m (55°)
7570K	70.8	89.3	51,865 lux	1,648 lux

### Thermal

Startup Temperature Range	Operating Temperature Range	Cooling System
-4 °F–113 °F (-20 °C–45 °C)	-22 °F–113 °F (-30 °C–45 °C)	Fan-assisted Convection

### DMX

I/O Connector	Channel Range
3 and 5-pin XLR	33 or 50

### Art-Net™/sACN

I/O Connector	Channel Range
Amphenol XLR Net RJ45 in/out	33 or 50

### Ordering

Product Name	Item Name	Item Code	UPC Number
Maverick Force 2 Profile	MAVERICKFORCE2PROFILE	08011698	781462220464





## Contact Us

General Information	Technical Support
<b>Chauvet World Headquarters</b>	
Address: 3360 Davie Rd. Davie, FL 33314 Voice: (954) 577-4455 Fax: (954) 929-5560 Toll Free: (800) 762-1084	Voice: (844) 393-7575 Fax: (954) 756-8015 Email: <a href="mailto:chauvetcs@chauvetlighting.com">chauvetcs@chauvetlighting.com</a> Website: <a href="http://www.chauvetprofessional.com">www.chauvetprofessional.com</a>
<b>Chauvet U.K.</b>	
Address: Pod 1 EVO Park Little Oak Drive, Sherwood Park Nottinghamshire, NG15 0EB UK Voice: +44 (0) 1773 511115 Fax: +44 (0) 1773 511110	Email: <a href="mailto:UKtech@chauvetlighting.eu">UKtech@chauvetlighting.eu</a> Website: <a href="http://www.chauvetprofessional.eu">www.chauvetprofessional.eu</a>
<b>Chauvet Benelux</b>	
Address: Stokstraat 18 9770 Kruishoutem Belgium Voice: +32 9 388 93 97	Email: <a href="mailto:BNLtech@chauvetlighting.eu">BNLtech@chauvetlighting.eu</a> Website: <a href="http://www.chauvetprofessional.eu">www.chauvetprofessional.eu</a>
<b>Chauvet France</b>	
Address: 3, Rue Ampère 91380 Chilly-Mazarin France Voice: +33 1 78 85 33 59	Email: <a href="mailto:FRtech@chauvetlighting.fr">FRtech@chauvetlighting.fr</a> Website: <a href="http://www.chauvetprofessional.eu">www.chauvetprofessional.eu</a>
<b>Chauvet Germany</b>	
Address: Bruno-Bürgel-Str. 11 28759 Bremen Germany Voice: +49 421 62 60 20	Email: <a href="mailto:DEtech@chauvetlighting.de">DEtech@chauvetlighting.de</a> Website: <a href="http://www.chauvetprofessional.eu">www.chauvetprofessional.eu</a>
<b>Chauvet Mexico</b>	
Address: Av. de las Partidas 34 - 3B (Entrance by Calle 2) Zona Industrial Lerma Lerma, Edo. de México, CP 52000 Voice: +52 (728) 690-2010	Email: <a href="mailto:servicio@chauvet.com.mx">servicio@chauvet.com.mx</a> Website: <a href="http://www.chauvetprofessional.mx">www.chauvetprofessional.mx</a>

## Warranty & Returns

**For warranty terms and conditions and return information, please visit our website.**

For customers in the United States and Mexico: [www.chauvetlighting.com/warranty-registration](http://www.chauvetlighting.com/warranty-registration).

For customers in the United Kingdom, Republic of Ireland, Belgium, the Netherlands, Luxembourg, France, and Germany: [www.chauvetlighting.eu/warranty-registration](http://www.chauvetlighting.eu/warranty-registration).