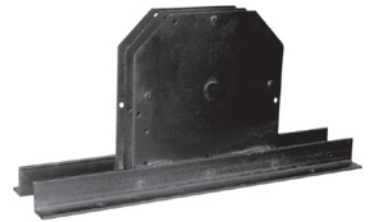
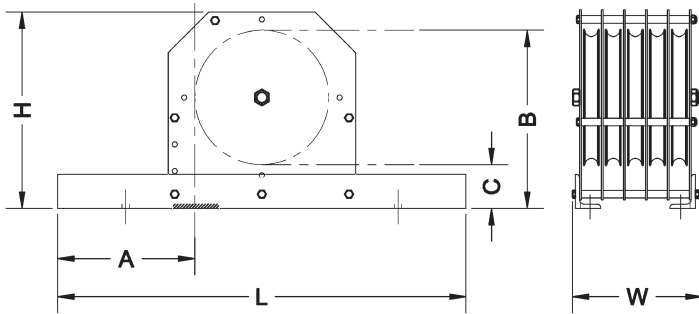


# Multi-Sheave Blocks

- Blocks may be mounted upright or underhung
- Blocks with three or more sheaves are constructed with the base angle legs turned in to allow close mounting centers. Base angles are notched to clear ropes and cables.
- Nylon or ASTM Class 30 grey iron sheaves
- 17 mm (0.67") sealed precision ball bearings
- 12-gauge (2.65 mm) side plates located outside and between sheaves



**Upright Multi-Sheave Block**  
400-20855N75



## Dimensions

Nominal Sheave Diameter	Lines	Dim. L	Dim. H	Dim. W	Dim. A	Dim. B	Dim. C	Dim. D (Sheave Diameter)
8" (203 mm)	2+	24" (610 mm)	11-1/2" (292 mm)	5-11/16" (144 mm)	8-1/16" (383 mm)	10-7/16" (265 mm)	2-9/16" (65 mm)	8" (203 mm)
8" (203 mm)	3	24" (610 mm)	11-1/2" (292 mm)	5" (127 mm)	8-1/16" (383 mm)	10-7/16" (265 mm)	2-9/16" (65 mm)	8" (203 mm)
8" (203 mm)	4	24" (610 mm)	11-1/2" (292 mm)	6-1/2" (165 mm)	8-1/16" (383 mm)	10-7/16" (265 mm)	2-9/16" (65 mm)	8" (203 mm)
8" (203 mm)	5	24" (610 mm)	11-1/2" (292 mm)	7-5/8" (193.7 mm)	8-1/16" (383 mm)	10-7/16" (265 mm)	2-9/16" (65 mm)	8" (203 mm)

\*Dimension to 3/4" (19 mm) dia rope C/L when block is used in underhung application.  
+2 Line block has base angles turned outward.

## Order Information

Sheave Diameter	Lines	Bearings	Cast Iron Product Code	RWL	Weight	Nylon Product Code	RWL	Weight
8-5/8" (219 mm)	2	17 mm BB	400-20855C75	900 lb (408 kg)	27 lb (12.25 kg)	400-20855N75	900 lb (408 kg)	21 lb (9.5 kg)
8-5/8" (219 mm)	3	17 mm BB	400-30855C75	900 lb (408 kg)	35 lb (15.9 kg)	400-30855N75	900 lb (408 kg)	26 lb (11.8 kg)
8-5/8" (219 mm)	4	17 mm BB	400-40855C75	900 lb (408 kg)	42 lb (19 kg)	400-40855N75	900 lb (408 kg)	31 lb (14 kg)
8-5/8" (219 mm)	5	17 mm BB	400-50855C75	900 lb (408 kg)	50 lb (22.7 kg)	400-50855N75	900 lb (408 kg)	36 lb (16.3 kg)

Change the last two characters from "75" (3/4" rope) to "25" for 1/4" cable.

**RWL:** RWL is maximum load that can be applied to a block which is in "like new" condition and has been properly installed, maintained, and operated.

### Music Education and Performing Arts

Owatonna Office: Phone 800.4WENGER (493-6437) Worldwide +1.507.455.4100 | Parts & Service 800.887.7145 | wengercorp.com  
555 Park Drive, PO Box 448 | Owatonna | MN 55060-0448

Syracuse Office: Phone 800.836.1885 Worldwide +1.315.451.3440 | jrclancy.com | 7041 Interstate Island Road | Syracuse | NY 13209-9713

**Athletics** Phone 800.493.6437 | email gearboss@wengercorp.com | gearboss.com | 555 Park Drive, PO Box 448 | Owatonna | MN 55060-0448