

# ROGUE



## User Manual



Model ID: ROGUEOUTCAST3SPOT



## **Edition Notes**

The Rogue Outcast 3 Spot User Manual includes a description, safety precautions, installation, programming, operation and maintenance instructions for the Rogue Outcast 3 Spot as of the release date of this edition.

## **Trademarks**

Chauvet, Chauvet Professional, the Chauvet logo, Rogue, Outcast, and Rogue Outcast are registered trademarks or trademarks of Chauvet & Sons, LLC (d/b/a Chauvet and Chauvet Lighting) in the United States and other countries. Other company and product names and logos referred to herein may be trademarks of their respective companies.

## **Copyright Notice**

The works of authorship contained in this manual, including, but not limited to, all design, text and images are owned by Chauvet.

© **Copyright 2023 Chauvet & Sons, LLC. All rights reserved.**

Electronically published by Chauvet in the United States of America.

## **Manual Use**

Chauvet authorizes its customers to download and print this manual for professional information purposes only. Chauvet expressly prohibits the usage, copy, storage, distribution, modification, or printing of this manual or its content for any other purpose without written consent from Chauvet.

## **Document Printing**

For best results, print this document in color, on letter size paper (8.5 x 11 in), double-sided. If using A4 paper (210 x 297 mm), configure the printer to scale the content accordingly.

## **Intended Audience**

Any person installing, operating, and/or maintaining this product should completely read through the guide that shipped with the product, as well as this manual, before installing, operating, or maintaining this product.

## **Disclaimer**

Chauvet believes that the information contained in this manual is accurate in all respects. However, Chauvet assumes no responsibility and specifically disclaims any and all liability to any party for any loss, damage or disruption caused by any errors or omissions in this document, whether such errors or omissions result from negligence, accident or any other cause. Chauvet reserves the right to revise the content of this document without any obligation to notify any person or company of such revision, however, Chauvet has no obligation to make, and does not commit to make, any such revisions. Download the latest version from [www.chauvetprofessional.com](http://www.chauvetprofessional.com).

## **Document Revision**

This Rogue Outcast 3 Spot User Manual is the 2<sup>nd</sup> edition of this document. Go to [www.chauvetprofessional.com](http://www.chauvetprofessional.com) for the latest version.

## TABLE OF CONTENTS

<b>1. Before You Begin .....</b>	<b>1</b>
What Is Included .....	1
Claims .....	1
Text Conventions .....	1
Symbols .....	1
FCC Statement of Compliance .....	2
Safety Notes.....	3
Personal Safety.....	3
Mounting and Rigging .....	3
Power and Wiring.....	3
Operation .....	4
Expected LED Lifespan.....	4
<b>2. Introduction .....</b>	<b>5</b>
Description .....	5
Features .....	5
Product Overview.....	5
Product Dimensions .....	6
<b>3. Setup .....</b>	<b>7</b>
AC Power .....	7
AC Plug.....	7
Power Linking.....	7
Fuse Replacement .....	7
DMX Linking.....	7
Remote Device Management (RDM).....	7
USB Software Update .....	8
Mounting .....	9
Orientation.....	9
Rigging .....	9
Procedure.....	9
<b>4. Operation .....</b>	<b>10</b>
Control Panel Description .....	10
Menu Map .....	10
Configuration (DMX) .....	12
Control Personalities .....	12
Starting Address.....	12
Control Channel Assignments and Values.....	12
Color Wheels.....	15
Gobo Wheels .....	16
Rotating Gobo Dimensions.....	16
Configuration (Settings) .....	16
Pan Reverse .....	16
Tilt Reverse .....	16
Screen Reverse .....	16
Pan Angle.....	17
Tilt Angle .....	17
Black Out on Movement.....	17
Display Backlight Timer.....	17

Swap Pan and Tilt .....	17
DMX Loss.....	17
Fan Mode .....	17
Dimmer Curve .....	17
Pulse Width Modulation .....	17
USB Update .....	18
Reset Function .....	18
Factory Reset.....	18
Test Mode .....	18
Auto Test.....	18
Manual Test .....	18
System Information .....	18
Offset Mode (Zero Adjust).....	18
Gobo Replacement .....	19
Procedure.....	19
Diagram .....	19
<b>5. Maintenance.....</b>	<b>20</b>
Product Maintenance .....	20
<b>6. Technical Specifications .....</b>	<b>21</b>
<b>Contact Us .....</b>	<b>22</b>
Warranty & Returns.....	22



## Before You Begin

# 1. Before You Begin

## What Is Included

- Rogue Outcast 3 Spot
- Seetronic Powerkon IP65 power cable
- 2 Omega brackets with mounting hardware
- Quick Reference Guide

## Claims

Carefully unpack the product immediately and check the container to make sure all the parts are in the package and are in good condition.




If the box or the contents (the product and included accessories) appear damaged from shipping, or show signs of mishandling, notify the carrier immediately, not Chauvet. Failure to report damage to the carrier immediately may invalidate a claim. In addition, keep the box and contents for inspection.

For other issues, such as missing components or parts, damage not related to shipping, or concealed damage, file a claim with Chauvet within 7 days of delivery.

## Text Conventions

Convention	Meaning
1–512	A range of values
50/60	A set of values of which only one can be chosen
Settings	A menu option not to be modified
<ENTER>	A key to be pressed on the product's control panel

## Symbols

Symbol	Meaning
	Critical installation, configuration, or operation information. Not following these instructions may make the product not work, cause damage to the product, or cause harm to the operator.
	Important installation or configuration information. The product may not function correctly if this information is not used.
	Useful information.



**Any reference to data or power connections in this manual assumes the use of Seetronic IP rated cables.**



**The term “DMX” used throughout this manual refers to the USITT DMX512-A digital data transmission protocol.**

## **FCC Statement of Compliance**

This device complies with Part 15 Part B of the FCC rules. Operation is subject to the following two conditions:

1. This device may not cause harmful interference, and
2. This device must accept any interference received, including interference that may cause undesired operation.

This equipment has been tested and found to comply with the limits for a Class B digital device, pursuant to Part 15 of the FCC Rules. These limits are designed to provide reasonable protection against harmful interference in a residential installation. This equipment generates uses and can radiate radio frequency energy and, if not installed and used in accordance with the instructions, may cause harmful interference to radio communications. However, there is no guarantee that interference will not occur in a particular installation. If this equipment does cause harmful interference to radio or television reception, which can be determined by turning the equipment off and on, the user is encouraged to try to correct the interference by one or more of the following measures:

- Reorient or relocate the receiving antenna.
- Increase the separation between the equipment and receiver.
- Connect the equipment into an outlet on a circuit different from that to which the receiver is connected.
- Consult the dealer or an experienced radio/TV technician for help.

Any changes or modifications not expressly approved by the party responsible for compliance could void the user's authority to operate the equipment.

## Before You Begin

---

### Safety Notes

Read all the following safety notes before working with this product. These notes contain important information about the installation, usage, and maintenance of this product.



**This product contains no user-serviceable parts. Any reference to servicing in this User Manual will only apply to properly trained, certified technicians. Do not open the housing or attempt any repairs.**



**All applicable local codes and regulations apply to proper installation of this product.**

### Personal Safety

- The luminaire should be positioned so that prolonged staring into the luminaire at a distance closer than 16.4 ft (5 m) is not expected.
- If the external flexible cable or cord of this luminaire is damaged, it shall be replaced by a special cord or cord exclusively available from the manufacturer or his service agent.
- The light source contained in this luminaire shall only be replaced by the manufacturer or his service agent or a similar qualified person.
- The luminaire is intended for professional use only.
- Always disconnect the product from the power source before cleaning or replacing the fuse.
- Always connect the product to a grounded circuit to avoid the risk of electrocution.
- Do not touch the product's housing when operating because it may be very hot.

### Mounting and Rigging

- Do not submerge this product (IP65). Temporary outdoor operation is fine.
- When using this product in an outdoor environment, use IP65 (or higher) rated power and data cables. Secure unused power and data ports with attached IP65 covers.
- CAUTION: When transferring product from extreme temperature environments, (e.g., cold truck to warm, humid ballroom) condensation may form on the internal electronics of the product. To avoid causing a failure, allow product to fully acclimate to the surrounding environment before connecting it to power.
- Not for permanent outdoor installation in locations with extreme environmental conditions. This includes, but is not limited to:
  - Exposure to a marine/saline environment (within 3 miles of a saltwater body of water).
  - Locations where the normal high or low temperatures exceed the temperature ranges in this manual.
  - Locations that are prone to flooding or being buried in snow.
  - Areas where the product will be subjected to extreme radiation or caustic substances.
- Mount this product in a location with adequate ventilation, at least 20 in (50 cm) from adjacent surfaces.
- Make sure there are no flammable materials within 20 cm of this product while it is operating.
- When hanging this product, always secure to a fastening device using a safety cable.
- Never carry the product by the power cable.

### Power and Wiring

- Make sure the power cable is not crimped or damaged.
- Always make sure you the user is connecting this product to the proper voltage in accordance with the specifications in this manual or on the product's specification label.
- To eliminate unnecessary wear and improve its lifespan, during periods of non-use completely disconnect the product from power via breaker or by unplugging it.
- Never connect this product to a dimmer pack or rheostat.
- Make sure to replace the fuse with another of the same type and rating.
- Never disconnect this product by pulling or tugging on the power cable.

**Operation**

- Do not operate this product if there is damage on the housing, lenses, or cables. Have the damaged parts replaced by an authorized technician at once.
- Do not cover the ventilation slots when operating to avoid internal overheating.
- The maximum ambient temperature is 113 °F (45 °C). Do not operate the product at higher temperatures.
- The minimum startup temperature is -4°F (-20°C). Do not start the product at lower temperatures.
- The minimum ambient temperature is -22°F (-30°C). Do not operate the product at lower temperatures.
- In the event of a serious operation problem, stop using this product immediately!



**If your Chauvet product requires service, contact Chauvet Technical Support.**

**Expected LED Lifespan**

Over time, use and heat will gradually reduce LED brightness. Clustered LEDs produce more heat than single LEDs, contributing to shorter lifespans if always used at full intensity. The average LED lifespan is 40,000 to 50,000 hours. To extend LED lifespan, maintain proper ventilation around the product, and limit the overall intensity.

## 2. Introduction

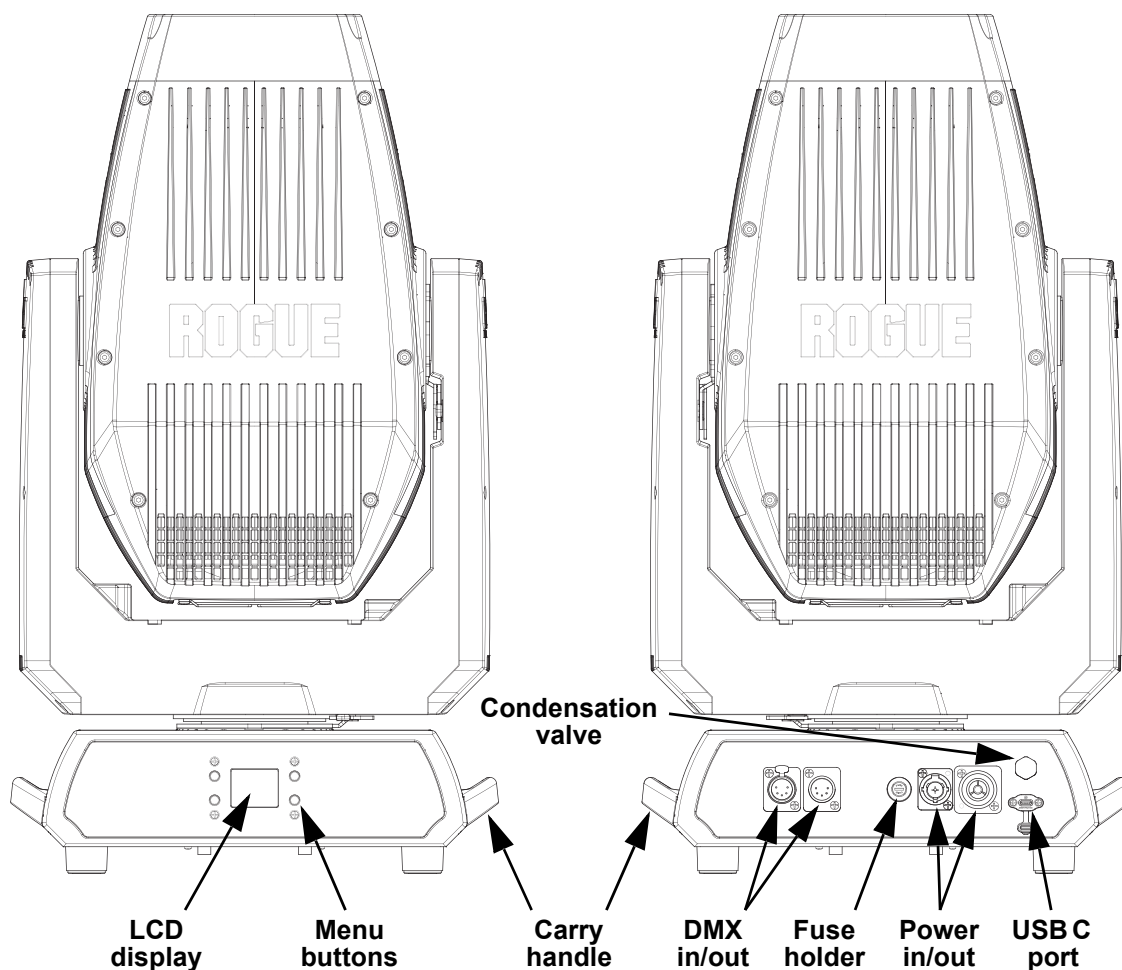
### Description

The Rogue Outcast 3 Spot is an outdoor-ready, IP65 moving head spot ideal for medium to large festivals and events. This feature-packed moving spot has a bright 300 W LED light engine that produces an even field of light, as well as rotating and static gobos, two 7-position and split-color enabled color wheels, and five facet prism to create stunning looks. A zoom range of 4.5 – 38.1° allows the Rogue Outcast 3 Spot to easily cover stages and large surfaces from a distance.

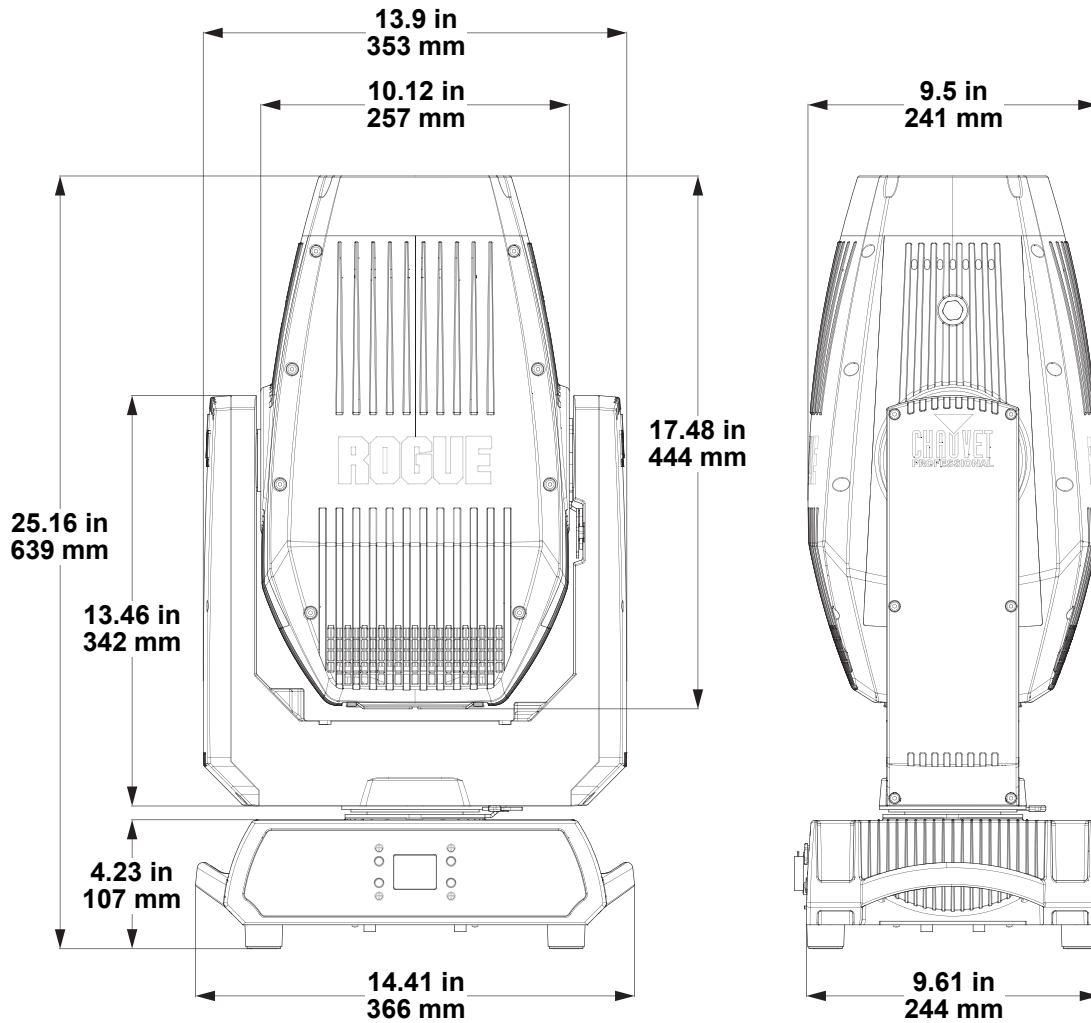
### Features

- IP65 rated LED Spot with (2) color wheels, a static and rotating gobo wheel, motorized zoom, Iris, 5 facet prism, encased in a lightweight aluminum and magnesium alloy
- Zoom range of 4.5° to 38.1 to easily cover stages and surfaces from a distance
- Perfect gobo morphing between gobo wheels
- Two color wheels with 7 colors, split color ability, and continuous variable speed scrolling
- Two gobo wheels: one fixed scrolling wheel and one rotating, interchangeable, scrolling wheel
- Iris, 5-facet prism, and frost for beam control
- Beautiful 16-bit LED dimming for ultimate fade control
- IP65 rated power input/output connections for power linking
- 5-pin DMX input/output connections
- RDM enabled for remote addressing and trouble shooting
- Selectable PWM settings to maintain flicker free operation on camera
- Simple and complex DMX channel profiles for programming versatility
- USB-C port for uploading software

### Product Overview



**Product Dimensions**



### 3. Setup

#### AC Power

The Rogue Outcast 3 Spot has an auto-ranging power supply and it can work with an input voltage range of 100 to 240 VAC, 50/60 Hz.

To determine the product's power requirements (circuit breaker, power outlet, and wiring), use the current value listed on the label affixed to the product's back panel, or refer to the product's specifications chart. The listed current rating indicates the product's average current draw under normal conditions.



- **Always connect the product to a protected circuit (a circuit breaker or fuse). Make sure the product has an appropriate electrical ground to avoid the risk of electrocution or fire.**
- **To eliminate unnecessary wear and improve its lifespan, during periods of non-use completely disconnect the product from power via breaker or by unplugging it.**



**Never connect the product to a rheostat (variable resistor) or dimmer circuit, even if the rheostat or dimmer channel serves only as a 0 to 100% switch.**

#### AC Plug

The Rogue Outcast 3 Spot comes with a power input cable terminated with a Seetronic Powerkon A connector on one end and bare wire on the other end (U.S. market). Use the table below to wire a plug.

Connection	Wire (U.S.)	Wire (Europe)	Screw Color
AC Live	Black	Brown	Yellow or Brass
AC Neutral	White	Blue	Silver
AC Ground	Green/Yellow	Green/Yellow	Green

#### Power Linking

It is possible to power link Rogue Outcast 3 Spot products. See the table below for the current draw at each voltage and frequency:

	100 V, 60 Hz	120 V, 60 Hz	208 V, 60 Hz	230 V, 50 Hz	240 V, 60 Hz
Current Draw	8.2 A	8.8 A	8.4 A	9.6 A	9.2 A

Never exceed 12A on a single circuit. Power-linking cables can be purchased separately.

#### Fuse Replacement

1. Disconnect this product from the power outlet.
2. Using a flat-head screwdriver, unscrew the fuse holder cap from the housing.
3. Remove the blown fuse and replace with another fuse of the same type and rating (F 8 A, 250 V).
4. Screw the fuse holder cap back in place and reconnect power.

#### DMX Linking

The Rogue Outcast 3 Spot will work with a DMX controller using a 5-pin DMX serial connection. A DMX Primer is available from [www.chauvetprofessional.com](http://www.chauvetprofessional.com).

#### Remote Device Management (RDM)

Remote Device Management, or RDM, is a standard for allowing DMX-enabled devices to communicate bi-directionally along existing DMX cabling. Check the DMX controller's User Manual or with the manufacturer as not all DMX controllers have this capability. The Rogue Outcast 3 Spot supports RDM protocol that allows feedback to make changes to menu map options.

## USB Software Update

The Rogue Outcast 3 Spot allows for software update through USB using the built-in USB port. To update the software using a USB type C flash drive, do the following:

1. Power on the fixture and plug the flash drive into the USB port.
2. Once the flash drive has been detected, the message “**Upgrade Firmware**” will be displayed. Press <ENTER>. If a different message appears on the display, search for the update software in the main menu (**Upgrade Firmware**) and select from **Only This Fixture**, **Multiple Fixture**, or **Other Fixture Type**. A list of the software update files will be displayed.
3. Select the file that needs to be uploaded. The message “**Are you sure?**” will be displayed. Press <ENTER>.



**If the selected file is incorrect, the upgrade will fail, and the display will go back to the main interface. Repeat steps 1-3 using the correct file.**

4. If the selected file is correct, the upgrade will start. DO NOT turn off the power or disconnect the USB during the process. USB update can take several minutes to complete.
5. When the update is completed, the fixture will automatically reboot.
6. Go to the Fixture Information on the product's menu map and confirm the firmware revision
7. When the boot-up process is finished, restart the product.



- **Place the .chl format file in the root folder of the USB drive.**
- **The product's USB port supports up to 32GB capacity and only works with FAT32 file format.**

8. If the selected file is correct, the update will be completed. Restart the product. If the selected file is incorrect, the update will fail, and the display will go back to the main interface. Repeat steps 1–3 using the correct file.



## Setup

### Mounting

Before mounting the product, read and follow the safety recommendations indicated in the Safety Notes. For our Chauvet Professional line of mounting clamps, go to <http://trusst.com/products/>.

### Orientation

Always mount this product in a safe position, making sure there is adequate room for ventilation, configuration, and maintenance.

### Rigging

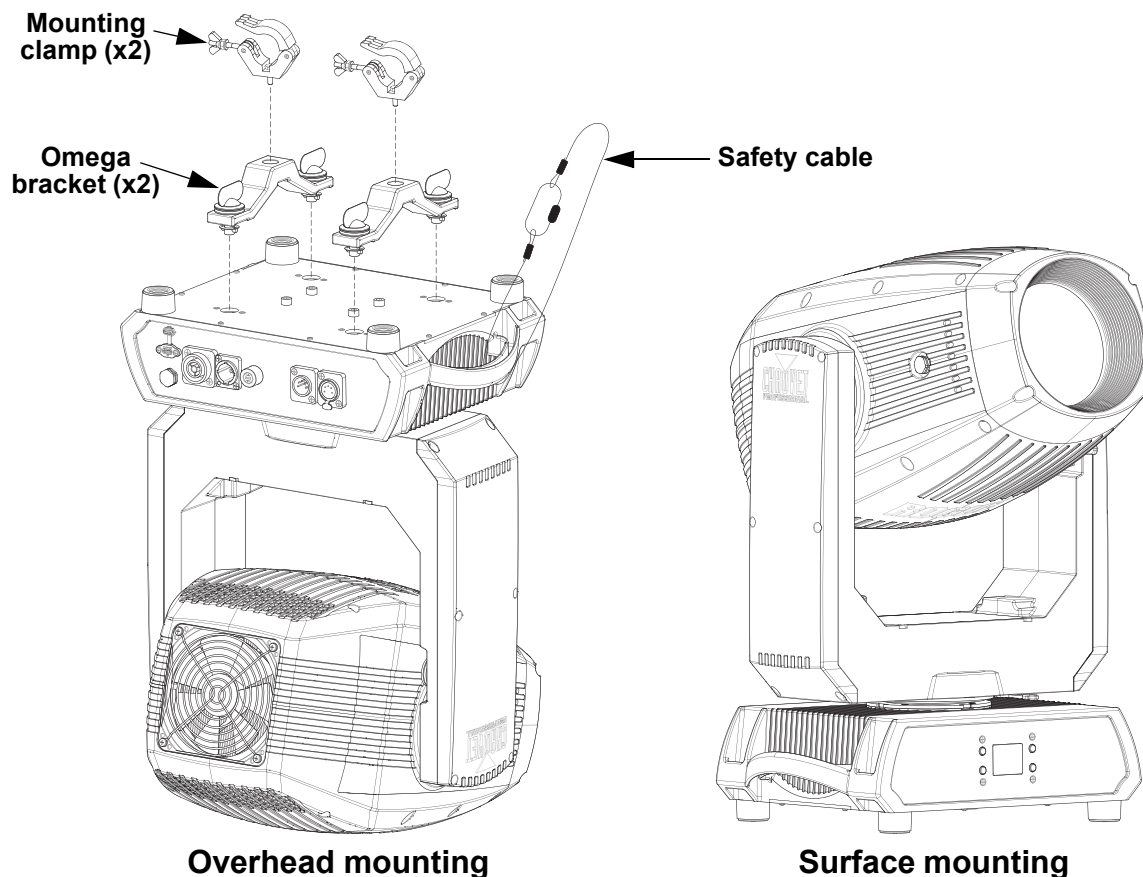
Chauvet recommends using the following general guidelines when mounting this product.

- Before deciding on a location for the product, make sure there is easy access to the product for maintenance and programming purposes.
- Make sure that the structure onto which the product is being mounted can support the product's weight. See the [Technical Specifications](#) for weight information.
- When mounting the product overhead, always use a safety cable. Mount the product securely to a rigging point, whether an elevated platform or a truss.
- When rigging the product onto a truss, use a mounting clamp of appropriate weight capacity.

### Procedure

The Rogue Outcast 3 Spot comes with 2 omega brackets to which the user can directly attach mounting clamps (sold separately). Make sure the clamps are capable of supporting the weight of this product. Use at least two mounting points per product. For the Chauvet Professional line of mounting clamps, go to <http://www.trusst.com/products>.

### Mounting Diagram



## 4. Operation

### Control Panel Description

Button	Function
<MENU>	Exits from the current menu or function
<ENTER>	Enables the currently displayed menu or sets the selected value into the selected function
<UP>	Navigates upwards through the menu list or increases the value when in a function
<DOWN>	Navigates downwards through the menu list or decreases the value when in a function

### Menu Map

Refer to the Rogue Outcast 3 Spot product page on [www.chauvetprofessional.com](http://www.chauvetprofessional.com) for the latest menu map.

Main Level	Programming Levels		Description	
Address	001–512		Sets the starting address	
Run Mode	DMX	20CH	Selects the DMX personality	
		25CH		
	Auto Test		Auto test all functions	
	Manual Test	Pan	0–255	Manually control and test all settings through the control panel
		Pan Fine		
		Tilt		
		Tilt Fine		
		P/T Speed		
		Dimmer		
		Dimmer Fine		
		Shutter		
		Virtual Shaking		
		Color1		
		Color2		
		Gobo2		
		Gobo		
		Gobo Rotate		
		Gobo Index		
		Gobo2		
		Focus		
Focus Fine				
Auto Focus				
Zoom				
Zoom Fine				
Prism				
Prism Rotate				
Iris				
Frost				
Special Function				
Setup	Pan Reverse	NO	Normal pan	
		YES	Reversed pan	
	Tilt Reverse	NO	Normal tilt	
		YES	Reversed tilt	

Main Level	Programming Levels		Description
Setup (cont.)	Screen Reverse	NO	Normal screen display
		YES	Inverted screen display
		AUTO	Automatic screen orientation
	Pan Angle	540	540° pan range
		360	360° pan range
		180	180° pan range
	Tilt Angle	270	270° tilt range
		180	180° tilt range
		090	90° tilt range
	BL.O.P/T Move	NO	Enable/disable blackout while panning/tilting
		YES	
	BL.O. ColorMove	NO	Enable/disable blackout while color wheel is moving
		YES	
	BL.O. GoboMove	NO	Enable/disable blackout while gobo wheels are moving
		YES	
	Backlight Timer	30S	Display turns off after 30 seconds
		1M	Display turns off after 1 minute
		5M	Display turns off after 5 minutes
		ON	Display stays on
	Swap XY	NO	Do not swap pan and tilt
		YES	Pan controls tilt, tilt controls pan
	Loss of Data	Hold	Holds last signal received
		Close	Blacks out fixture
	Fan Mode	Auto	Fan set by product temperature
		Full	Fan speed set on high
		ECO	Quiet mode
	Dimmer Curve	Linear	Set the dimmer curve
		Square	
		I Squa	
		SCurve	
Linear2			
PWM Option	600Hz	Sets the PWM frequency	
	1200Hz		
	2000Hz		
	4000Hz		
	6000Hz		
	15000Hz		
USB Update	NO	Update firmware via USB C	
	YES		
Reset	Pan/Tilt	NO YES	Reset individual functions or all functions from start-up
	Prism		
	Color/Iris		
	Gobo/Gobo2		
	Frost		
	All		
Factory Set	NO	Reset to factory default settings	
	YES		

Main Level	Programming Levels		Description
Sys Info	Ver	V_ _ _ _ _	Shows firmware version
	Running Mode	_ _ _	Shows current running mode
	Dmx Address	_ _ _	Shows current DMX address
	Temperature	_ _ _	Shows the product temperature in °C
	Fixture Hours	_ _ _ _ _	Shows time product has been on
	LED Hours	_ _ _ _ _	Shows time LED has been on
	UID	_ _ _ _ _ _ _ _ _ _	Shows UID information
	_ Fan _ _ _ (x3)	_ _ _ _ _	Shows speeds of fans
Base Fan1	_ _ _ _ _	Shows speed of base fan	

## Configuration (DMX)

Use control configurations to operate the product with a DMX controller.

### Control Personalities

To set the control personality:

1. Go to the **Run Mode** main level.
2. Select the **DMX** option.
3. Select the desired personality from **20CH** or **25CH**.



- See the [Starting Address](#) section for the highest selectable starting address.
- Make sure that the starting addresses on the various products do not overlap due to the new personality setting.

### Starting Address

Each product will respond to a unique starting address from the controller. All products with the same starting address will respond in unison. To set the starting address:

1. Go to the **Address** main level.
2. Select the starting address (**001–512**).
  - The highest recommended starting address for **20CH** is **493**.
  - The highest recommended starting address for **25CH** is **48**.

## Control Channel Assignments and Values

20CH	25CH	Function	Value	Percent/Setting
1	1	Pan	000 ⇔ 255	0–100%
2	2	Fine pan	000 ⇔ 255	Fine control (16-bit)
3	3	Tilt	000 ⇔ 255	0–100%
4	4	Fine tilt	000 ⇔ 255	Fine control (16-bit)
5	5	Pan/tilt speed	000 ⇔ 255	Fast to slow
6	6	Dimmer	000 ⇔ 255	0–100%
–	7	Fine dimmer	000 ⇔ 255	Fine control (16-bit)
7	8	Strobe	000 ⇔ 003	Off
			004 ⇔ 007	On
			008 ⇔ 076	Synchronized strobe, slow to fast
			077 ⇔ 145	Pulse strobe, slow to fast
			146 ⇔ 215	Random strobe, slow to fast
			216 ⇔ 255	On
8	9	Virtual shaking	000 ⇔ 001	No function
			002 ⇔ 128	Shaking effect, slow to fast
			129 ⇔ 255	Fade effect, slow to fast

## Operation

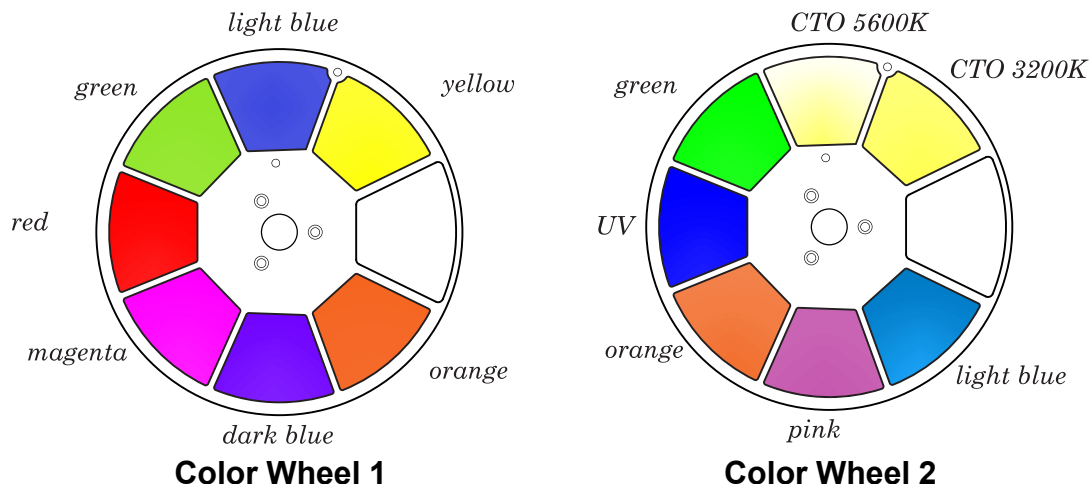
20CH	25CH	Function	Value	Percent/Setting
9	10	Color wheel 1	000 ⇄ 006	Open
			007 ⇄ 013	Yellow
			014 ⇄ 020	Light blue
			021 ⇄ 027	Green
			028 ⇄ 034	Red
			035 ⇄ 041	Magenta
			042 ⇄ 048	Dark blue
			049 ⇄ 059	Orange
			060 ⇄ 187	Color wheel indexing
			188 ⇄ 219	Color scroll, fast to slow
			220 ⇄ 223	Stop
			224 ⇄ 255	Reverse color scroll, slow to fast
10	11	Color wheel 2	000 ⇄ 006	Open
			007 ⇄ 013	CTO 3200K
			014 ⇄ 020	CTO 5600K
			021 ⇄ 027	Green
			028 ⇄ 034	UV
			035 ⇄ 041	Orange
			042 ⇄ 048	Pink
			049 ⇄ 059	Light blue
			060 ⇄ 187	Color wheel indexing
			188 ⇄ 219	Color scroll, fast to slow
			220 ⇄ 223	Stop
			224 ⇄ 255	Reverse color scroll, slow to fast
11	12	Gobo wheel 1 (see <a href="#">Gobo Wheels</a> )	000 ⇄ 007	Open
			008 ⇄ 015	Gobo 1
			016 ⇄ 023	Gobo 2
			024 ⇄ 031	Gobo 3
			032 ⇄ 039	Gobo 4
			040 ⇄ 047	Gobo 5
			048 ⇄ 055	Gobo 6
			056 ⇄ 063	Gobo 7
			064 ⇄ 071	Gobo 7 shaking, slow to fast
			072 ⇄ 079	Gobo 6 shaking, slow to fast
			080 ⇄ 087	Gobo 5 shaking, slow to fast
			088 ⇄ 095	Gobo 4 shaking, slow to fast
			096 ⇄ 103	Gobo 3 shaking, slow to fast
			104 ⇄ 111	Gobo 2 shaking, slow to fast
			112 ⇄ 119	Gobo 1 shaking, slow to fast
			120 ⇄ 127	Open
			128 ⇄ 191	Gobo scroll, slow to fast
			192 ⇄ 255	Reverse gobo scroll, slow to fast

20CH	25CH	Function	Value	Percent/Setting
12	13	Gobo wheel 1 rotate	000 ⇔ 063	Gobo index
			064 ⇔ 145	Rotation, fast to slow
			146 ⇔ 149	Stop
			150 ⇔ 231	Reverse rotation, slow to fast
			232 ⇔ 255	Alternating clockwise/counterclockwise rotation, short to long
-	14	Fine gobo rotation	000 ⇔ 255	Fine control (16-bit)
13	15	Gobo wheel 2 (see <a href="#">Gobo Wheels</a> )	000 ⇔ 005	Open
			006 ⇔ 011	Gobo 1
			012 ⇔ 017	Gobo 2
			018 ⇔ 023	Gobo 3
			024 ⇔ 029	Gobo 4
			030 ⇔ 035	Gobo 5
			036 ⇔ 041	Gobo 6
			042 ⇔ 047	Gobo 7
			048 ⇔ 053	Gobo 8
			054 ⇔ 063	Gobo 9
			064 ⇔ 069	Gobo 9 shaking, slow to fast
			070 ⇔ 075	Gobo 8 shaking, slow to fast
			076 ⇔ 081	Gobo 7 shaking, slow to fast
			082 ⇔ 087	Gobo 6 shaking, slow to fast
			088 ⇔ 093	Gobo 5 shaking, slow to fast
			094 ⇔ 099	Gobo 4 shaking, slow to fast
			100 ⇔ 105	Gobo 3 shaking, slow to fast
106 ⇔ 111	Gobo 2 shaking, slow to fast			
112 ⇔ 117	Gobo 1 shaking, slow to fast			
118 ⇔ 127	Open			
128 ⇔ 191	Gobo scroll, slow to fast			
192 ⇔ 255	Reverse gobo scroll, slow to fast			
14	16	Focus	000 ⇔ 255	0–100%
-	17	Fine focus	000 ⇔ 255	Fine control (16-bit)
-	18	Auto focus	000 ⇔ 010	No function
			011 ⇔ 030	0-5 meters
			031 ⇔ 050	6 meters
			051 ⇔ 070	7 meters
			071 ⇔ 090	8 meters
			091 ⇔ 110	9 meters
			111 ⇔ 130	10 meters
			131 ⇔ 150	12.5 meters
			151 ⇔ 170	15 meters
			171 ⇔ 190	17.5 meters
			191 ⇔ 210	20-60 meters
211 ⇔ 255	Auto detect distance			
15	19	Zoom	000 ⇔ 255	0–100%
-	20	Zoom fine	000 ⇔ 255	Fine control (16-bit)
16	21	Prism	000 ⇔ 004	No function
			005 ⇔ 255	Prism insert

# Operation

20CH	25CH	Function	Value	Percent/Setting
17	22	Prism rotate	000 ⇄ 127	Prism index
			128 ⇄ 189	Clockwise rotation, fast to slow
			190 ⇄ 193	Stop
			194 ⇄ 255	Counterclockwise rotation, slow to fast
18	23	Iris	000 ⇄ 063	Big to small
			064 ⇄ 127	Auto change, slow to fast
			128 ⇄ 191	Slow open, fast close, slow to fast
			192 ⇄ 255	Fast open, slow close, slow to fast
19	24	Frost	000 ⇄ 255	0–100%
20	25	Control (3 second hold)	000 ⇄ 007	No function
			008 ⇄ 015	Blackout during pan/tilt
			016 ⇄ 023	Blackout while color wheels are moving
			024 ⇄ 031	Blackout while gobo wheels are moving
			032 ⇄ 039	Blackout during pan/tilt/color wheel
			040 ⇄ 047	Blackout during pan/tilt/gobo wheels
			048 ⇄ 055	Blackout during pan/tilt/color wheel/gobo wheels
			056 ⇄ 095	No function
			096 ⇄ 103	Pan reset
			104 ⇄ 111	Tilt reset
			112 ⇄ 119	Color wheels reset
			120 ⇄ 127	Gobo wheels reset
			128 ⇄ 135	No function
			136 ⇄ 143	Prism reset
			144 ⇄ 151	No function
			152 ⇄ 159	All reset
			160 ⇄ 167	Iris reset
			168 ⇄ 175	Frost reset
			176 ⇄ 183	Zoom reset
			184 ⇄ 191	Fan ECO
			192 ⇄ 199	Fan Full
200 ⇄ 215	Fan Auto			
216 ⇄ 255	No function			

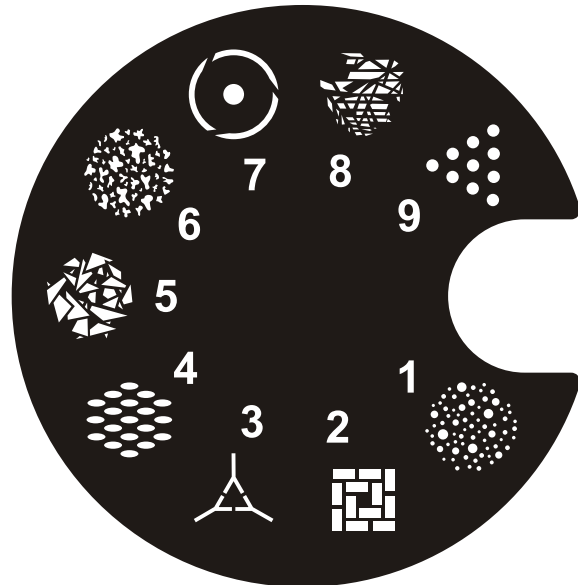
## Color Wheels



## Gobo Wheels

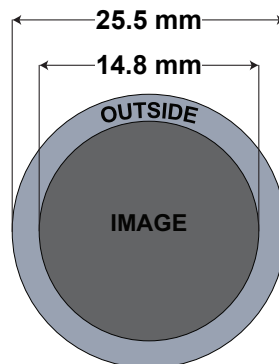


**Gobo Wheel 1**



**Gobo Wheel 2**

### Rotating Gobo Dimensions



## Configuration (Settings)

### Pan Reverse

To set the orientation of the pan:

1. Go to the **Setup** main level.
2. Select the **Pan Reverse** option.
3. Select from **NO** (normal pan motion), or **YES** (reversed pan motion).

### Tilt Reverse

To set the orientation of the tilt:

1. Go to the **Setup** main level.
2. Select the **Tilt Reverse** option.
3. Select from **NO** (normal tilt motion), or **YES** (reversed tilt motion).

### Screen Reverse

To set the orientation of the display:

1. Go to the **Setup** main level.
2. Select the **Screen Reverse** option.
3. Select from **NO** (right-side up), **YES** (upside-down), or **AUTO** (automatic orientation).



## Operation

---

### Pan Angle

To set the maximum angle of the pan:

1. Go to the **Setup** main level.
2. Select the **Pan Angle** option.
3. Select from **540** (540°), **360** (360°), or **180** (180°).

### Tilt Angle

To set the maximum angle of the tilt:

1. Go to the **Setup** main level.
2. Select the **Tilt Angle** option.
3. Select from **270** (270°), **180** (180°), or **90** (90°).

### Black Out on Movement

To set the product to black out on movement of the pan/tilt, color wheels, and/or gobo wheels.

1. Go to the **Setup** main level.
2. Select from **BL.O.P/T Move** (pan/tilt), **BL.O. ColorMove** (color wheels), or **BL.O. GoboMove** (gobo wheels).
3. Select from **NO** (do not black out during the selected movement), or **YES** (black out during the selected movement).

### Display Backlight Timer

To set how long before an inactive display will turn off:

1. Go to the **Setup** main level.
2. Select the **Backlight Timer** option.
3. Select the length of the backlight timer, from **30S** (30 seconds), **1M** (1 minute), **5M** (5 minutes), or **ON** (always on).

### Swap Pan and Tilt

To swap the controls for pan and tilt with each other:

1. Go to the **Setup** main level.
2. Select the **Swap XY** option.
3. Select from **NO** (pan controls pan, tilt controls tilt), or **YES** (pan controls tilt, tilt controls pan).

### DMX Loss

To set how the product responds when the DMX signal is lost:

1. Go to the **Setup** main level.
2. Select the **Loss of Data** option.
3. Select from **Hold** (holds the last signal received), or **Close** (blacks out the product).

### Fan Mode

To set the fan speed mode:

1. Go to the **Settings** main level.
2. Select the **Fan Mode** option.
3. Select the fan mode, from **Auto** (fan speed adjusts to product temperature), **Full** (fan speed at maximum), or **ECO** (quiet mode).

### Dimmer Curve

To set the dimmer curve:

1. Go to the **Setup** main level.
2. Select the **Dimmer Curve** option.
3. Select the dimmer curve, from **Linear**, **Square**, **I Squa**, **SCurve**, or **Linear2**.

### Pulse Width Modulation

To adjust the frequency of the pulse width modulation:

1. Go to the **Setup** main level.
2. Select the **PWM Option** option.
3. Select the frequency, from **600Hz**, **1200Hz**, **2000Hz**, **4000Hz**, **6000Hz**, or **15000Hz**.

## USB Update

To enable or disable software update using USB:

1. Go to the **Setup** main level.
2. Select the **USB Update** option.
3. Select **NO** (disables software update through USB) or **YES** (enables software update through USB).



See the [USB Software Update](#) section for the detailed instructions on how to update the Rogue Outcast 3 Spot software using a USB C connection.

## Reset Function

To reset specific functions or the entire product:

1. Go to the **Setup** main level.
2. Select the **Reset Function** option.
3. Select the functions to reset, from **Pan/Tilt, Prism, Color/Iris, Gobo/Gobo2, Frost, or All**.
4. Select **NO** (to cancel) or **YES** (to reset the selected functions).

## Factory Reset

To reset the product to factory settings:

1. Go to the **Setup** main level.
2. Select the **Factory Set** option.
3. Select **NO** (to cancel) or **YES** (to reset the product configuration).

## Test Mode

### Auto Test

To have the Rogue Outcast 3 Spot automatically test all functions one after the other:

1. Go to the **Run Mode** main level.
2. Select the **Auto Test** option.

### Manual Test

To manually test an individual function of the Rogue Outcast 3 Spot:

1. Go to the **Run Mode** main level.
2. Select the **Manual Test** option.
3. Select a function to test, from **Pan, Pan Fine, Tilt, Tilt Fine, P/T Speed, Dimmer, Dimmer Fine, Shutter, Virtual Shaking, Color1, Color2, Gobo2, Gobo, Gobo Rotate, Gobo Index, Gobo2, Focus, Focus Fine, Auto Focus, Zoom, Zoom Fine, Prism, Prism Rotate, Iris, Frost, or Special Function**.
4. Increase or decrease the value of the selected function from **000–255** to test it.

## System Information

The information section of the menu displays statistics and the current status of the product's various functions. To view this information:

1. Go to the **Sys Info** main level.
2. Use **<UP>** and **<DOWN>** to view all information.

## Offset Mode (Zero Adjust)

The Offset mode provides fine adjustments for the home position of the pan, tilt, and zoom movements. To adjust these options:

1. From the main level screen, press and hold **<MENU>** until the passcode screen appears.
2. Use **<UP>** (increase value) and **<DOWN>** (next value) to enter the passcode: **2323** and press **<ENTER>**.
3. Select the "zero" position to adjust, from **PAN, TILT, COLOR1, COLOR2, GOBO, GOBO ROTATE, GOBO2, FOCUS-GOBO, FOCUS-GOBO2, ZOOM, PRISM, IRIS, FROST, Light Block, DIMMER1, DIMMER2, RDM4, RDM5, or RDM6**.
4. Adjust the "zero" position for the selected function from **000–255**.

## Operation

### Gobo Replacement

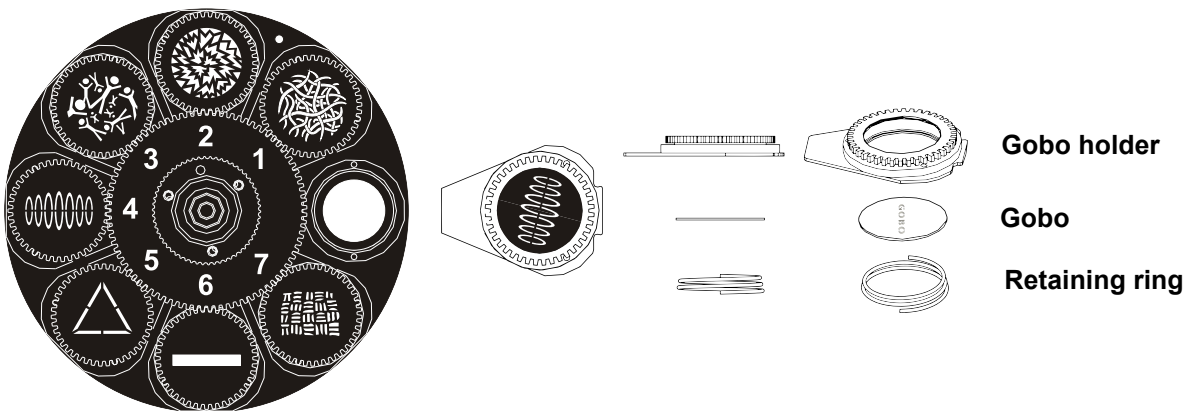
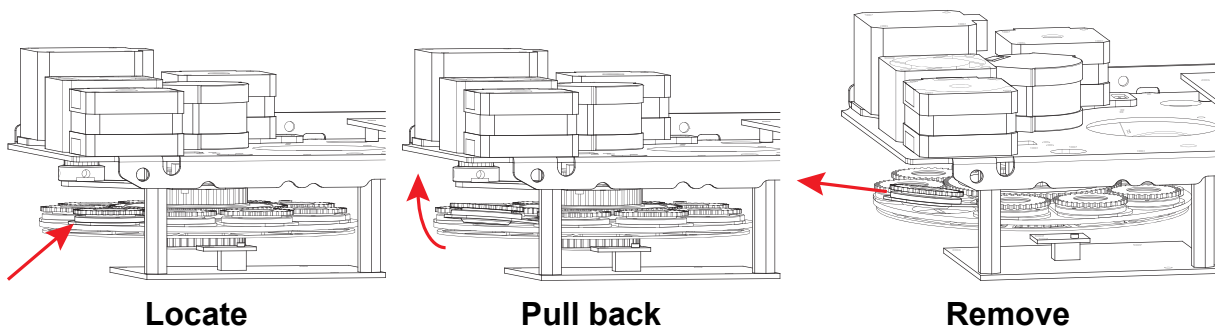
The gobos in gobo wheel 1 are removable from their gobo holders. This operation requires a technician to carefully follow the recommended procedure.

- **Make sure to disconnect the product's power cord before replacing a gobo.**
- **Always replace a gobo with a gobo of the same dimensions.**
- **When inserting a glass gobo, always make sure that the shiny side of the gobo (glass base) faces the LED. This provides a layer of protection against the high temperature from the light source.**

### Procedure

1. Turn the product off and disconnect it from the power outlet.
2. Open the head cover by loosening the screws on the top cover.
3. Separate the gobo holder away from the gobo wheel by pushing it toward the front of the moving head. Be careful not to push the gobo out of the gobo holder.
4. Extract the gobo holder by pulling it outward.
5. On a flat surface, remove the expansion ring that holds the gobo in place and remove the gobo from the gobo holder.
6. Insert a new gobo and hold it in place with the expansion ring.
7. Slide the tip of the gobo holder under the pressure plate near the center of the gobo wheel.
8. Push the gobo holder inwards. **DO NOT** force the gobo holder into the gobo wheel slot. If correctly installed, the gobo holder should easily slide into the gobo wheel slot.

### Diagram



## 5. Maintenance

### Product Maintenance

To maintain optimum performance and minimize wear, clean this product frequently. Usage and environment are contributing factors in determining the cleaning frequency.

Clean this product at least twice a month. Dust build-up reduces light output performance and can cause overheating. This can lead to reduced light source life and increased mechanical wear.

To clean the product:

1. Unplug the product from power.
2. Wait until the product is at room temperature.
3. Use a vacuum (or dry compressed air) and a soft brush to remove dust collected on the external surface/vents.
4. Clean all transparent surfaces with a mild soap solution, ammonia-free glass cleaner, or isopropyl alcohol.
5. Apply the solution directly to a soft, lint free cotton cloth or a lens cleaning tissue.
6. Softly drag any dirt or grime to the outside of the transparent surface.
7. Gently polish the transparent surfaces until they are free of haze and lint.



**Always dry the transparent surfaces carefully after cleaning them.**



**Do not spin the cooling fans with compressed air. Damage may result.**

## Technical Specifications

### 6. Technical Specifications

#### Dimensions and Weight

Length	Width	Height	Weight
14.41 in (366 mm)	9.61 in (244 mm)	25.16 in (639 mm)	47.2 lb (21.2 kg)

**Note:** Dimensions in inches are rounded.

#### Power

Power Supply Type	Range	Voltage Selection
Switching (internal)	100 to 240 VAC, 50/60 Hz	Auto-ranging

Parameter	100 V, 60 Hz	120 V, 60 Hz	208 V, 60 Hz	230 V, 50 Hz	240 V, 50 Hz
Consumption	510 W	509 W	496 W	494 W	492 W
Operating Current	5.13 A	4.33 A	2.43 A	2.28 A	2.10 A
Power linking current (products)	12 A (2 products)	12 A (2 products)	12 A (4 products)	12 A (5 products)	12 A (5 products)
Fuse/Breaker	F 8 A, 250 V	F 8 A, 250 V	F 8 A, 250 V	F 8 A, 250 V	F 8 A, 250 V

Power I/O	U.S./Worldwide	UK/Europe
Power Input Connector	Seetronic Powerkon IP65	Seetronic Powerkon IP65
Power Output Connector	Seetronic Powerkon IP65	Seetronic Powerkon IP65
Power Cable plug	Edison	Local plug

#### Light Source

Type	Color	Quantity	Power	Current	Lifespan
LED	Cool-White	1	300 W	5 A	50,000 hours

#### Photometrics

Beam Angle	Field Angle	Cutoff Angle	Zoom Angle
4.5° to 34.7°	5° to 37.6°	5.7° to 38.1°	4.5° to 38.1°

Illuminance @ 5 m (5°)	Illuminance @ 5 m (37.6°)
48,301 lux	1,913 lux

#### Thermal

Maximum External Temperature	Cooling System
113 °F (45 °C)	Fan-assisted Convection

#### DMX

I/O Connector	Channel Range
5-pin XLR	20 or 25

#### Ordering

Product Name	Item Name	Item Code	UPC Number
Rogue Outcast 3 Spot	ROGUEOUTCAST3SPOT	08011949	781462222970



## Contact Us

General Information	Technical Support
<b>Chauvet World Headquarters</b>	
Address: 3360 Davie Rd. Davie, FL 33314 Voice: (954) 577-4455 Fax: (954) 929-5560 Toll Free: (800) 762-1084	Voice: (844) 393-7575 Fax: (954) 756-8015 Email: <a href="mailto:chauvetcs@chauvetlighting.com">chauvetcs@chauvetlighting.com</a> Website: <a href="http://www.chauvetdj.com">www.chauvetdj.com</a>
<b>Chauvet U.K.</b>	
Address: Pod 1 EVO Park Little Oak Drive, Sherwood Park Nottinghamshire, NG15 0EB UK Voice: +44 (0) 1773 511115 Fax: +44 (0) 1773 511110	Email: <a href="mailto:UKtech@chauvetlighting.eu">UKtech@chauvetlighting.eu</a> Website: <a href="http://www.chauvetdj.eu">www.chauvetdj.eu</a>
<b>Chauvet Benelux</b>	
Address: Stokstraat 18 9770 Kruishoutem Belgium Voice: +32 9 388 93 97	Email: <a href="mailto:BNLtech@chauvetlighting.eu">BNLtech@chauvetlighting.eu</a> Website: <a href="http://www.chauvetdj.eu">www.chauvetdj.eu</a>
<b>Chauvet France</b>	
Address: 3, Rue Ampère 91380 Chilly-Mazarin France Voice: +33 1 78 85 33 59	Email: <a href="mailto:FRtech@chauvetlighting.fr">FRtech@chauvetlighting.fr</a> Website: <a href="http://www.chauvetdj.eu">www.chauvetdj.eu</a>
<b>Chauvet Germany</b>	
Address: Bruno-Bürgel-Str. 11 28759 Bremen Germany Voice: +49 421 62 60 20	Email: <a href="mailto:DEtech@chauvetlighting.de">DEtech@chauvetlighting.de</a> Website: <a href="http://www.chauvetdj.eu">www.chauvetdj.eu</a>
<b>Chauvet Mexico</b>	
Address: Av. de las Partidas 34 - 3B (Entrance by Calle 2) Zona Industrial Lerma Lerma, Edo. de México, CP 52000 Voice: +52 (728) 690-2010	Email: <a href="mailto:servicio@chauvet.com.mx">servicio@chauvet.com.mx</a> Website: <a href="http://www.chauvetdj.mx">www.chauvetdj.mx</a>

## Warranty & Returns

For warranty terms and conditions and return information, please visit our website.

For customers in the United States and Mexico: [www.chauvetlighting.com/warranty-registration](http://www.chauvetlighting.com/warranty-registration).

For customers in the United Kingdom, Republic of Ireland, Belgium, the Netherlands, Luxembourg, France, and Germany: [www.chauvetlighting.eu/warranty-registration](http://www.chauvetlighting.eu/warranty-registration).