

ROGUE



User Manual



Edition Notes

The Rogue R2X Wash VW User Manual includes a description, safety precautions, installation, programming, operation and maintenance instructions for the Rogue R2X Wash VW as of the release date of this edition.

Trademarks

Chauvet, Chauvet Professional, the Chauvet logo, and Rogue are registered trademarks or trademarks of Chauvet & Sons, LLC (d/b/a Chauvet and Chauvet Lighting) in the United States and other countries. Other company and product names and logos referred to herein may be trademarks of their respective companies.

Copyright Notice

The works of authorship contained in this manual, including, but not limited to, all design, text and images are owned by Chauvet.

© **Copyright 2022 Chauvet & Sons, LLC. All rights reserved.**

Electronically published by Chauvet in the United States of America.

Manual Use

Chauvet authorizes its customers to download and print this manual for professional information purposes only. Chauvet expressly prohibits the usage, copy, storage, distribution, modification, or printing of this manual or its content for any other purpose without written consent from Chauvet.

Document Printing

For best results, print this document in color, on letter size paper (8.5 x 11 in), double-sided. If using A4 paper (210 x 297 mm), configure the printer to scale the content accordingly.

Intended Audience

Any person installing, operating, and/or maintaining this product should completely read through the guide that shipped with the product, as well as this manual, before installing, operating, or maintaining this product.

Disclaimer

Chauvet believes that the information contained in this manual is accurate in all respects. However, Chauvet assumes no responsibility and specifically disclaims any and all liability to any party for any loss, damage or disruption caused by any errors or omissions in this document, whether such errors or omissions result from negligence, accident or any other cause. Chauvet reserves the right to revise the content of this document without any obligation to notify any person or company of such revision, however, Chauvet has no obligation to make, and does not commit to make, any such revisions. Download the latest version from www.chauvetprofessional.com.

Document Revision

This Rogue R2X Wash VW User Manual is the 3rd edition of this document. Go to www.chauvetprofessional.com for the latest version.

TABLE OF CONTENTS

1. Before You Begin	1
What Is Included	1
Claims.....	1
Text Conventions.....	1
Symbols.....	1
FCC Compliance	1
Expected LED Lifespan	1
Safety Notes	2
Personal Safety	2
Mounting and Rigging.....	2
Power and Wiring	2
Operation.....	2
2. Introduction	3
Description.....	3
Features	3
Product Overview	3
Product Dimensions	4
3. Setup	5
AC Power	5
AC Plug.....	5
Power Linking	5
Fuse Replacement.....	5
Remote Device Management (RDM)	5
Mounting.....	6
Orientation	6
Rigging.....	6
Procedure	6
4. Operation	7
Control Panel Description.....	7
Control Options.....	7
Programming	7
Configuration (DMX).....	7
Control Personalities.....	7
Starting Address	7
Menu Map.....	8
DMX Values.....	10
36CH.....	10
36CH MS	15
34CH.....	19
23CH.....	24
23CH MS	27
18CH.....	31
15CH.....	35
Preset Color Temperature	38

Configuration (Settings).....	39
Pan Reverse	39
Tilt Reverse.....	39
Pan Angle	39
Tilt Angle.....	39
Fan Mode.....	39
Display Backlight	39
Screen Reverse	39
Dimmer Curve.....	39
Dimmer Speed.....	39
Pulse Width Modulation Options.....	39
Color Calibration	40
Reset Function.....	40
Factory Reset	40
Test Mode.....	40
Auto Test	40
Manual Test.....	40
System Information.....	40
Offset Mode (Zero Adjust)	40
5. Maintenance.....	41
Product Maintenance.....	41
6. Technical Specifications	42
Returns.....	43
Contact Us	44

Before You Begin

1. Before You Begin

What Is Included

- Rogue R2X Wash VW
- Neutrik® powerCON® power cable
- Omega bracket with mounting hardware
- Quick Reference Guide

Claims

Carefully unpack the product immediately and check the container to make sure all the parts are in the package and are in good condition.




If the box or the contents (the product and included accessories) appear damaged from shipping, or show signs of mishandling, notify the carrier immediately, not Chauvet. Failure to report damage to the carrier immediately may invalidate your claim. In addition, keep the box and contents for inspection.

For other issues, such as missing components or parts, damage not related to shipping, or concealed damage, file a claim with Chauvet within 7 days of delivery.

Text Conventions

Convention	Meaning
1–512	A range of values
50/60	A set of values of which only one can be chosen
Settings	A menu option not to be modified
<ENTER>	A key to be pressed on the product's control panel

Symbols

Symbol	Meaning
	Critical installation, configuration, or operation information. Not following these instructions may make the product not work, cause damage to the product, or cause harm to the operator.
	Important installation or configuration information. The product may not function correctly if this information is not used.
	Useful information.



The term “DMX” used throughout this manual refers to the USITT DMX512-A digital data transmission protocol.

FCC Compliance

This device complies with Part 15 Part B of the FCC Rules. Operation is subject to the following two conditions:

1. This device may not cause harmful interference, and
2. This device must accept any interference received, including interference that may cause undesired operation.

Any changes or modifications not expressly approved by the party responsible for compliance could void the user's authority to operate the equipment.

Expected LED Lifespan

Over time, use and heat will gradually reduce LED brightness. Clustered LEDs produce more heat than single LEDs, contributing to shorter lifespans if always used at full intensity. The average LED lifespan is 40,000 to 50,000 hours. To extend LED lifespan, maintain proper ventilation around the product and limit the product's overall intensity.

Safety Notes

Read all the following safety notes before working with this product. These notes contain important information about the installation, usage, and maintenance of this product.



This product contains no user-serviceable parts. Any reference to servicing in this User Manual will only apply to properly trained, certified technicians. Do not open the housing or attempt any repairs.



All applicable local codes and regulations apply to proper installation of this product.

Personal Safety

- Avoid direct eye exposure to the light source while the product is on.
- Always disconnect the product from the power source before cleaning or replacing the fuse.
- Always connect the product to a grounded circuit to avoid the risk of electrocution.
- Do not touch the product's housing when operating because it may be very hot.

Mounting and Rigging

- This product is intended for professional use only.
- This product is for indoor use only! To prevent risk of fire or shock, do not expose this product to rain or moisture. (IP20)
- CAUTION: When transferring product from extreme temperature environments, (e.g. cold truck to warm humid ballroom) condensation may form on the internal electronics of the product. To avoid causing a failure, allow product to fully acclimate to the surrounding environment before connecting it to power.
- Mount this product in a location with adequate ventilation, at least 20 in (50 cm) from adjacent surfaces.
- This product should be positioned so that prolonged staring into it at a distance closer than 11.5 ft (3.5 m) is not expected.
- Make sure there are no flammable materials close to this product while it is operating.
- When hanging this product, always secure to a fastening device using a safety cable.
- Never carry the product by the power cable.

Power and Wiring

- Make sure the power cable is not crimped or damaged.
- Always make sure you are connecting this product to the proper voltage in accordance with the specifications in this manual or on the product's specification label.
- To eliminate unnecessary wear and improve its lifespan, during periods of non-use completely disconnect the product from power via breaker or by unplugging it.
- Never connect this product to a dimmer pack or rheostat.
- Make sure to replace the fuse with another of the same type and rating.
- Never disconnect this product by pulling or tugging on the power cable.
- If the external flexible cable or cord of this product is damaged, it shall be replaced with a special cable or cord exclusively available from the manufacturer or its service agent.
- The light source contained in this product shall only be replaced by the manufacturer, its service agent, or a similarly qualified person.

Operation

- Do not operate this product if there is damage on the housing, lenses, or cables. Have the damaged parts replaced by an authorized technician at once.
- Do not cover the ventilation slots when operating to avoid internal overheating.
- The maximum ambient temperature is 113 °F (45 °C). Do not operate the product at higher temperatures.
- The minimum startup temperature is -4°F (-20°C). Do not start the product at lower temperatures.
- The minimum ambient temperature is -22°F (-30°C). Do not operate the product at lower temperatures.
- In the event of a serious operation problem, stop using this product immediately!



If your Chauvet product requires service, contact Chauvet Technical Support.

2. Introduction

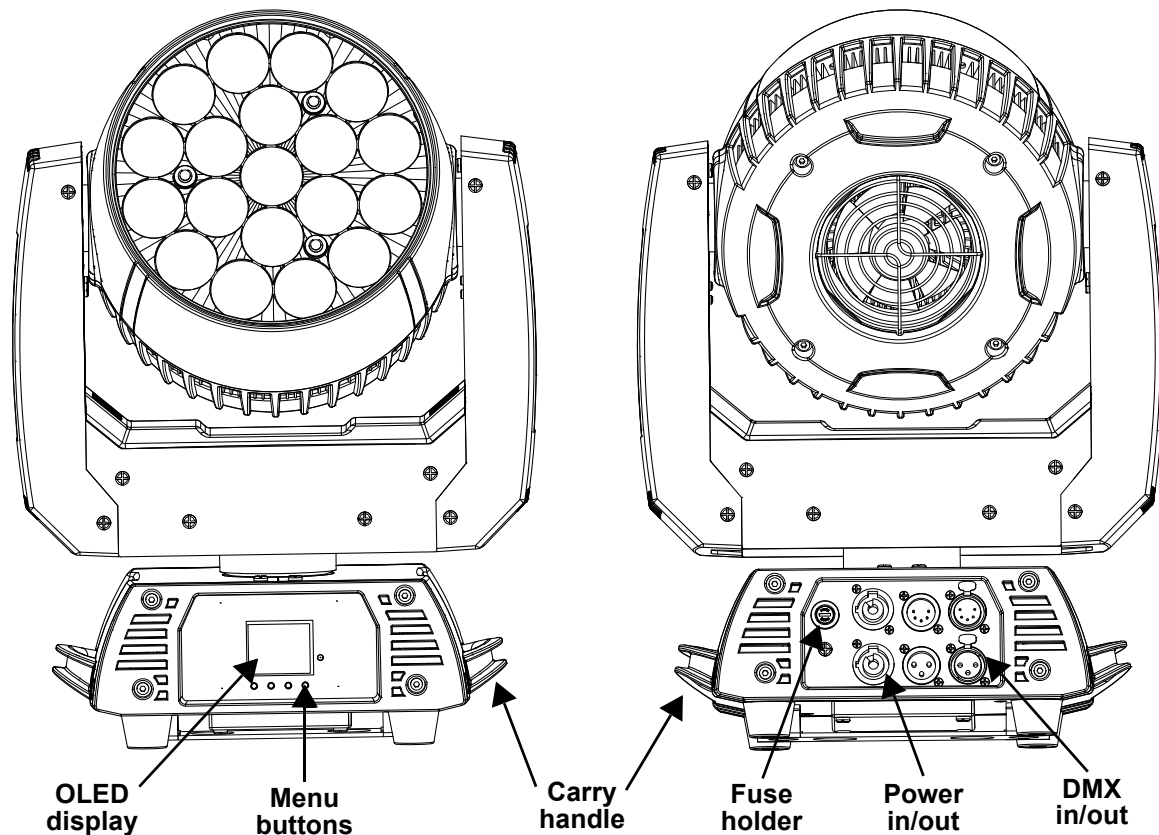
Description

The Rogue R2X Wash VW is a variable white version of the industry-leading Rogue R2X Wash. Ideal for broadcast and exhibition markets, this versatile unit is capable of rendering nearly any temperature of white ranging from 2600 to 6075K. The Rogue R2X Wash VW uses 19 (25 W) Warm White and Cool White LEDs, offering five zones of LED control for pixel-mapping effects, as well as built-in automated programs. The versatile zoom range of 8.2° to 63° and unique lens design allows for full coverage in even the widest of areas. Control your way via DMX or RDM.

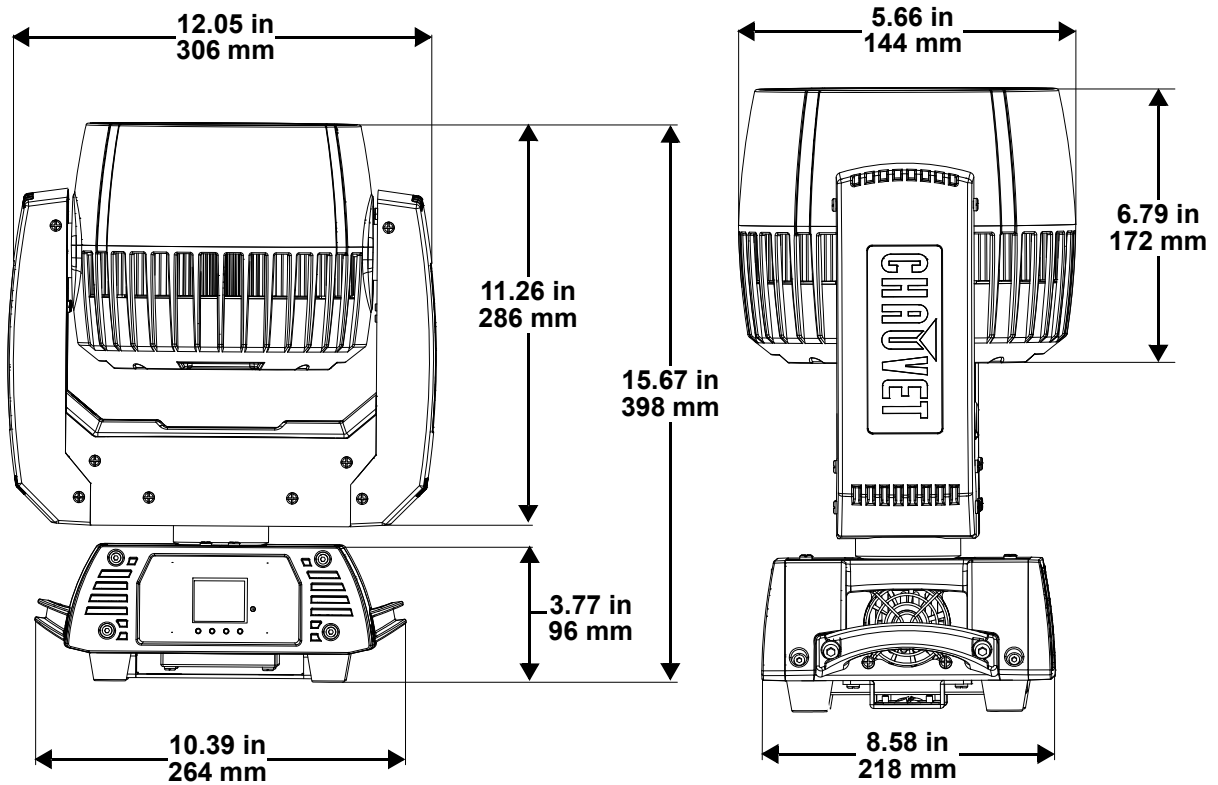
Features

- Fully featured variable white LED yoke wash fixture with LED zone control and zoom
- 16-bit dimming of master dimmer and individual colors for smooth control of fades
- 19 variable white LEDs, 25 W each
- 3- and 5-pin DMX input/output connections
- 5 zones of LED control for pixel mapping control
- Unique lens design for excellent blending
- Fast, smooth pan and tilt movement
- Built-in color temperature presets from 2800 K to 6000 K
- RDM-enabled for remote addressing and troubleshooting
- 6 distinct dimming modes for advanced control
- Omega mounting bracket, fits all Rogue and Maverick fixtures
- Easy-to-read OLED display with simple, effective menu options
- Simple and complex DMX channel profiles for programming versatility

Product Overview



Product Dimensions



3. Setup

AC Power

The Rogue R2X Wash VW has an auto-ranging power supply and it can work with an input voltage range of 100 to 240 VAC, 50/60 Hz.

To determine the product's power requirements (circuit breaker, power outlet, and wiring), use the current value listed on the label affixed to the product's back panel, or refer to the product's specifications chart. The listed current rating indicates the product's average current draw under normal conditions.



- **Always connect the product to a protected circuit (a circuit breaker or fuse). Make sure the product has an appropriate electrical ground to avoid the risk of electrocution or fire.**
- **To eliminate unnecessary wear and improve its lifespan, during periods of non-use completely disconnect the product from power via breaker or by unplugging it.**



Never connect the product to a rheostat (variable resistor) or dimmer circuit, even if the rheostat or dimmer channel serves only as a 0 to 100% switch.

AC Plug

The Rogue R2X Wash VW comes with a power input cable terminated with a Neutrik® powerCON® A connector on one end and an Edison plug on the other end (U.S. market). If the power input cable that came with your product has no plug, or if you need to change the plug, use the table below to wire the new plug.

Connection	Wire (U.S.)	Wire (Europe)	Screw Color
AC Live	Black	Brown	Yellow or Brass
AC Neutral	White	Blue	Silver
AC Ground	Green/Yellow	Green/Yellow	Green

Power Linking

The product supports power linking of up to 3 Rogue R2X Wash VW products at 100 V, up to 4 products at 120 V, up to 7 products at 208, or up to 8 products at 230 or 240 V. This product comes with a power input cable. Power-linking cables are available for purchase from Chauvet.

Fuse Replacement

1. Disconnect this product from the power outlet.
2. Using a flat-head screwdriver, unscrew the fuse holder cap from the housing.
3. Remove the blown fuse and replace with another fuse of the same type and rating (F 5 A, 250 V).
4. Screw the fuse holder cap back in place and reconnect power.

Remote Device Management (RDM)

Remote Device Management, or RDM, is a standard for allowing DMX-enabled devices to communicate bi-directionally along existing DMX cabling. Check the DMX controller's User Manual or with the manufacturer as not all DMX controllers have this capability. The Rogue R2X Wash VW supports RDM protocol that allows feedback to make changes to menu map options.

Mounting

Before mounting the product, read and follow the safety recommendations indicated in the [Safety Notes](#). For our CHAUVET Professional line of mounting clamps, go to <http://trusst.com/products/>.

Orientation

Always mount this product in a safe position, making sure there is adequate room for ventilation, configuration, and maintenance.

Rigging

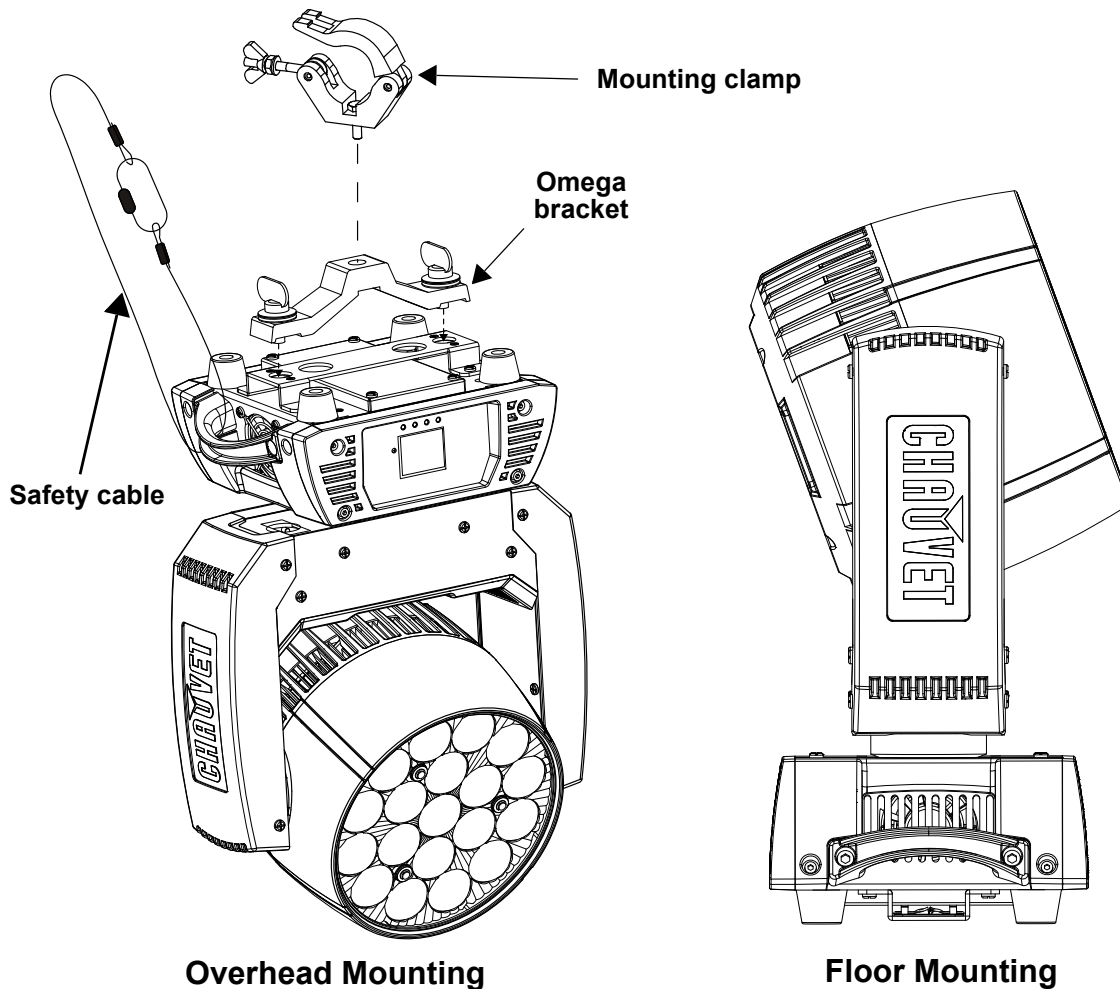
Chauvet recommends using the following general guidelines when mounting this product.

- Before deciding on a location for the product, make sure there is easy access to the product for maintenance and programming purposes.
- Make sure that the structure onto which you are mounting the product can support the product's weight. See the [Technical Specifications](#) for weight information.
- When mounting the product overhead, always use a safety cable. Mount the product securely to a rigging point, whether an elevated platform or a truss.
- When rigging the product onto a truss, use a mounting clamp of appropriate weight capacity.

Procedure

The Rogue R2X Wash VW comes with a bracket to which you can attach a mounting clamp directly. Mounting clamps are sold separately. Make sure the clamps are capable of supporting the weight of this product. Use at least two mounting points per product. For the CHAUVET Professional line of mounting clamps, go to <http://www.trusst.com/products>.

Mounting Diagram



4. Operation

Control Panel Description

Button	Function
<MENU>	Exits from the current menu or function
<UP>	Enables the currently displayed menu or sets the currently selected value in to the current function
<DOWN>	Navigates upward through the menu list or increases the numeric value when in a function
<ENTER>	Navigates downward through the menu list or decreases the numeric value when in a function

Control Options

Set the Rogue R2X Wash VW starting address in the 001–512 DMX range. This enables control of up to 9 products in the 36-channel personality.

Programming

Refer to the Menu Map to understand the menu options. The menu map shows the main level and a variable number of programming levels for each option.

- To go to the desired main level, press <MENU> repeatedly until the option shows on the display. Press <ENTER> to select. This will take you to the first programming level for that option.
- To select an option or value within the current programming level, press <UP> or <DOWN> until the option shows on the display. Press <ENTER> to select. In this case, if there is another programming level, you will see that first option, or you will see the selected value.
- Press <MENU> repeatedly to exit to the previous main level.

Configuration (DMX)

Use control configurations to operate the product with a DMX controller.

Control Personalities

To set the control personality:

1. Go to the **Run Mode** main level.
2. Select the **DMX** option.
3. Select the desired personality, from **15CH**, **18CH**, **23CH**, **23CH MS**, **34CH**, **36CH**, or **36CH MS**.
 - See the [Starting Address](#) section for the highest starting address you can select for each personality.
 - Make sure that the starting addresses on the various products do not overlap due to the new personality setting.



Starting Address

Each product will respond to a unique starting address from the controller. All products with the same starting address will respond in unison. To set the starting address:

1. Go to the **Address** main level.
2. Select the starting address (**001–512**).
 - The highest recommended starting address for **15CH** is **497**.
 - The highest recommended starting address for **18CH** is **494**.
 - The highest recommended starting address for **23CH** is **489**.
 - The highest recommended starting address for **34CH** is **478**.
 - The highest recommended starting address for **36CH** is **476**.

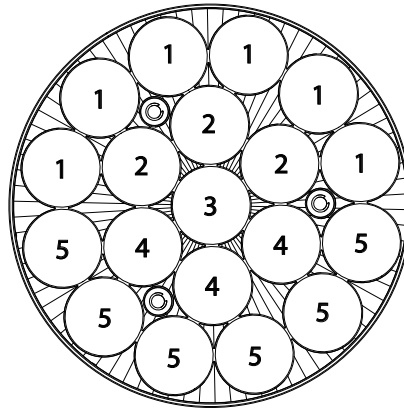
Menu Map

Refer to the Rogue R2X Wash VW product page on www.chauvetprofessional.com for the latest menu map.

Main Level	Programming Levels		Description	
Address	001–512		Sets the starting address	
Run Mode	DMX	15CH	Selects the DMX personality	
		18CH		
		23CH		
		23CH MS		
		34CH		
		36CH		
		36CH MS		
		Auto Test		Auto test all functions
	Manual Test	Pan	000–255	Manually control and test all settings through the control panel
		Tilt		
Dimmer				
Shutter				
Warm white				
Cool white				
	Zoom			
Setup	Pan	Reverse	OFF	Normal pan
			ON	Reversed pan
	Tilt	Reverse	OFF	Normal tilt
			ON	Reversed tilt
	Pan Angle		540	540° pan range
			360	360° pan range
			180	180° pan range
	Tilt Angle		230	230° tilt range
			180	180° tilt range
			90	90° tilt range
	Fans		Auto	Fan speed according to product temperature
			Full	Fan speed set on high
	Display		OFF	Display turns off after 30 seconds of inactivity
			ON	Display remains on
	Screen Rev		OFF	Normal display
			ON	Inverted display
	Dimmer Curve		Linear	Set the dimmer curve
			Square	
		I Squa		
		SCurve		
Dimmer Speed		Smooth	Smooth dimmer speed	
		Fast	Fast dimmer speed	

Main Level	Programming Levels		Description	
Setup (cont.)	PWM Option	600Hz	Sets the PWM frequency	
		1200Hz		
		2000Hz		
		4000Hz		
		6000Hz		
		15000Hz		
	Color Calibration	ON		Uses factory default white balance
		OFF		Turns off white balance
		Custom		Customizes white balance
	Reset Function	Pan/Tilt	NO	Reset individual functions or all functions from start-up
			YES	
Zoom		NO		
		YES		
All	NO			
	YES			
Factory Set			Reset to factory default settings	
Sys Info	System Information	Ver	V_	Shows firmware version
		Running Mode	---	Shows current running mode
		DMX Address	---	Shows current starting address
		Temperature	---	Shows current product temperature in °C
		Fixture Time	-----	Shows number of hours product has been powered on

DMX Values



36CH

Channel	Function	Value	Percent/Setting
1	Pan	000 ⇔ 255	0–100%
2	Pan fine	000 ⇔ 255	Fine control (16-bit)
3	Tilt	000 ⇔ 255	0–100%
4	Tilt fine	000 ⇔ 255	Fine control (16-bit)
5	Pan/tilt speed	000 ⇔ 255	Fast to slow
6	Dimmer	000 ⇔ 255	0–100%
7	Dimmer fine	000 ⇔ 255	Fine control (16-bit)
8	Strobe	000 ⇔ 019	Off
		020 ⇔ 024	On
		025 ⇔ 064	Strobe, fast to slow
		065 ⇔ 069	On
		070 ⇔ 084	Fast on, slow off (fast to slow)
		085 ⇔ 089	On
		090 ⇔ 104	Slow on, fast off (fast to slow)
		105 ⇔ 109	On
		110 ⇔ 124	Random strobe, fast to slow
		125 ⇔ 129	On
		130 ⇔ 144	Random fast on, slow off (fast to slow)
		145 ⇔ 149	On
		150 ⇔ 164	Random slow on, fast off (fast to slow)
		165 ⇔ 169	On
170 ⇔ 184	Pulse strobe, fast to slow		
184 ⇔ 189	On		
190 ⇔ 204	Random pulse strobe, fast to slow		
205 ⇔ 209	On		
210 ⇔ 224	Fade on and off (fast to slow)		
225 ⇔ 229	On		
230 ⇔ 244	Pulse strobe, fast to slow		
245 ⇔ 255	On		
9	Warm white 1	000 ⇔ 255	0–100%
10	Warm white 1 fine	000 ⇔ 255	Fine control (16-bit)
11	Cool white 1	000 ⇔ 255	0–100%
12	Cool white 1 fine	000 ⇔ 255	Fine control (16-bit)
13	Warm white 2	000 ⇔ 255	0–100%
14	Warm white 2 fine	000 ⇔ 255	Fine control (16-bit)
15	Cool white 2	000 ⇔ 255	0–100%

Operation

Channel	Function	Value	Percent/Setting
16	Cool white 2 fine	000 ⇔ 255	Fine control (16-bit)
17	Warm white 3	000 ⇔ 255	0–100%
18	Warm white 3 fine	000 ⇔ 255	Fine control (16-bit)
19	Cool white 3	000 ⇔ 255	0–100%
20	Cool white 3 fine	000 ⇔ 255	Fine control (16-bit)
21	Warm white 4	000 ⇔ 255	0–100%
22	Warm white 4 fine	000 ⇔ 255	Fine control (16-bit)
23	Cool white 4	000 ⇔ 255	0–100%
24	Cool white 4 fine	000 ⇔ 255	Fine control (16-bit)
25	Warm white 5	000 ⇔ 255	0–100%
26	Warm white 5 fine	000 ⇔ 255	Fine control (16-bit)
27	Cool white 5	000 ⇔ 255	0–100%
28	Cool white 5 fine	000 ⇔ 255	Fine control (16-bit)
29	Color temperature	000 ⇔ 004	No function
		005 ⇔ 019	3200K
		020 ⇔ 040	3600K
		041 ⇔ 060	3800K
		061 ⇔ 080	4000K
		081 ⇔ 100	4600K
		101 ⇔ 120	4800K
		121 ⇔ 140	5000K
		141 ⇔ 160	5200K
		161 ⇔ 180	5400K
		181 ⇔ 200	5600K
		201 ⇔ 220	5800K
		221 ⇔ 240	6000K
241 ⇔ 255	No function		

Channel	Function	Value	Percent/Setting
30	Zone selection	000 ⇔ 007	Zone 1, 2, 3, 4, 5
		008 ⇔ 015	Zone 2, 3, 4, 5
		016 ⇔ 023	Zone 3, 4, 5
		024 ⇔ 031	Zone 4, 5
		032 ⇔ 039	Zone 5
		040 ⇔ 047	No function
		048 ⇔ 055	Zone 1
		056 ⇔ 063	Zone 1, 2
		064 ⇔ 071	Zone 1, 2, 3
		072 ⇔ 079	Zone 1, 2, 3, 4
		080 ⇔ 087	Zone 1, 2, 3, 4, 5
		088 ⇔ 095	Zone 1
		096 ⇔ 103	Zone 2
		104 ⇔ 111	Zone 3
		112 ⇔ 119	Zone 4
		120 ⇔ 127	Zone 5
		128 ⇔ 135	Zone 1, 2
		136 ⇔ 143	Zone 2, 3
		144 ⇔ 151	Zone 3, 4
		152 ⇔ 159	Zone 4, 5
		160 ⇔ 167	Zone 1, 5
		168 ⇔ 175	Zone 1, 2, 3
		176 ⇔ 183	Zone 2, 3, 4
		184 ⇔ 191	Zone 3, 4, 5
		192 ⇔ 199	Zone 1, 4, 5
		200 ⇔ 207	Zone 1, 2, 5
		208 ⇔ 215	Zone 1, 2, 3, 4
		216 ⇔ 223	Zone 2, 3, 4, 5
		224 ⇔ 231	Zone 1, 3, 4, 5
		232 ⇔ 239	Zone 1, 2, 4, 5
240 ⇔ 247	Zone 1, 2, 3, 5		
248 ⇔ 255	Zone 1, 2, 3, 4, 5		

Channel	Function	Value	Percent/Setting
31	Programs	000 ⇔ 015	No function
		016 ⇔ 020	Program 1
		021 ⇔ 025	Program 2
		026 ⇔ 030	Program 3
		031 ⇔ 035	Program 4
		036 ⇔ 040	Program 5
		041 ⇔ 045	Program 6
		046 ⇔ 050	Program 7
		051 ⇔ 055	Program 8
		056 ⇔ 060	Program 9
		061 ⇔ 065	Program 10
		066 ⇔ 070	Program 11
		071 ⇔ 075	Program 12
		076 ⇔ 080	Program 13
		081 ⇔ 085	Program 14
		086 ⇔ 090	Program 15
		091 ⇔ 095	Program 16
		096 ⇔ 100	Program 17
		101 ⇔ 105	Program 18
		106 ⇔ 110	Program 19
		111 ⇔ 115	Program 20
		116 ⇔ 120	Program 21
		121 ⇔ 125	Program 22
		126 ⇔ 130	Program 23
		131 ⇔ 135	Program 24
		136 ⇔ 140	Program 25
		141 ⇔ 145	Program 26
		146 ⇔ 150	Program 27
		151 ⇔ 155	Program 28
		156 ⇔ 160	Program 29
		161 ⇔ 165	Program 30
		166 ⇔ 170	Program 31
		171 ⇔ 175	Program 32
		176 ⇔ 180	Program 33
		181 ⇔ 185	Program 34
		186 ⇔ 190	Program 35
		191 ⇔ 195	Program 36
		196 ⇔ 200	Program 37
		201 ⇔ 205	Program 38
		206 ⇔ 210	Program 39
		211 ⇔ 215	Program 40
		216 ⇔ 220	Program 41
		221 ⇔ 225	Program 42
		226 ⇔ 230	Program 43
		231 ⇔ 235	Program 44
		236 ⇔ 240	Program 45
		241 ⇔ 245	Program 46
		246 ⇔ 250	Program 47
251 ⇔ 255	Program 48		
32	Auto speed	000 ⇔ 255	0–100%

Channel	Function	Value	Percent/Setting
33	Movement macros	000 ⇔ 007	No function
		008 ⇔ 023	Movement macro 1
		024 ⇔ 039	Movement macro 2
		040 ⇔ 055	Movement macro 3
		056 ⇔ 071	Movement macro 4
		072 ⇔ 087	Movement macro 5
		088 ⇔ 103	Movement macro 6
		104 ⇔ 119	Movement macro 7
		120 ⇔ 135	Movement macro 8
		136 ⇔ 151	Movement macro 9
		152 ⇔ 167	Movement macro 10
		168 ⇔ 183	Movement macro 11
		184 ⇔ 199	Movement macro 12
		200 ⇔ 215	Movement macro 13
		216 ⇔ 231	Movement macro 14
		232 ⇔ 247	Movement macro 15
248 ⇔ 255	Movement macro 16		
34	Movement macro speed	000 ⇔ 255	Movement macro speed, fast to slow
35	Zoom	000 ⇔ 255	0–100%
36	Control (5 second activation delay)	000 ⇔ 009	No function
		010 ⇔ 014	Blackout during pan/tilt
		015 ⇔ 049	No function
		050 ⇔ 054	Pan reset
		055 ⇔ 059	Tilt reset
		060 ⇔ 064	Zoom reset
		065 ⇔ 069	No function
		070 ⇔ 074	Reset all
		075 ⇔ 079	No function
		080 ⇔ 084	Reverse pan and tilt movement
		085 ⇔ 089	Reverse pan movement
		090 ⇔ 094	Reverse tilt movement
		095 ⇔ 099	Normal pan movement
		100 ⇔ 104	Normal tilt movement
		105 ⇔ 109	Normal pan and tilt movement
		110 ⇔ 124	No function
		125 ⇔ 129	Fan full speed
		130 ⇔ 134	Fan auto speed
		135 ⇔ 139	Fast dimmer curve
		140 ⇔ 144	Smooth dimmer curve
145 ⇔ 255	No function		

Operation

36CH MS

Channel	Function	Value	Percent/Setting
1	Pan	000 ⇔ 255	0–100%
2	Pan fine	000 ⇔ 255	Fine control (16-bit)
3	Tilt	000 ⇔ 255	0–100%
4	Tilt fine	000 ⇔ 255	Fine control (16-bit)
5	Pan/tilt speed	000 ⇔ 255	Fast to slow
6	Dimmer	000 ⇔ 255	0–100%
7	Dimmer fine	000 ⇔ 255	Fine control (16-bit)
8	Strobe	000 ⇔ 019	Off
		020 ⇔ 024	On
		025 ⇔ 064	Strobe, fast to slow
		065 ⇔ 069	On
		070 ⇔ 084	Fast on, slow off (fast to slow)
		085 ⇔ 089	On
		090 ⇔ 104	Slow on, fast off (fast to slow)
		105 ⇔ 109	On
		110 ⇔ 124	Random strobe, fast to slow
		125 ⇔ 129	On
		130 ⇔ 144	Random fast on, slow off (fast to slow)
		145 ⇔ 149	On
		150 ⇔ 164	Random slow on, fast off (fast to slow)
		165 ⇔ 169	On
		170 ⇔ 184	Pulse strobe, fast to slow
		184 ⇔ 189	On
		190 ⇔ 204	Random pulse strobe, fast to slow
205 ⇔ 209	On		
210 ⇔ 224	Slow on, slow off (fast to slow)		
225 ⇔ 229	On		
230 ⇔ 244	Pulse strobe, fast to slow		
245 ⇔ 255	On		
9	Color temperature	000 ⇔ 004	No function
		005 ⇔ 019	3200K
		020 ⇔ 040	3600K
		041 ⇔ 060	3800K
		061 ⇔ 080	4000K
		081 ⇔ 100	4600K
		101 ⇔ 120	4800K
		121 ⇔ 140	5000K
		141 ⇔ 160	5200K
		161 ⇔ 180	5400K
		181 ⇔ 200	5600K
		201 ⇔ 220	5800K
		221 ⇔ 240	6000K
		241 ⇔ 255	No function

Channel	Function	Value	Percent/Setting
10	Zone Selection	000 ⇔ 007	Zone 1, 2, 3, 4, 5
		008 ⇔ 015	Zone 2, 3, 4, 5
		016 ⇔ 023	Zone 3, 4, 5
		024 ⇔ 031	Zone 4, 5
		032 ⇔ 039	Zone 5
		040 ⇔ 047	No function
		048 ⇔ 055	Zone 1
		056 ⇔ 063	Zone 1, 2
		064 ⇔ 071	Zone 1, 2, 3
		072 ⇔ 079	Zone 1, 2, 3, 4
		080 ⇔ 087	Zone 1, 2, 3, 4, 5
		088 ⇔ 095	Zone 1
		096 ⇔ 103	Zone 2
		104 ⇔ 111	Zone 3
		112 ⇔ 119	Zone 4
		120 ⇔ 127	Zone 5
		128 ⇔ 135	Zone 1, 2
		136 ⇔ 143	Zone 2, 3
		144 ⇔ 151	Zone 3, 4
		152 ⇔ 159	Zone 4, 5
		160 ⇔ 167	Zone 1, 5
		168 ⇔ 175	Zone 1, 2, 3
		176 ⇔ 183	Zone 2, 3, 4
		184 ⇔ 191	Zone 3, 4, 5
		192 ⇔ 199	Zone 1, 4, 5
		200 ⇔ 207	Zone 1, 2, 5
		208 ⇔ 215	Zone 1, 2, 3, 4
		216 ⇔ 223	Zone 2, 3, 4, 5
		224 ⇔ 231	Zone 1, 3, 4, 5
		232 ⇔ 239	Zone 1, 2, 4, 5
240 ⇔ 247	Zone 1, 2, 3, 5		
248 ⇔ 255	Zone 1, 2, 3, 4, 5		

Channel	Function	Value	Percent/Setting
11	Programs	000 ⇔ 015	No function
		016 ⇔ 020	Program 1
		021 ⇔ 025	Program 2
		026 ⇔ 030	Program 3
		031 ⇔ 035	Program 4
		036 ⇔ 040	Program 5
		041 ⇔ 045	Program 6
		046 ⇔ 050	Program 7
		051 ⇔ 055	Program 8
		056 ⇔ 060	Program 9
		061 ⇔ 065	Program 10
		066 ⇔ 070	Program 11
		071 ⇔ 075	Program 12
		076 ⇔ 080	Program 13
		081 ⇔ 085	Program 14
		086 ⇔ 090	Program 15
		091 ⇔ 095	Program 16
		096 ⇔ 100	Program 17
		101 ⇔ 105	Program 18
		106 ⇔ 110	Program 19
		111 ⇔ 115	Program 20
		116 ⇔ 120	Program 21
		121 ⇔ 125	Program 22
		126 ⇔ 130	Program 23
		131 ⇔ 135	Program 24
		136 ⇔ 140	Program 25
		141 ⇔ 145	Program 26
		146 ⇔ 150	Program 27
		151 ⇔ 155	Program 28
		156 ⇔ 160	Program 29
		161 ⇔ 165	Program 30
		166 ⇔ 170	Program 31
		171 ⇔ 175	Program 32
		176 ⇔ 180	Program 33
		181 ⇔ 185	Program 34
		186 ⇔ 190	Program 35
		191 ⇔ 195	Program 36
		196 ⇔ 200	Program 37
		201 ⇔ 205	Program 38
		206 ⇔ 210	Program 39
		211 ⇔ 215	Program 40
		216 ⇔ 220	Program 41
		221 ⇔ 225	Program 42
		226 ⇔ 230	Program 43
		231 ⇔ 235	Program 44
		236 ⇔ 240	Program 45
		241 ⇔ 245	Program 46
		246 ⇔ 250	Program 47
251 ⇔ 255	Program 48		
12	Auto speed	000 ⇔ 255	0–100%

Channel	Function	Value	Percent/Setting
13	Movement macros	000 ⇔ 007	No function
		008 ⇔ 023	Movement macro 1
		024 ⇔ 039	Movement macro 2
		040 ⇔ 055	Movement macro 3
		056 ⇔ 071	Movement macro 4
		072 ⇔ 087	Movement macro 5
		088 ⇔ 103	Movement macro 6
		104 ⇔ 119	Movement macro 7
		120 ⇔ 135	Movement macro 8
		136 ⇔ 151	Movement macro 9
		152 ⇔ 167	Movement macro 10
		168 ⇔ 183	Movement macro 11
		184 ⇔ 199	Movement macro 12
		200 ⇔ 215	Movement macro 13
		216 ⇔ 231	Movement macro 14
		232 ⇔ 247	Movement macro 15
248 ⇔ 255	Movement macro 16		
14	Movement macro speed	000 ⇔ 255	Movement macro speed, fast to slow
15	Zoom	000 ⇔ 255	0–100%
16	Control (5 second activation delay)	000 ⇔ 009	No function
		010 ⇔ 014	Blackout during pan/tilt
		015 ⇔ 049	No function
		050 ⇔ 054	Pan reset
		055 ⇔ 059	Tilt reset
		060 ⇔ 064	Zoom reset
		065 ⇔ 069	No function
		070 ⇔ 074	Reset all
		075 ⇔ 079	No function
		080 ⇔ 084	Reverse pan and tilt movement
		085 ⇔ 089	Reverse pan movement
		090 ⇔ 094	Reverse tilt movement
		095 ⇔ 099	Normal pan movement
		100 ⇔ 104	Normal tilt movement
		105 ⇔ 109	Normal pan and tilt movement
		110 ⇔ 124	No function
		125 ⇔ 129	Fan full speed
130 ⇔ 134	Fan auto speed		
135 ⇔ 139	Fast dimmer curve		
140 ⇔ 144	Smooth dimmer curve		
145 ⇔ 255	No function		
17	Warm white 1	000 ⇔ 255	0–100%
18	Warm white 1 fine	000 ⇔ 255	Fine control (16-bit)
19	Cool white 1	000 ⇔ 255	0–100%
20	Cool white 1 fine	000 ⇔ 255	Fine control (16-bit)
21	Warm white 2	000 ⇔ 255	0–100%
22	Warm white 2 fine	000 ⇔ 255	Fine control (16-bit)
23	Cool white 2	000 ⇔ 255	0–100%
24	Cool white 2 fine	000 ⇔ 255	Fine control (16-bit)
25	Warm white 3	000 ⇔ 255	0–100%
26	Warm white 3 fine	000 ⇔ 255	Fine control (16-bit)
27	Cool white 3	000 ⇔ 255	0–100%

Operation

Channel	Function	Value	Percent/Setting
28	Cool white 3 fine	000 ⇔ 255	Fine control (16-bit)
29	Warm white 4	000 ⇔ 255	0–100%
30	Warm white 4 fine	000 ⇔ 255	Fine control (16-bit)
31	Cool white 4	000 ⇔ 255	0–100%
32	Cool white 4 fine	000 ⇔ 255	Fine control (16-bit)
33	Warm white 5	000 ⇔ 255	0–100%
34	Warm white 5 fine	000 ⇔ 255	Fine control (16-bit)
35	Cool white 5	000 ⇔ 255	0–100%
36	Cool white 5 fine	000 ⇔ 255	Fine control (16-bit)

34CH

Channel	Function	Value	Percent/Setting
1	Pan	000 ⇔ 255	0–100%
2	Pan fine	000 ⇔ 255	Fine control (16-bit)
3	Tilt	000 ⇔ 255	0–100%
4	Tilt fine	000 ⇔ 255	Fine control (16-bit)
5	Pan/tilt speed	000 ⇔ 255	Fast to slow
6	Dimmer	000 ⇔ 255	0–100%
7	Dimmer fine	000 ⇔ 255	Fine control (16-bit)
8	Strobe	000 ⇔ 019	Off
		020 ⇔ 024	On
		025 ⇔ 064	Strobe, fast to slow
		065 ⇔ 069	On
		070 ⇔ 084	Fast on, slow off (fast to slow)
		085 ⇔ 089	On
		090 ⇔ 104	Slow on, fast off (fast to slow)
		105 ⇔ 109	On
		110 ⇔ 124	Random strobe, fast to slow
		125 ⇔ 129	On
		130 ⇔ 144	Random fast on, slow off (fast to slow)
		145 ⇔ 149	On
		150 ⇔ 164	Random slow on, fast off (fast to slow)
		165 ⇔ 169	On
		170 ⇔ 184	Pulse strobe, fast to slow
		184 ⇔ 189	On
190 ⇔ 204	Random pulse strobe, fast to slow		
205 ⇔ 209	On		
210 ⇔ 224	Slow on, slow off (fast to slow)		
225 ⇔ 229	On		
230 ⇔ 244	Pulse strobe, fast to slow		
245 ⇔ 255	On		
9	Warm white 1	000 ⇔ 255	0–100%
10	Warm white 1 fine	000 ⇔ 255	Fine control (16-bit)
11	Cool white 1	000 ⇔ 255	0–100%
12	Cool white 1 fine	000 ⇔ 255	Fine control (16-bit)
13	Warm white 2	000 ⇔ 255	0–100%
14	Warm white 2 fine	000 ⇔ 255	Fine control (16-bit)
15	Cool white 2	000 ⇔ 255	0–100%
16	Cool white 2 fine	000 ⇔ 255	Fine control (16-bit)
17	Warm white 3	000 ⇔ 255	0–100%

Channel	Function	Value	Percent/Setting
18	Warm white 3 fine	000 ⇔ 255	Fine control (16-bit)
19	Cool white 3	000 ⇔ 255	0–100%
20	Cool white 3 fine	000 ⇔ 255	Fine control (16-bit)
21	Warm white 4	000 ⇔ 255	0–100%
22	Warm white 4 fine	000 ⇔ 255	Fine control (16-bit)
23	Cool white 4	000 ⇔ 255	0–100%
24	Cool white 4 fine	000 ⇔ 255	Fine control (16-bit)
25	Warm white 5	000 ⇔ 255	0–100%
26	Warm white 5 fine	000 ⇔ 255	Fine control (16-bit)
27	Cool white 5	000 ⇔ 255	0–100%
28	Cool white 5 fine	000 ⇔ 255	Fine control (16-bit)
29	Color temperature	000 ⇔ 004	No function
		005 ⇔ 019	3200K
		020 ⇔ 040	3600K
		041 ⇔ 060	3800K
		061 ⇔ 080	4000K
		081 ⇔ 100	4600K
		101 ⇔ 120	4800K
		121 ⇔ 140	5000K
		141 ⇔ 160	5200K
		161 ⇔ 180	5400K
		181 ⇔ 200	5600K
		201 ⇔ 220	5800K
		221 ⇔ 240	6000K
241 ⇔ 255	No function		

Operation

Channel	Function	Value	Percent/Setting
30	Zone Selection	000 ⇔ 007	Zone 1, 2, 3, 4, 5
		008 ⇔ 015	Zone 2, 3, 4, 5
		016 ⇔ 023	Zone 3, 4, 5
		024 ⇔ 031	Zone 4, 5
		032 ⇔ 039	Zone 5
		040 ⇔ 047	No function
		048 ⇔ 055	Zone 1
		056 ⇔ 063	Zone 1, 2
		064 ⇔ 071	Zone 1, 2, 3
		072 ⇔ 079	Zone 1, 2, 3, 4
		080 ⇔ 087	Zone 1, 2, 3, 4, 5
		088 ⇔ 095	Zone 1
		096 ⇔ 103	Zone 2
		104 ⇔ 111	Zone 3
		112 ⇔ 119	Zone 4
		120 ⇔ 127	Zone 5
		128 ⇔ 135	Zone 1, 2
		136 ⇔ 143	Zone 2, 3
		144 ⇔ 151	Zone 3, 4
		152 ⇔ 159	Zone 4, 5
		160 ⇔ 167	Zone 1, 5
		168 ⇔ 175	Zone 1, 2, 3
		176 ⇔ 183	Zone 2, 3, 4
		184 ⇔ 191	Zone 3, 4, 5
		192 ⇔ 199	Zone 1, 4, 5
		200 ⇔ 207	Zone 1, 2, 5
		208 ⇔ 215	Zone 1, 2, 3, 4
		216 ⇔ 223	Zone 2, 3, 4, 5
		224 ⇔ 231	Zone 1, 3, 4, 5
		232 ⇔ 239	Zone 1, 2, 4, 5
240 ⇔ 247	Zone 1, 2, 3, 5		
248 ⇔ 255	Zone 1, 2, 3, 4, 5		

Channel	Function	Value	Percent/Setting
31	Programs	000 ⇔ 015	No function
		016 ⇔ 020	Program 1
		021 ⇔ 025	Program 2
		026 ⇔ 030	Program 3
		031 ⇔ 035	Program 4
		036 ⇔ 040	Program 5
		041 ⇔ 045	Program 6
		046 ⇔ 050	Program 7
		051 ⇔ 055	Program 8
		056 ⇔ 060	Program 9
		061 ⇔ 065	Program 10
		066 ⇔ 070	Program 11
		071 ⇔ 075	Program 12
		076 ⇔ 080	Program 13
		081 ⇔ 085	Program 14
		086 ⇔ 090	Program 15
		091 ⇔ 095	Program 16
		096 ⇔ 100	Program 17
		101 ⇔ 105	Program 18
		106 ⇔ 110	Program 19
		111 ⇔ 115	Program 20
		116 ⇔ 120	Program 21
		121 ⇔ 125	Program 22
		126 ⇔ 130	Program 23
		131 ⇔ 135	Program 24
		136 ⇔ 140	Program 25
		141 ⇔ 145	Program 26
		146 ⇔ 150	Program 27
		151 ⇔ 155	Program 28
		156 ⇔ 160	Program 29
		161 ⇔ 165	Program 30
		166 ⇔ 170	Program 31
		171 ⇔ 175	Program 32
		176 ⇔ 180	Program 33
		181 ⇔ 185	Program 34
		186 ⇔ 190	Program 35
		191 ⇔ 195	Program 36
		196 ⇔ 200	Program 37
		201 ⇔ 205	Program 38
		206 ⇔ 210	Program 39
		211 ⇔ 215	Program 40
		216 ⇔ 220	Program 41
		221 ⇔ 225	Program 42
		226 ⇔ 230	Program 43
		231 ⇔ 235	Program 44
		236 ⇔ 240	Program 45
		241 ⇔ 245	Program 46
		246 ⇔ 250	Program 47
251 ⇔ 255	Program 48		
32	Auto speed	000 ⇔ 255	0–100%
33	Zoom	000 ⇔ 255	0–100%

Channel	Function	Value	Percent/Setting
34	Control (5 second activation delay)	000 ⇔ 009	No function
		010 ⇔ 014	Blackout during pan/tilt
		015 ⇔ 049	No function
		050 ⇔ 054	Pan reset
		055 ⇔ 059	Tilt reset
		060 ⇔ 064	Zoom reset
		065 ⇔ 069	No function
		070 ⇔ 074	Reset all
		075 ⇔ 079	No function
		080 ⇔ 084	Reverse pan and tilt movement
		085 ⇔ 089	Reverse pan movement
		090 ⇔ 094	Reverse tilt movement
		095 ⇔ 099	Normal pan movement
		100 ⇔ 104	Normal tilt movement
		105 ⇔ 109	Normal pan and tilt movement
		110 ⇔ 124	No function
		125 ⇔ 129	Fan full speed
		130 ⇔ 134	Fan auto speed
		135 ⇔ 139	Fast dimmer curve
		140 ⇔ 144	Smooth dimmer curve
145 ⇔ 255	No function		

23CH

Channel	Function	Value	Percent/Setting
1	Pan	000 ⇔ 255	0–100%
2	Pan fine	000 ⇔ 255	Fine control (16-bit)
3	Tilt	000 ⇔ 255	0–100%
4	Tilt fine	000 ⇔ 255	Fine control (16-bit)
5	Pan/tilt speed	000 ⇔ 255	Fast to slow
6	Dimmer	000 ⇔ 255	0–100%
7	Strobe	000 ⇔ 019	Off
		020 ⇔ 024	On
		025 ⇔ 064	Strobe, fast to slow
		065 ⇔ 069	On
		070 ⇔ 084	Fast on, slow off (fast to slow)
		085 ⇔ 089	On
		090 ⇔ 104	Slow on, fast off (fast to slow)
		105 ⇔ 109	On
		110 ⇔ 124	Random strobe, fast to slow
		125 ⇔ 129	On
		130 ⇔ 144	Random fast on, slow off (fast to slow)
		145 ⇔ 149	On
		150 ⇔ 164	Random slow on, fast off (fast to slow)
		165 ⇔ 169	On
		170 ⇔ 184	Pulse strobe, fast to slow
184 ⇔ 189	On		
190 ⇔ 204	Random pulse strobe, fast to slow		
205 ⇔ 209	On		
210 ⇔ 224	Slow on, slow off (fast to slow)		
225 ⇔ 229	On		
230 ⇔ 244	Pulse strobe, fast to slow		
245 ⇔ 255	On		
8	Warm white 1	000 ⇔ 255	0–100%
9	Cool white 1	000 ⇔ 255	0–100%
10	Warm white 2	000 ⇔ 255	0–100%
11	Cool white 2	000 ⇔ 255	0–100%
12	Warm white 3	000 ⇔ 255	0–100%
13	Cool white 3	000 ⇔ 255	0–100%
14	Warm white 4	000 ⇔ 255	0–100%
15	Cool white 4	000 ⇔ 255	0–100%
16	Warm white 5	000 ⇔ 255	0–100%
17	Cool white 5	000 ⇔ 255	0–100%

Operation

Channel	Function	Value	Percent/Setting
18	Color temperature	000 ⇔ 004	No function
		005 ⇔ 019	3200K
		020 ⇔ 040	3600K
		041 ⇔ 060	3800K
		061 ⇔ 080	4000K
		081 ⇔ 100	4600K
		101 ⇔ 120	4800K
		121 ⇔ 140	5000K
		141 ⇔ 160	5200K
		161 ⇔ 180	5400K
		181 ⇔ 200	5600K
		201 ⇔ 220	5800K
		221 ⇔ 240	6000K
241 ⇔ 255	No function		
19	Zone Selection	000 ⇔ 007	Zone 1, 2, 3, 4, 5
		008 ⇔ 015	Zone 2, 3, 4, 5
		016 ⇔ 023	Zone 3, 4, 5
		024 ⇔ 031	Zone 4, 5
		032 ⇔ 039	Zone 5
		040 ⇔ 047	No function
		048 ⇔ 055	Zone 1
		056 ⇔ 063	Zone 1, 2
		064 ⇔ 071	Zone 1, 2, 3
		072 ⇔ 079	Zone 1, 2, 3, 4
		080 ⇔ 087	Zone 1, 2, 3, 4, 5
		088 ⇔ 095	Zone 1
		096 ⇔ 103	Zone 2
		104 ⇔ 111	Zone 3
		112 ⇔ 119	Zone 4
		120 ⇔ 127	Zone 5
		128 ⇔ 135	Zone 1, 2
		136 ⇔ 143	Zone 2, 3
		144 ⇔ 151	Zone 3, 4
		152 ⇔ 159	Zone 4, 5
		160 ⇔ 167	Zone 1, 5
		168 ⇔ 175	Zone 1, 2, 3
		176 ⇔ 183	Zone 2, 3, 4
		184 ⇔ 191	Zone 3, 4, 5
		192 ⇔ 199	Zone 1, 4, 5
		200 ⇔ 207	Zone 1, 2, 5
		208 ⇔ 215	Zone 1, 2, 3, 4
216 ⇔ 223	Zone 2, 3, 4, 5		
224 ⇔ 231	Zone 1, 3, 4, 5		
232 ⇔ 239	Zone 1, 2, 4, 5		
240 ⇔ 247	Zone 1, 2, 3, 5		
248 ⇔ 255	Zone 1, 2, 3, 4, 5		

Channel	Function	Value	Percent/Setting
20	Programs	000 ⇔ 015	No function
		016 ⇔ 020	Program 1
		021 ⇔ 025	Program 2
		026 ⇔ 030	Program 3
		031 ⇔ 035	Program 4
		036 ⇔ 040	Program 5
		041 ⇔ 045	Program 6
		046 ⇔ 050	Program 7
		051 ⇔ 055	Program 8
		056 ⇔ 060	Program 9
		061 ⇔ 065	Program 10
		066 ⇔ 070	Program 11
		071 ⇔ 075	Program 12
		076 ⇔ 080	Program 13
		081 ⇔ 085	Program 14
		086 ⇔ 090	Program 15
		091 ⇔ 095	Program 16
		096 ⇔ 100	Program 17
		101 ⇔ 105	Program 18
		106 ⇔ 110	Program 19
		111 ⇔ 115	Program 20
		116 ⇔ 120	Program 21
		121 ⇔ 125	Program 22
		126 ⇔ 130	Program 23
		131 ⇔ 135	Program 24
		136 ⇔ 140	Program 25
		141 ⇔ 145	Program 26
		146 ⇔ 150	Program 27
		151 ⇔ 155	Program 28
		156 ⇔ 160	Program 29
		161 ⇔ 165	Program 30
		166 ⇔ 170	Program 31
		171 ⇔ 175	Program 32
		176 ⇔ 180	Program 33
		181 ⇔ 185	Program 34
		186 ⇔ 190	Program 35
		191 ⇔ 195	Program 36
		196 ⇔ 200	Program 37
		201 ⇔ 205	Program 38
		206 ⇔ 210	Program 39
		211 ⇔ 215	Program 40
		216 ⇔ 220	Program 41
		221 ⇔ 225	Program 42
		226 ⇔ 230	Program 43
		231 ⇔ 235	Program 44
		236 ⇔ 240	Program 45
		241 ⇔ 245	Program 46
		246 ⇔ 250	Program 47
251 ⇔ 255	Program 48		
21	Auto speed	000 ⇔ 255	0–100%
22	Zoom	000 ⇔ 255	0–100%

Channel	Function	Value	Percent/Setting
23	Control (5 second activation delay)	000 ⇔ 009	No function
		010 ⇔ 014	Blackout during pan/tilt
		015 ⇔ 049	No function
		050 ⇔ 054	Pan reset
		055 ⇔ 059	Tilt reset
		060 ⇔ 064	Zoom reset
		065 ⇔ 069	No function
		070 ⇔ 074	Reset all
		075 ⇔ 079	No function
		080 ⇔ 084	Reverse pan and tilt movement
		085 ⇔ 089	Reverse pan movement
		090 ⇔ 094	Reverse tilt movement
		095 ⇔ 099	Normal pan movement
		100 ⇔ 104	Normal tilt movement
		105 ⇔ 109	Normal pan and tilt movement
		110 ⇔ 124	No function
		125 ⇔ 129	Fan full speed
130 ⇔ 134	Fan auto speed		
135 ⇔ 139	Fast dimmer curve		
140 ⇔ 144	Smooth dimmer curve		
145 ⇔ 255	No function		

23CH MS

Channel	Function	Value	Percent/Setting
1	Pan	000 ⇔ 255	0–100%
2	Pan fine	000 ⇔ 255	Fine control (16-bit)
3	Tilt	000 ⇔ 255	0–100%
4	Tilt fine	000 ⇔ 255	Fine control (16-bit)
5	Pan/tilt speed	000 ⇔ 255	Fast to slow
6	Dimmer	000 ⇔ 255	0–100%
7	Strobe	000 ⇔ 019	Off
		020 ⇔ 024	On
		025 ⇔ 064	Strobe, fast to slow
		065 ⇔ 069	On
		070 ⇔ 084	Fast on, slow off (fast to slow)
		085 ⇔ 089	On
		090 ⇔ 104	Slow on, fast off (fast to slow)
		105 ⇔ 109	On
		110 ⇔ 124	Random strobe, fast to slow
		125 ⇔ 129	On
		130 ⇔ 144	Random fast on, slow off (fast to slow)
		145 ⇔ 149	On
		150 ⇔ 164	Random slow on, fast off (fast to slow)
		165 ⇔ 169	On
		170 ⇔ 184	Pulse strobe, fast to slow
		184 ⇔ 189	On
		190 ⇔ 204	Random pulse strobe, fast to slow
205 ⇔ 209	On		
210 ⇔ 224	Slow on, slow off (fast to slow)		
225 ⇔ 229	On		
230 ⇔ 244	Pulse strobe, fast to slow		
245 ⇔ 255	On		

Channel	Function	Value	Percent/Setting
8	Color temperature	000 ⇔ 004	No function
		005 ⇔ 019	3200K
		020 ⇔ 040	3600K
		041 ⇔ 060	3800K
		061 ⇔ 080	4000K
		081 ⇔ 100	4600K
		101 ⇔ 120	4800K
		121 ⇔ 140	5000K
		141 ⇔ 160	5200K
		161 ⇔ 180	5400K
		181 ⇔ 200	5600K
		201 ⇔ 220	5800K
		221 ⇔ 240	6000K
		241 ⇔ 255	No function
9	Zone Selection	000 ⇔ 007	Zone 1, 2, 3, 4, 5
		008 ⇔ 015	Zone 2, 3, 4, 5
		016 ⇔ 023	Zone 3, 4, 5
		024 ⇔ 031	Zone 4, 5
		032 ⇔ 039	Zone 5
		040 ⇔ 047	No function
		048 ⇔ 055	Zone 1
		056 ⇔ 063	Zone 1, 2
		064 ⇔ 071	Zone 1, 2, 3
		072 ⇔ 079	Zone 1, 2, 3, 4
		080 ⇔ 087	Zone 1, 2, 3, 4, 5
		088 ⇔ 095	Zone 1
		096 ⇔ 103	Zone 2
		104 ⇔ 111	Zone 3
		112 ⇔ 119	Zone 4
		120 ⇔ 127	Zone 5
		128 ⇔ 135	Zone 1, 2
		136 ⇔ 143	Zone 2, 3
		144 ⇔ 151	Zone 3, 4
		152 ⇔ 159	Zone 4, 5
		160 ⇔ 167	Zone 1, 5
		168 ⇔ 175	Zone 1, 2, 3
		176 ⇔ 183	Zone 2, 3, 4
		184 ⇔ 191	Zone 3, 4, 5
		192 ⇔ 199	Zone 1, 4, 5
		200 ⇔ 207	Zone 1, 2, 5
		208 ⇔ 215	Zone 1, 2, 3, 4
		216 ⇔ 223	Zone 2, 3, 4, 5
		224 ⇔ 231	Zone 1, 3, 4, 5
		232 ⇔ 239	Zone 1, 2, 4, 5
240 ⇔ 247	Zone 1, 2, 3, 5		
248 ⇔ 255	Zone 1, 2, 3, 4, 5		

Channel	Function	Value	Percent/Setting
10	Programs	000 ⇔ 015	No function
		016 ⇔ 020	Program 1
		021 ⇔ 025	Program 2
		026 ⇔ 030	Program 3
		031 ⇔ 035	Program 4
		036 ⇔ 040	Program 5
		041 ⇔ 045	Program 6
		046 ⇔ 050	Program 7
		051 ⇔ 055	Program 8
		056 ⇔ 060	Program 9
		061 ⇔ 065	Program 10
		066 ⇔ 070	Program 11
		071 ⇔ 075	Program 12
		076 ⇔ 080	Program 13
		081 ⇔ 085	Program 14
		086 ⇔ 090	Program 15
		091 ⇔ 095	Program 16
		096 ⇔ 100	Program 17
		101 ⇔ 105	Program 18
		106 ⇔ 110	Program 19
		111 ⇔ 115	Program 20
		116 ⇔ 120	Program 21
		121 ⇔ 125	Program 22
		126 ⇔ 130	Program 23
		131 ⇔ 135	Program 24
		136 ⇔ 140	Program 25
		141 ⇔ 145	Program 26
		146 ⇔ 150	Program 27
		151 ⇔ 155	Program 28
		156 ⇔ 160	Program 29
		161 ⇔ 165	Program 30
		166 ⇔ 170	Program 31
		171 ⇔ 175	Program 32
		176 ⇔ 180	Program 33
		181 ⇔ 185	Program 34
		186 ⇔ 190	Program 35
		191 ⇔ 195	Program 36
		196 ⇔ 200	Program 37
		201 ⇔ 205	Program 38
		206 ⇔ 210	Program 39
		211 ⇔ 215	Program 40
		216 ⇔ 220	Program 41
		221 ⇔ 225	Program 42
		226 ⇔ 230	Program 43
		231 ⇔ 235	Program 44
		236 ⇔ 240	Program 45
		241 ⇔ 245	Program 46
		246 ⇔ 250	Program 47
251 ⇔ 255	Program 48		
11	Auto speed	000 ⇔ 255	0–100%
12	Zoom	000 ⇔ 255	0–100%

Channel	Function	Value	Percent/Setting
13	Control (5 second activation delay)	000 ⇔ 009	No function
		010 ⇔ 014	Blackout during pan/tilt
		015 ⇔ 049	No function
		050 ⇔ 054	Pan reset
		055 ⇔ 059	Tilt reset
		060 ⇔ 064	Zoom reset
		065 ⇔ 069	No function
		070 ⇔ 074	Reset all
		075 ⇔ 079	No function
		080 ⇔ 084	Reverse pan and tilt movement
		085 ⇔ 089	Reverse pan movement
		090 ⇔ 094	Reverse tilt movement
		095 ⇔ 099	Normal pan movement
		100 ⇔ 104	Normal tilt movement
		105 ⇔ 109	Normal pan and tilt movement
		110 ⇔ 124	No function
		125 ⇔ 129	Fan full speed
130 ⇔ 134	Fan auto speed		
135 ⇔ 139	Fast dimmer curve		
140 ⇔ 144	Smooth dimmer curve		
145 ⇔ 255	No function		
14	Warm white 1	000 ⇔ 255	0–100%
15	Cool white 1	000 ⇔ 255	0–100%
16	Warm white 2	000 ⇔ 255	0–100%
17	Cool white 2	000 ⇔ 255	0–100%
18	Warm white 3	000 ⇔ 255	0–100%
19	Cool white 3	000 ⇔ 255	0–100%
20	Warm white 4	000 ⇔ 255	0–100%
21	Cool white 4	000 ⇔ 255	0–100%
22	Warm white 5	000 ⇔ 255	0–100%
23	Cool white 5	000 ⇔ 255	0–100%

Operation

18CH

Channel	Function	Value	Percent/Setting
1	Pan	000 ⇔ 255	0–100%
2	Pan fine	000 ⇔ 255	Fine control (16-bit)
3	Tilt	000 ⇔ 255	0–100%
4	Tilt fine	000 ⇔ 255	Fine control (16-bit)
5	Pan/tilt speed	000 ⇔ 255	Fast to slow
6	Dimmer	000 ⇔ 255	0–100%
7	Dimmer fine	000 ⇔ 255	Fine control (16-bit)
8	Strobe	000 ⇔ 019	Off
		020 ⇔ 024	On
		025 ⇔ 064	Strobe, fast to slow
		065 ⇔ 069	On
		070 ⇔ 084	Fast on, slow off (fast to slow)
		085 ⇔ 089	On
		090 ⇔ 104	Slow on, fast off (fast to slow)
		105 ⇔ 109	On
		110 ⇔ 124	Random strobe, fast to slow
		125 ⇔ 129	On
		130 ⇔ 144	Random fast on, slow off (fast to slow)
		145 ⇔ 149	On
		150 ⇔ 164	Random slow on, fast off (fast to slow)
		165 ⇔ 169	On
		170 ⇔ 184	Pulse strobe, fast to slow
		184 ⇔ 189	On
190 ⇔ 204	Random pulse strobe, fast to slow		
205 ⇔ 209	On		
210 ⇔ 224	Slow on, slow off (fast to slow)		
225 ⇔ 229	On		
230 ⇔ 244	Pulse strobe, fast to slow		
245 ⇔ 255	On		
9	Warm white	000 ⇔ 255	0–100%
10	Warm white fine	000 ⇔ 255	Fine control (16-bit)
11	Cool white	000 ⇔ 255	0–100%
12	Cool white fine	000 ⇔ 255	Fine control (16-bit)
13	Color temperature	000 ⇔ 004	No function
		005 ⇔ 019	3200K
		020 ⇔ 040	3600K
		041 ⇔ 060	3800K
		061 ⇔ 080	4000K
		081 ⇔ 100	4600K
		101 ⇔ 120	4800K
		121 ⇔ 140	5000K
		141 ⇔ 160	5200K
		161 ⇔ 180	5400K
		181 ⇔ 200	5600K
		201 ⇔ 220	5800K
		221 ⇔ 240	6000K
		241 ⇔ 255	No function

Channel	Function	Value	Percent/Setting
14	Zone Selection	000 ⇔ 007	Zone 1, 2, 3, 4, 5
		008 ⇔ 015	Zone 2, 3, 4, 5
		016 ⇔ 023	Zone 3, 4, 5
		024 ⇔ 031	Zone 4, 5
		032 ⇔ 039	Zone 5
		040 ⇔ 047	No function
		048 ⇔ 055	Zone 1
		056 ⇔ 063	Zone 1, 2
		064 ⇔ 071	Zone 1, 2, 3
		072 ⇔ 079	Zone 1, 2, 3, 4
		080 ⇔ 087	Zone 1, 2, 3, 4, 5
		088 ⇔ 095	Zone 1
		096 ⇔ 103	Zone 2
		104 ⇔ 111	Zone 3
		112 ⇔ 119	Zone 4
		120 ⇔ 127	Zone 5
		128 ⇔ 135	Zone 1, 2
		136 ⇔ 143	Zone 2, 3
		144 ⇔ 151	Zone 3, 4
		152 ⇔ 159	Zone 4, 5
		160 ⇔ 167	Zone 1, 5
		168 ⇔ 175	Zone 1, 2, 3
		176 ⇔ 183	Zone 2, 3, 4
		184 ⇔ 191	Zone 3, 4, 5
		192 ⇔ 199	Zone 1, 4, 5
		200 ⇔ 207	Zone 1, 2, 5
		208 ⇔ 215	Zone 1, 2, 3, 4
		216 ⇔ 223	Zone 2, 3, 4, 5
		224 ⇔ 231	Zone 1, 3, 4, 5
		232 ⇔ 239	Zone 1, 2, 4, 5
240 ⇔ 247	Zone 1, 2, 3, 5		
248 ⇔ 255	Zone 1, 2, 3, 4, 5		

Channel	Function	Value	Percent/Setting
15	Programs	000 ⇔ 015	No function
		016 ⇔ 020	Program 1
		021 ⇔ 025	Program 2
		026 ⇔ 030	Program 3
		031 ⇔ 035	Program 4
		036 ⇔ 040	Program 5
		041 ⇔ 045	Program 6
		046 ⇔ 050	Program 7
		051 ⇔ 055	Program 8
		056 ⇔ 060	Program 9
		061 ⇔ 065	Program 10
		066 ⇔ 070	Program 11
		071 ⇔ 075	Program 12
		076 ⇔ 080	Program 13
		081 ⇔ 085	Program 14
		086 ⇔ 090	Program 15
		091 ⇔ 095	Program 16
		096 ⇔ 100	Program 17
		101 ⇔ 105	Program 18
		106 ⇔ 110	Program 19
		111 ⇔ 115	Program 20
		116 ⇔ 120	Program 21
		121 ⇔ 125	Program 22
		126 ⇔ 130	Program 23
		131 ⇔ 135	Program 24
		136 ⇔ 140	Program 25
		141 ⇔ 145	Program 26
		146 ⇔ 150	Program 27
		151 ⇔ 155	Program 28
		156 ⇔ 160	Program 29
		161 ⇔ 165	Program 30
		166 ⇔ 170	Program 31
		171 ⇔ 175	Program 32
		176 ⇔ 180	Program 33
		181 ⇔ 185	Program 34
		186 ⇔ 190	Program 35
		191 ⇔ 195	Program 36
		196 ⇔ 200	Program 37
		201 ⇔ 205	Program 38
		206 ⇔ 210	Program 39
		211 ⇔ 215	Program 40
		216 ⇔ 220	Program 41
		221 ⇔ 225	Program 42
		226 ⇔ 230	Program 43
		231 ⇔ 235	Program 44
		236 ⇔ 240	Program 45
		241 ⇔ 245	Program 46
		246 ⇔ 250	Program 47
251 ⇔ 255	Program 48		
16	Auto speed	000 ⇔ 255	0–100%
17	Zoom	000 ⇔ 255	0–100%

Channel	Function	Value	Percent/Setting
18	Control (5 second activation delay)	000 ⇔ 009	No function
		010 ⇔ 014	Blackout during pan/tilt
		015 ⇔ 049	No function
		050 ⇔ 054	Pan reset
		055 ⇔ 059	Tilt reset
		060 ⇔ 064	Zoom reset
		065 ⇔ 069	No function
		070 ⇔ 074	Reset all
		075 ⇔ 079	No function
		080 ⇔ 084	Reverse pan and tilt movement
		085 ⇔ 089	Reverse pan movement
		090 ⇔ 094	Reverse tilt movement
		095 ⇔ 099	Normal pan movement
		100 ⇔ 104	Normal tilt movement
		105 ⇔ 109	Normal pan and tilt movement
		110 ⇔ 124	No function
		125 ⇔ 129	Fan full speed
		130 ⇔ 134	Fan auto speed
		135 ⇔ 139	Fast dimmer curve
		140 ⇔ 144	Smooth dimmer curve
145 ⇔ 255	No function		

Operation

15CH

Channel	Function	Value	Percent/Setting
1	Pan	000 ⇔ 255	0–100%
2	Pan fine	000 ⇔ 255	Fine control (16-bit)
3	Tilt	000 ⇔ 255	0–100%
4	Tilt fine	000 ⇔ 255	Fine control (16-bit)
5	Pan/tilt speed	000 ⇔ 255	Fast to slow
6	Dimmer	000 ⇔ 255	0–100%
7	Strobe	000 ⇔ 019	Off
		020 ⇔ 024	On
		025 ⇔ 064	Strobe, fast to slow
		065 ⇔ 069	On
		070 ⇔ 084	Fast on, slow off (fast to slow)
		085 ⇔ 089	On
		090 ⇔ 104	Slow on, fast off (fast to slow)
		105 ⇔ 109	On
		110 ⇔ 124	Random strobe, fast to slow
		125 ⇔ 129	On
		130 ⇔ 144	Random fast on, slow off (fast to slow)
		145 ⇔ 149	On
		150 ⇔ 164	Random slow on, fast off (fast to slow)
		165 ⇔ 169	On
		170 ⇔ 184	Pulse strobe, fast to slow
		184 ⇔ 189	On
		190 ⇔ 204	Random pulse strobe, fast to slow
205 ⇔ 209	On		
210 ⇔ 224	Slow on, slow off (fast to slow)		
225 ⇔ 229	On		
230 ⇔ 244	Pulse strobe, fast to slow		
245 ⇔ 255	On		
8	Warm white	000 ⇔ 255	0–100%
9	Cool white	000 ⇔ 255	0–100%
10	Color temperature	000 ⇔ 004	No function
		005 ⇔ 019	3200K
		020 ⇔ 040	3600K
		041 ⇔ 060	3800K
		061 ⇔ 080	4000K
		081 ⇔ 100	4600K
		101 ⇔ 120	4800K
		121 ⇔ 140	5000K
		141 ⇔ 160	5200K
		161 ⇔ 180	5400K
		181 ⇔ 200	5600K
		201 ⇔ 220	5800K
		221 ⇔ 240	6000K
		241 ⇔ 255	No function

Channel	Function	Value	Percent/Setting
11	Zone Selection	000 ⇔ 007	Zone 1, 2, 3, 4, 5
		008 ⇔ 015	Zone 2, 3, 4, 5
		016 ⇔ 023	Zone 3, 4, 5
		024 ⇔ 031	Zone 4, 5
		032 ⇔ 039	Zone 5
		040 ⇔ 047	No function
		048 ⇔ 055	Zone 1
		056 ⇔ 063	Zone 1, 2
		064 ⇔ 071	Zone 1, 2, 3
		072 ⇔ 079	Zone 1, 2, 3, 4
		080 ⇔ 087	Zone 1, 2, 3, 4, 5
		088 ⇔ 095	Zone 1
		096 ⇔ 103	Zone 2
		104 ⇔ 111	Zone 3
		112 ⇔ 119	Zone 4
		120 ⇔ 127	Zone 5
		128 ⇔ 135	Zone 1, 2
		136 ⇔ 143	Zone 2, 3
		144 ⇔ 151	Zone 3, 4
		152 ⇔ 159	Zone 4, 5
		160 ⇔ 167	Zone 1, 5
		168 ⇔ 175	Zone 1, 2, 3
		176 ⇔ 183	Zone 2, 3, 4
		184 ⇔ 191	Zone 3, 4, 5
		192 ⇔ 199	Zone 1, 4, 5
		200 ⇔ 207	Zone 1, 2, 5
		208 ⇔ 215	Zone 1, 2, 3, 4
		216 ⇔ 223	Zone 2, 3, 4, 5
		224 ⇔ 231	Zone 1, 3, 4, 5
		232 ⇔ 239	Zone 1, 2, 4, 5
240 ⇔ 247	Zone 1, 2, 3, 5		
248 ⇔ 255	Zone 1, 2, 3, 4, 5		

Channel	Function	Value	Percent/Setting
12	Programs	000 ⇔ 015	No function
		016 ⇔ 020	Program 1
		021 ⇔ 025	Program 2
		026 ⇔ 030	Program 3
		031 ⇔ 035	Program 4
		036 ⇔ 040	Program 5
		041 ⇔ 045	Program 6
		046 ⇔ 050	Program 7
		051 ⇔ 055	Program 8
		056 ⇔ 060	Program 9
		061 ⇔ 065	Program 10
		066 ⇔ 070	Program 11
		071 ⇔ 075	Program 12
		076 ⇔ 080	Program 13
		081 ⇔ 085	Program 14
		086 ⇔ 090	Program 15
		091 ⇔ 095	Program 16
		096 ⇔ 100	Program 17
		101 ⇔ 105	Program 18
		106 ⇔ 110	Program 19
		111 ⇔ 115	Program 20
		116 ⇔ 120	Program 21
		121 ⇔ 125	Program 22
		126 ⇔ 130	Program 23
		131 ⇔ 135	Program 24
		136 ⇔ 140	Program 25
		141 ⇔ 145	Program 26
		146 ⇔ 150	Program 27
		151 ⇔ 155	Program 28
		156 ⇔ 160	Program 29
		161 ⇔ 165	Program 30
		166 ⇔ 170	Program 31
		171 ⇔ 175	Program 32
		176 ⇔ 180	Program 33
		181 ⇔ 185	Program 34
		186 ⇔ 190	Program 35
		191 ⇔ 195	Program 36
		196 ⇔ 200	Program 37
		201 ⇔ 205	Program 38
		206 ⇔ 210	Program 39
		211 ⇔ 215	Program 40
		216 ⇔ 220	Program 41
		221 ⇔ 225	Program 42
		226 ⇔ 230	Program 43
		231 ⇔ 235	Program 44
		236 ⇔ 240	Program 45
		241 ⇔ 245	Program 46
		246 ⇔ 250	Program 47
251 ⇔ 255	Program 48		
13	Auto speed	000 ⇔ 255	0–100%
14	Zoom	000 ⇔ 255	0–100%

Channel	Function	Value	Percent/Setting
15	Control (5 second activation delay)	000 ⇔ 009	No function
		010 ⇔ 014	Blackout during pan/tilt
		015 ⇔ 049	No function
		050 ⇔ 054	Pan reset
		055 ⇔ 059	Tilt reset
		060 ⇔ 064	Zoom reset
		065 ⇔ 069	No function
		070 ⇔ 074	Reset all
		075 ⇔ 079	No function
		080 ⇔ 084	Reverse pan and tilt movement
		085 ⇔ 089	Reverse pan movement
		090 ⇔ 094	Reverse tilt movement
		095 ⇔ 099	Normal pan movement
		100 ⇔ 104	Normal tilt movement
		105 ⇔ 109	Normal pan and tilt movement
		110 ⇔ 124	No function
		125 ⇔ 129	Fan full speed
		130 ⇔ 134	Fan auto speed
		135 ⇔ 139	Fast dimmer curve
		140 ⇔ 144	Smooth dimmer curve
145 ⇔ 255	No function		

Preset Color Temperature

Temperature	CW	WW
3200K	54	255
3600K	97	255
3800K	128	255
4000K	154	255
4600K	255	88
4800K	255	70
5000K	255	53
5200K	255	37
5400K	255	26
5600K	255	15
5800K	255	6
6000K	255	0

Operation

Configuration (Settings)

Pan Reverse

To set the orientation of the pan:

1. Go to the **Setup** main level.
2. Select the **Pan Reverse** option.
3. Select from **OFF** (normal pan motion) or **ON** (reversed pan motion).

Tilt Reverse

To set the orientation of the tilt:

1. Go to the **Setup** main level.
2. Select the **Tilt Reverse** option.
3. Select from **OFF** (normal tilt motion) or **ON** (reversed tilt motion).

Pan Angle

To set the maximum angle of the pan:

1. Go to the **Setup** main level.
2. Select the **Pan Angle** option.
3. Select from **540** (540°), **360** (360°), or **180** (180°).

Tilt Angle

To set the maximum angle of the tilt:

1. Go to the **Setup** main level.
2. Select the **Tilt Angle** option.
3. Select from **230** (230°), **180** (180°), or **90** (90°).

Fan Mode

To set the fan speed mode:

1. Go to the **Setup** main level.
2. Select the **Fans** option.
3. Select the fan mode, from **Auto** (fan speed adjusts to product temperature) or **Full** (fan speed at maximum).

Display Backlight

To set whether an inactive display will turn off:

1. Go to the **Setup** main level.
2. Select the **Display** option.
3. Select **OFF** (turns off after 30 seconds of inactivity) or **ON** (remains on).

Screen Reverse

To set the orientation of the display:

1. Go to the **Setup** main level.
2. Select the **Screen Rev** option.
3. Select from **OFF** (normal display) or **ON** (inverted display).

Dimmer Curve

To set the dimmer curve:

1. Go to the **Setup** main level.
2. Select the **Dimmer Curve** option.
3. Select from **Linear**, **Square**, **I Squa**, or **SCurve**.

Dimmer Speed

To set the dimmer speed mode:

1. Go to the **Setup** main level.
2. Select the **Dimmer Speed** option.
3. Select from **Smooth** or **Fast**.

Pulse Width Modulation Options

To set the PWM frequency:

1. Go to the **Setup** main level.
2. Select the **PWM Option** option.
3. Select from **600Hz**, **1200Hz**, **2000Hz**, **4000Hz**, **6000Hz**, or **15000Hz**.

Color Calibration

To alter the color calibration settings:

1. Go to the **Setup** main level.
2. Select the **Color Calibration** option.
3. Select the calibration mode, from **ON** (uses factory default white balance), **OFF** (turns off white balance), or **Custom** (sets a custom white balance).

Reset Function

To reset specific functions or the entire product:

1. Go to the **Setup** main level.
2. Select the **Reset Function** option.
3. Select the functions to reset, from **Pan/Tilt, Zoom, or All**.
4. Select **NO** (to cancel) or **YES** (to reset the selected functions).

Factory Reset

To reset the product to factory settings:

1. Go to the **Setup** main level.
2. Select the **Factory Set** option.

Test Mode

Auto Test

To have the Rogue R2X Wash VW automatically test all functions one after the other:

1. Go to the **Run Mode** main level.
2. Select the **Auto Test** option.

Manual Test

To manually test an individual function of the Rogue R2X Wash VW:

1. Go to the **Run Mode** main level.
2. Select the **Manual Test** option.
3. Select a function to test, from **Pan, Tilt, Dimmer, Shutter, Warm White, Cool White, or Zoom**.
4. Increase or decrease the value of the selected function from **000–255** to test it.

System Information

The information section of the menu displays statistics and the current status of the product's various functions. To view these information sections:

1. Go to the **Sys Info** main level.
2. Select the **System Information** option.

Offset Mode (Zero Adjust)

The Offset mode provides fine adjustments for the home position of every moving part in the optical path and the pan and tilt movements. To adjust these options and to prevent borders showing or reduction of the light output:

1. From the main level screen, press and hold **<MENU>** until the passcode screen appears.
2. Enter the passcode: **2323** and press **<ENTER>**.
3. Select the "zero" position to adjust, from **PAN, TILT, or ZOOM**.
4. Adjust the "zero" position for the selected function from **000–255**.

5. Maintenance

Product Maintenance

Dust build-up reduces light output performance and can cause overheating. This can lead to reduction of the light source's life and/or mechanical wear. To maintain optimum performance and minimize wear, clean your lighting products at least twice a month. However, be aware that usage and environmental conditions could be contributing factors to increase the cleaning frequency.

To clean the product, follow the instructions below:

1. Unplug the product from power.
2. Wait until the product is at room temperature.
3. Use a vacuum (or dry compressed air) and a soft brush to remove dust collected on the external surface/vents.
4. Clean all transparent surfaces with a mild soap solution or ammonia-free glass cleaner.
5. Apply the solution directly to a soft, lint-free cotton cloth or a lens-cleaning tissue.
6. Softly drag any dirt or grime to the outside of the transparent surface.
7. Gently polish the transparent surfaces until they are free of haze and lint.



Always dry the transparent surfaces carefully after cleaning them.



Do not spin the cooling fans with compressed air. Damage may result.

6. Technical Specifications

Dimensions and Weight

Length	Width	Height	Weight
8.58 in (218 mm)	12.05 in (306 mm)	15.67 in (398 mm)	22.8 lb (10.3 kg)

Note: Dimensions in inches are rounded.

Power

Power Supply Type	Range	Voltage Selection
Switching (internal)	100 to 240 VAC, 50/60 Hz	Auto-ranging

Parameter	100 V, 60 Hz	120 V, 60 Hz	208 V, 60 Hz	230 V, 50 Hz	240 V, 50 Hz
Consumption	338 W	336 W	335 W	339 W	340 W
Operating current	3.447 A	2.825 A	1.620 A	1.467 A	1.427 A
Power-linking current (products)	12 A (3 products)	12 A (4 products)	12 A (7 products)	12 A (8 products)	12 A (8 products)
Fuse/Breaker	F 5 A, 250 V	F 5 A, 250 V	F 5 A, 250 V	F 5 A, 250 V	F 5 A, 250 V

Power I/O	U.S./Worldwide	UK/Europe
Power input connector	Neutrik® powerCON® A	Neutrik® powerCON® A
Power output connector	Neutrik® powerCON® B	Neutrik® powerCON® B
Power cable plug	Edison (U.S.)	Local plug

Light Source

Type	Color	Quantity	Power	Current	Lifespan
LED	Cool white and Warm white	19	25 W	1.5 A	50,000 hours

Photometrics

Beam Angle	Field Angle	Zoom Range	Cutoff Angle
8.2° to 34.4°	11.3° to 50.4°	8.2° to 63°	17.1° to 63°

Illuminance @ 5 m (11.3°)	Illuminance @ 5 m (50.4°)	Color Temperature Range
14,499 lux	1,266 lux	2600 to 6075 K

Thermal

Maximum External Temperature	Cooling System
113 °F (45 °C)	Fan-assisted convection

DMX

I/O Connector	Channel Range
3 and 5-pin XLR	15, 18, 23, 34, or 36 channels

Ordering

Product Name	Item Name	Item Code	UPC Number
Rogue R2X Wash VW	ROGUER2XWASHVW	08011685	781462220334



Returns

Returns

Send the product prepaid, in the original box, and with the original packing and accessories. Chauvet will not issue call tags.

Call Chauvet and request a Return Merchandise Authorization (RMA) number before shipping the product. Be prepared to provide the model number, serial number, and a brief description of the cause(s) for the return.

To submit a service request online, go to www.chauvetprofessional.com/service-request.

Clearly label the package with an RMA number. Chauvet will refuse any product returned without an RMA number.



Write the RMA number on a properly affixed label. DO NOT write the RMA number directly on the box.

Before sending the product, clearly write the following information on a piece of paper and place it inside the box:

- Your name
- Your address
- Your phone number
- RMA number
- A brief description of the problem

Be sure to pack the product properly. Any shipping damage resulting from inadequate packaging will be your responsibility. FedEx packing or double-boxing are recommended.



Chauvet reserves the right to use its own discretion to repair or replace returned product(s).

Contact Us

General Information	Technical Support
World Headquarters	
Address: 5200 NW 108th Ave. Sunrise, FL 33351 Voice: (954) 577-4455 Fax: (954) 929-5560 Toll Free: (800) 762-1084	Voice: (844) 393-7575 Fax: (954) 756-8015 Email: chauvetcs@chauvetlighting.com Website: www.chauvetprofessional.com
U.K.	
Address: Unit 1C Brookhill Road Industrial Estate Pinxton, Nottingham, UK NG16 6NT Voice: +44 (0) 1773 511115 Fax: +44 (0) 1773 511110	Email: UKtech@chauvetlighting.eu Website: www.chauvetprofessional.eu
Benelux	
Address: Stokstraat 18 9770 Kruishoutem Belgium Voice: +32 9 388 93 97	Email: BNLtech@chauvetlighting.eu Website: www.chauvetprofessional.eu
France	
Address: 3, Rue Ampère 91380 Chilly-Mazarin France Voice: +33 1 78 85 33 59	Email: FRtech@chauvetlighting.fr Website: www.chauvetprofessional.eu
Germany	
Address: Bruno-Bürgerl-Str. 11 28759 Bremen Germany Voice: +49 421 62 60 20	Email: DEtech@chauvetlighting.de Website: www.chauvetprofessional.eu
Mexico	
Address: Av. de las Partidas 34 - 3B (Entrance by Calle 2) Zona Industrial Lerma Lerma, Edo. de México, CP 52000 Voice: +52 (728) 690-2010	Email: servicio@chauvet.com.mx Website: www.chauvetprofessional.mx

Visit the applicable website above to verify our contact information and instructions to request support. Outside the U.S., U.K., Ireland, Benelux, France, Germany, or Mexico, contact the dealer of record.