

ROGUE



User Manual



Model ID: ROGUER3BEAM



Edition Notes

The Rogue R3 Beam User Manual includes a description, safety precautions, installation, programming, operation and maintenance instructions for the Rogue R3 Beam.

Trademarks

Chauvet, Chauvet Professional, the Chauvet logo, and Rogue are registered trademarks or trademarks of Chauvet & Sons, LLC (d/b/a Chauvet and Chauvet Lighting) in the United States and other countries. Other company and product names and logos referred to herein may be trademarks of their respective companies.

Copyright Notice

The works of authorship contained in this manual, including, but not limited to, all design, text and images are owned by Chauvet.

© **Copyright 2022 Chauvet & Sons, LLC. All rights reserved.**

Electronically published by Chauvet in the United States of America.

Manual Use

Chauvet authorizes its customers to download and print this manual for professional information purposes only. Chauvet expressly prohibits the usage, copy, storage, distribution, modification, or printing of this manual or its content for any other purpose without written consent from Chauvet.

Document Printing

For best results, print this document in color, on letter size paper (8.5 x 11 in), double-sided. If using A4 paper (210 x 297 mm), configure the printer to scale the content accordingly.

Intended Audience

Any person installing, operating, and/or maintaining this product should completely read through the guide that shipped with the product, as well as this manual, before installing, operating, or maintaining this product.

Disclaimer

Chauvet believes that the information contained in this manual is accurate in all respects. However, Chauvet assumes no responsibility and specifically disclaims any and all liability to any party for any loss, damage or disruption caused by any errors or omissions in this document, whether such errors or omissions result from negligence, accident or any other cause. Chauvet reserves the right to revise the content of this document without any obligation to notify any person or company of such revision, however, Chauvet has no obligation to make, and does not commit to make, any such revisions. Download the latest version from www.chauvetprofessional.com

Document Revision

This Rogue R3 Beam User Manual is the 5th edition of this document. Go to www.chauvetprofessional.com for the latest version.

TABLE OF CONTENTS

1. Before You Begin	3
What Is Included	3
Claims	3
Manual Conventions	3
Symbols	3
FCC Compliance	3
Safety Notes.....	4
Personal Safety.....	4
Mounting and Rigging	4
Power and Wiring.....	4
Operation	4
2. Introduction	5
Features.....	5
Product Overview.....	5
Product Dimensions	6
3. Setup	7
AC Power	7
AC Plug.....	7
Fuse Replacement.....	7
DMX Linking.....	7
DMX Personalities.....	7
Remote Device Management (RDM).....	7
Mounting	8
Orientation.....	8
Rigging.....	8
Procedure.....	8
Gobo Wheel	9
Color Wheel	10
Lamp Replacement.....	11
Procedure.....	11
Increasing the Lamp's Life	13
4. Operation	14
Control Panel Operation.....	14
Programming.....	14
Control Panel Lock.....	14
Passcode	14
DMX Values	17
19CH	17
16CH	20
Address	22
Run Mode.....	22
DMX Personality	22
Auto Test.....	22
Manual Test	23
Setup.....	23
Pan Reverse	23
Tilt Reverse.....	23
Screen Reverse	23
Pan Angle.....	23
Tilt Angle	23
B.L.O.P/T Move.....	23

BL.O.Color Move.....	23
BL.O.Gobo Move	23
Lamp Controls.....	24
Maintenance Timer	25
Reset Function	25
Factory Reset Function	25
System Information	26
Offset Mode.....	26
Pan.....	26
Tilt	26
Shutter1.....	26
Shutter2.....	26
Color.....	26
Gobo	26
Prism 1	26
Rotating Prism 1.....	26
Prism 2	26
Rotating Prism 2.....	26
Focus	27
Frost.....	27
Mac 4	27
Mac 5	27
Mac 6	27
5. Technical Information	28
Product Maintenance	28
6. Technical Specifications	29
Returns.....	30
Contact Us	31

Before You Begin

1. Before You Begin

What Is Included

- Rogue R3 Beam
- Neutrik® powerCON® power cable
- 2 Omega brackets with mounting hardware
- Quick Reference Guide

Claims

Carefully unpack the product immediately and check the container to make sure all the parts are in the package and are in good condition.






If the box or the contents (the product and included accessories) appear damaged from shipping, or show signs of mishandling, notify the carrier immediately, not Chauvet. Failure to report damage to the carrier immediately may invalidate your claim. In addition, keep the box and contents for inspection.

For other issues, such as missing components or parts, damage not related to shipping, or concealed damage, file a claim with Chauvet within 7 days of delivery.

Manual Conventions

Convention	Meaning
1–512	A range of values
50/60	A set of values of which only one can be chosen
<SET>	A button on the product's control panel
Settings	A product function or a menu option

Symbols

Symbol	Meaning
	Electrical warning. Not following these instructions may cause electrical damage to the product, accessories, or the user.
	Critical installation, configuration, or operation information. Not following these instructions may make the product not work, cause damage to the product, or cause harm to the operator.
	Important installation or configuration information. The product may not function correctly if this information is not used.
	Useful information.
	The term “DMX” used throughout this manual refers to the USITT DMX512-A digital data transmission protocol.

FCC Compliance

This device complies with Part 15 Part B of the FCC Rules. Operation is subject to the following two conditions:

1. This device may not cause harmful interference, and
2. This device must accept any interference received, including interference that may cause undesired operation.

Any changes or modifications not expressly approved by the party responsible for compliance could void the user's authority to operate the equipment.

Safety Notes

Read all the following safety notes before working with this product. These notes contain important information about the installation, usage, and maintenance of this product.



This product contains no user-serviceable parts. Any reference to servicing in this User Manual will only apply to properly trained, certified technicians. Do not open the housing or attempt any repairs.



All applicable local codes and regulations apply to proper installation of this product.

Personal Safety

- Avoid direct eye exposure to the light source while the product is on.
- Always disconnect the product from the power source before cleaning or replacing the fuse.
- Always connect the product to a grounded circuit to avoid the risk of electrocution.
- Do not touch the product's housing when operating because it may be very hot.

Mounting and Rigging

- The luminaire is intended for professional use only.
- This product is for indoor use only! To prevent risk of fire or shock, do not expose this product to rain or moisture. (IP20)
- CAUTION: When transferring product from extreme temperature environments, (e.g., cold truck to warm, humid ballroom) condensation may form on the internal electronics of the product. To avoid causing a failure, allow product to fully acclimate to the surrounding environment before connecting it to power.
- Always ask for help when mounting this product to avoid personal injuries or damage to the product
- Mount this product in a location with adequate ventilation, at least 20 in (50 cm) from adjacent surfaces.
- Make sure there are no flammable materials close to the product when operating.
- When hanging this product, always secure to a fastening device using a safety cable.
- The luminaire should be positioned so that prolonged staring into the luminaire at a distance closer than 26.2 ft (8 m) is not expected.

Power and Wiring

- Always make sure you are connecting the product to the proper voltage in accordance with the specifications in this manual or on the product's specification label.
- Never connect the product to a dimmer pack or rheostat.
- Never disconnect this product by pulling or tugging on the power cable.
- If the external flexible cable or cord of this luminaire is damaged, it shall be replaced with a special cable or cord exclusively available from the manufacturer or its service agent.
- The light source contained in this luminaire shall only be replaced by the manufacturer, its service agent, or a similarly qualified person.

Operation

- Do not operate this product if there is damage on the housing, lenses, or cables. Have the damaged parts replaced by an authorized technician at once.
- To eliminate unnecessary wear and improve its lifespan, during periods of non-use completely disconnect the product from power via breaker or by unplugging it.
- Do not cover the ventilation slots when operating to avoid internal overheating.
- Do not aim this product toward the Sun. The lenses could concentrate the solar energy and cause internal overheating.
- The maximum ambient temperature is 113 °F (45 °C). Do not operate the product at higher temperatures.
- In the event of a serious operation problem, stop using this product immediately!



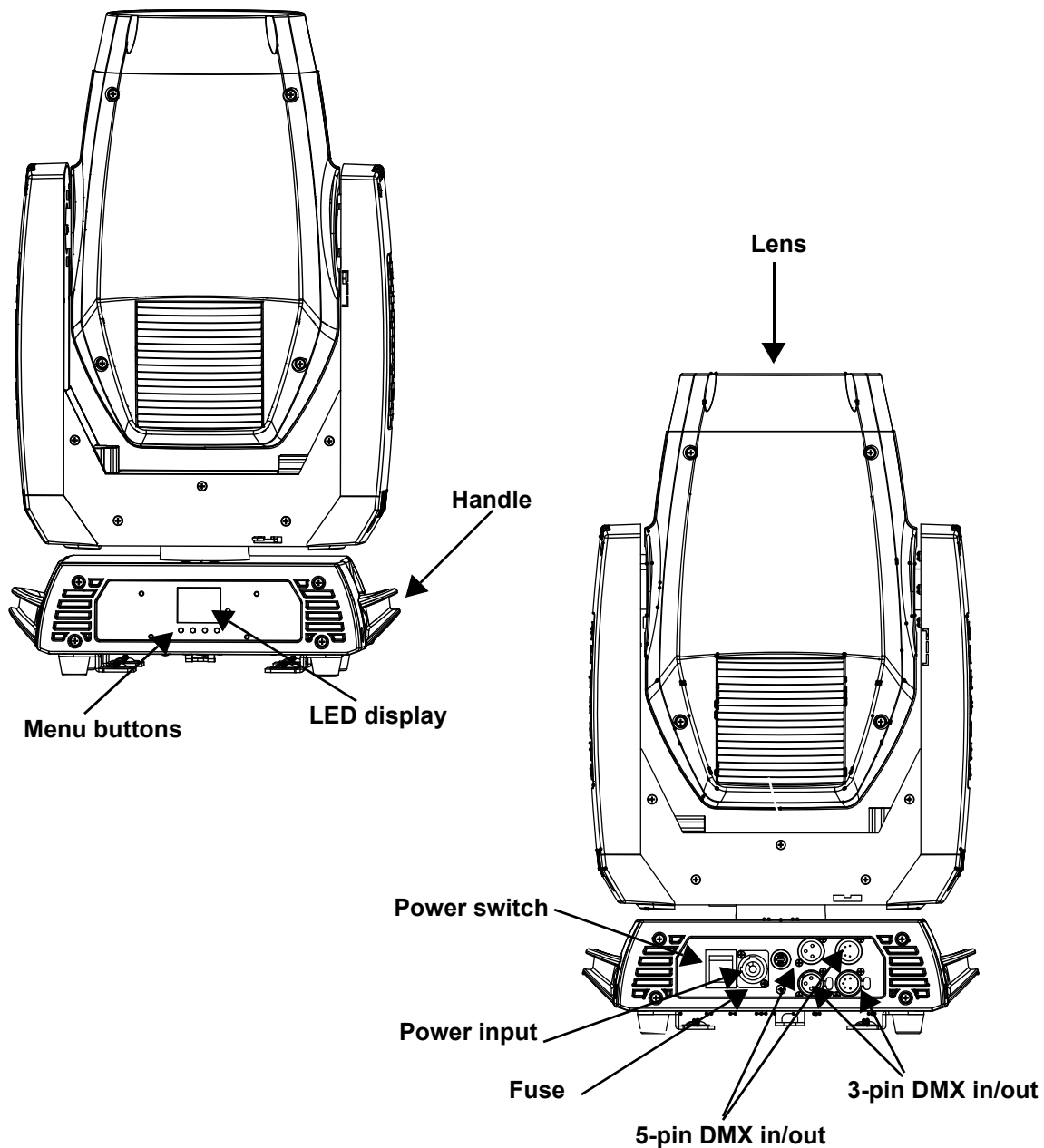
If your Chauvet product requires service, contact Chauvet Technical Support.

2. Introduction

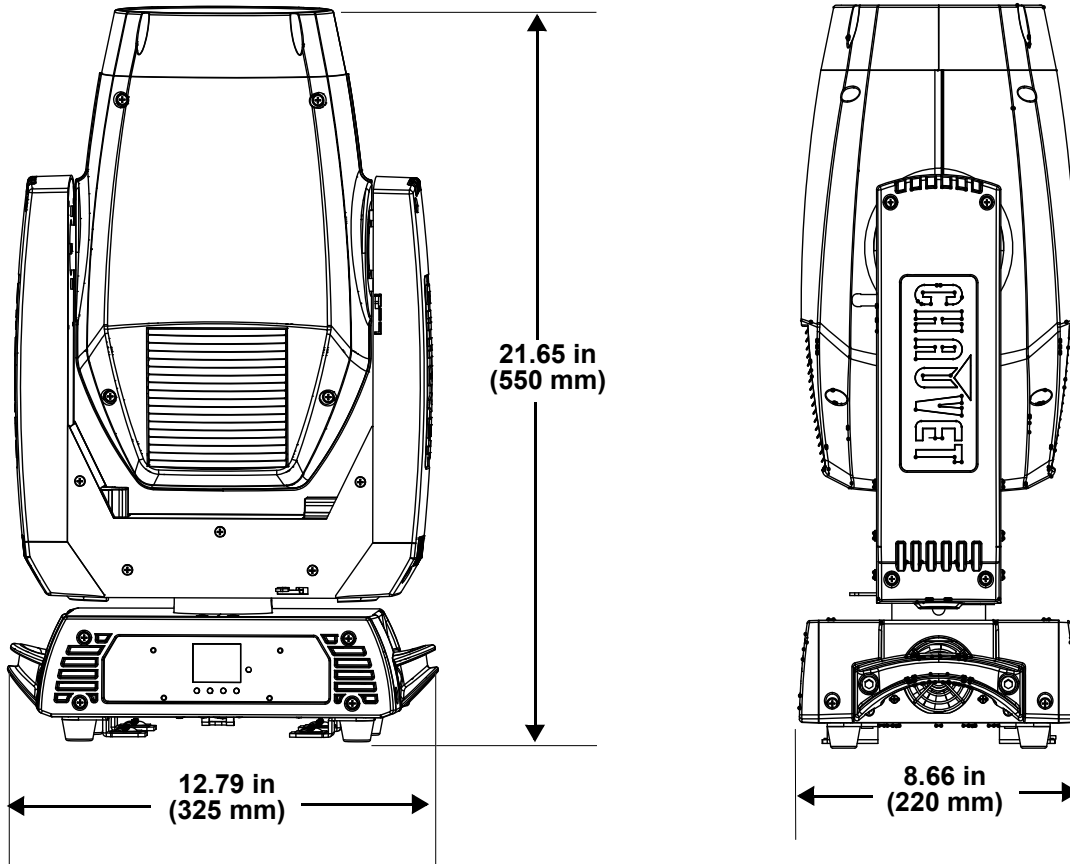
Features

- Fully featured, high-powered beam fixture with a single color wheel, single static gobo wheel, layerable prisms, and 300W Ushio NSL lamp rated at 8,000 hours life
- Fast and precise movement of pan and tilt functions
- Individually controllable and layerable 8- and 24-facet prisms
- Frost for even light distribution
- Tight 1° beam for extremely focused areal effects
- RDM-enabled for remote addressing and troubleshooting
- 17 static gobos for massive visual impact

Product Overview



Product Dimensions



3. Setup

AC Power

Each Rogue R3 Beam has an auto-ranging power supply that works with an input voltage range of 100 to 240 VAC, 50/60 Hz. To determine the power requirements for each Rogue R3 Beam, refer to the label affixed to the product. You can also refer to the Technical Specifications chart in this manual.

The listed current rating indicates the maximum current draw during normal operation. For more information, download Sizing Circuit Breakers from the Chauvet website: www.chauvetprofessional.com.



- **Always connect the product to a protected circuit (a circuit breaker or fuse). Make sure the product has an appropriate electrical ground to avoid the risk of electrocution or fire.**
- **To eliminate unnecessary wear and improve its lifespan, during periods of non-use completely disconnect the product from power via breaker or by unplugging it.**



Never connect the product to a rheostat (variable resistor) or dimmer circuit, even if the rheostat or dimmer channel serves only as a 0 to 100% switch.

AC Plug

The Rogue R3 Beam comes with a power input cable terminated with a Neutrik® powerCON® A connector on one end and an Edison plug on the other end (U.S. market). If the power input cable that came with your product has no plug, or if you need to change the plug, use the table below to wire the new plug.

Connection	Wire (U.S.)	Wire (Europe)	Screw Color
AC Live	Black	Brown	Yellow or Brass
AC Neutral	White	Blue	Silver
AC Ground	Green/Yellow	Green/Yellow	Green

Fuse Replacement

1. Disconnect this product from the power outlet.
2. Using a flat-head screwdriver, unscrew the fuse holder cap from the housing.
3. Remove the blown fuse and replace with another fuse of the same type and rating (F7A, 250 V).
4. Screw the fuse holder cap back in place and reconnect power.



Make sure to disconnect the product's power cable before replacing a blown fuse. Always replace the blown fuse with another of the same type and rating.

DMX Linking

You can link the Rogue R3 Beam to a DMX controller using a 3-pin or 5-pin DMX connection. If using other DMX-compatible products with this product, you can control each individually with a single DMX controller.

DMX Personalities

The Rogue R3 Beam uses a 3-pin or 5-pin DMX data connection for the 16- and 19-channel DMX personalities.

- Refer to the [Introduction](#) for a brief description of each DMX personality.
- Refer to the [Operation](#) chapter to learn how to configure the Rogue R3 Beam to work in these personalities.
- The [DMX Values](#) section provides detailed information regarding the DMX personalities.

Remote Device Management (RDM)

Remote Device Management, or RDM, is a standard for allowing DMX-enabled devices to communicate bi-directionally along existing DMX cabling. Check the DMX controller's User Manual or with the manufacturer as not all DMX controllers have this capability. The Rogue R3 Beam supports RDM protocol that allows feedback to make changes to menu map options.

Mounting

Before mounting the product, read and follow the safety recommendations indicated in the [Safety Notes](#). For our CHAUVET Professional line of mounting clamps, go to <http://trusst.com/products/>.

Orientation

Always mount this product in a safe position, making sure there is adequate room for ventilation, configuration, and maintenance.

Rigging

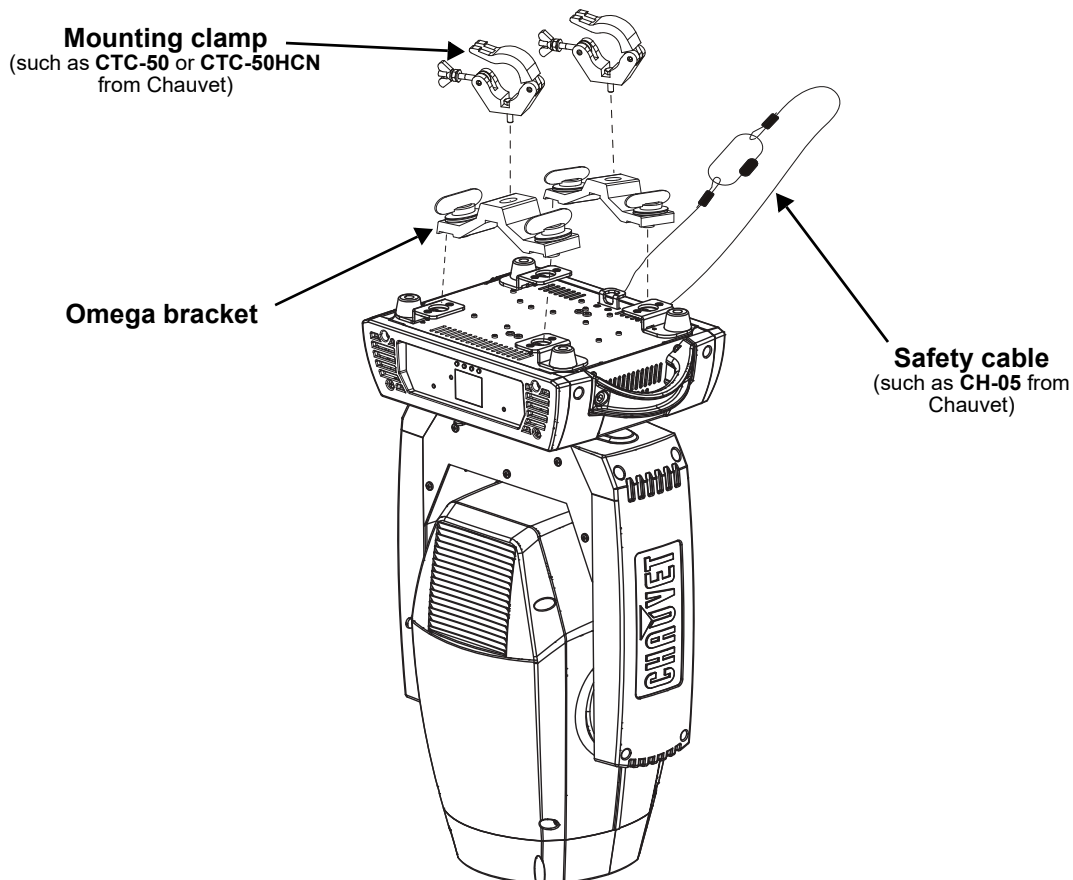
Chauvet recommends using the following general guidelines when mounting this product.

- Before deciding on a location for the product, make sure there is easy access to the product for maintenance and programming purposes.
- Make sure that the structure onto which you are mounting the product can support the product's weight. See the [Technical Specifications](#) for weight information.
- When mounting the product overhead, always use a safety cable. Mount the product securely to a rigging point, whether an elevated platform or a truss.
- When rigging the product onto a truss, use a mounting clamp of appropriate weight capacity.
- When power linking multiple products, mount the products close enough for power linking cables to reach.
- The bracket adjustment knobs allow for directional adjustment when aiming the product to the desired angle. Only loosen or tighten the bracket knobs manually. Using tools could damage the knobs.

Procedure

The Rogue R3 Beam comes with a double-bracketed yoke to which you can either attach mounting clamps for hanging or simply use as a floor stand. You must supply the mounting clamps. Make sure the clamps are capable of supporting the weight of this product. Use at least one mounting point per product. For the CHAUVET Professional line of mounting clamps, go to <http://www.trusst.com/products>.

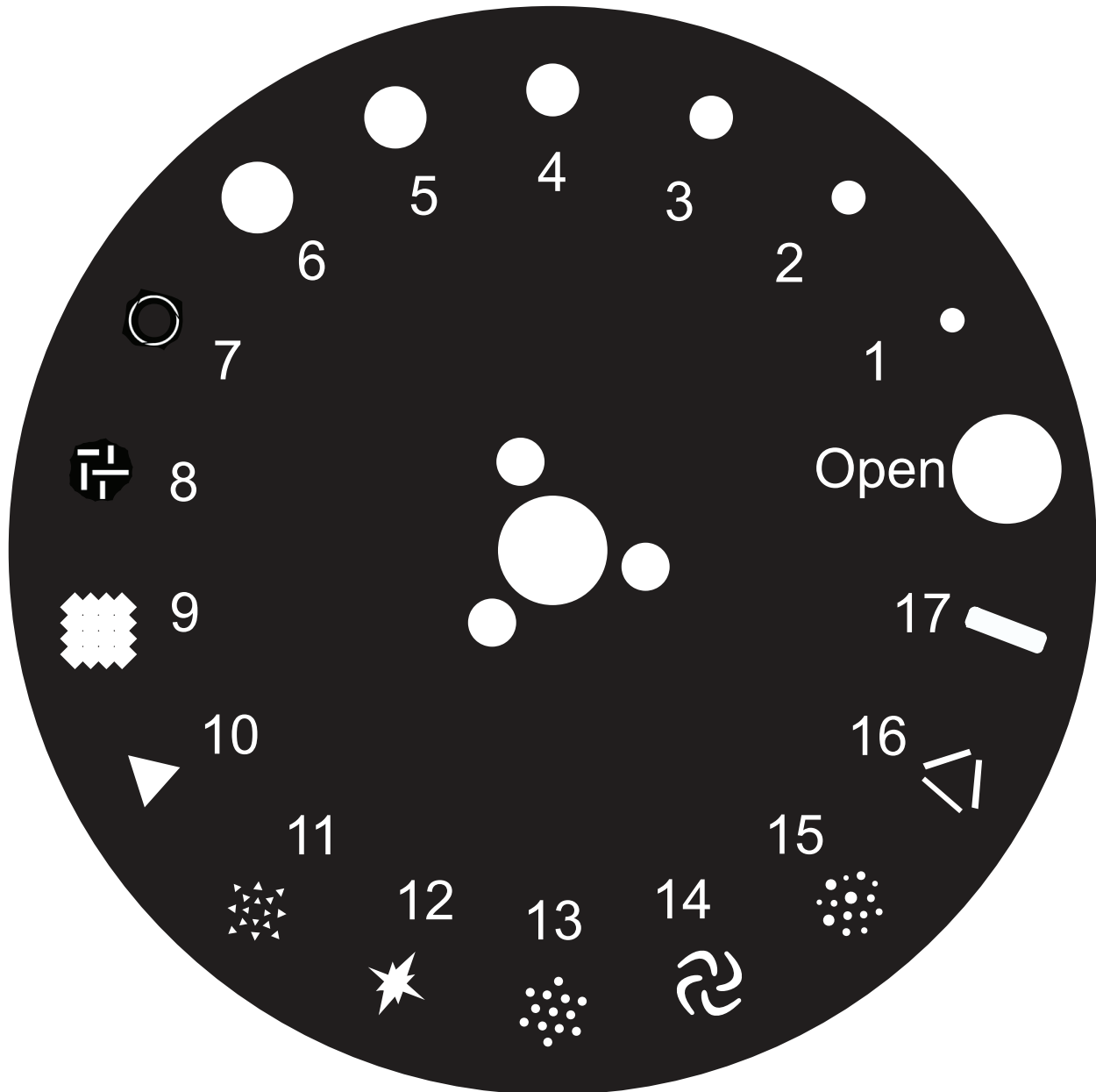
Mounting Diagram



Setup

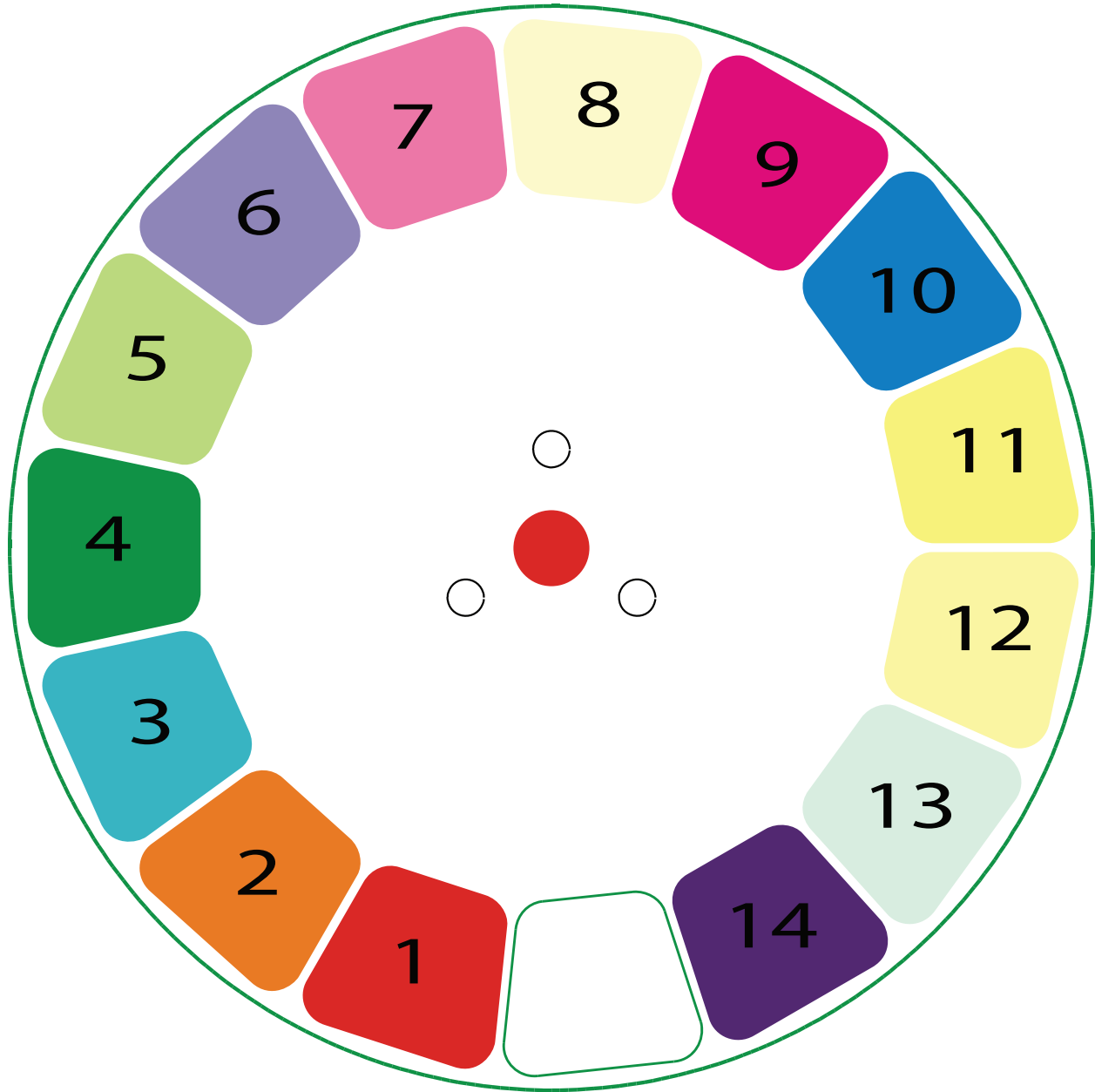
Gobo Wheel

The Rogue R3 Beam includes one gobo wheel with 17 fixed gobos plus open. The diagram shows the gobo number on the wheel, as numbered in the [DMX Values](#) tables.



Color Wheel

The Rogue R3 Beam includes one color wheel with 14 fixed colors plus open (white), as indicated below. The diagram shows the color number on the wheel, as numbered in the [DMX Values](#) tables.



Setup

Lamp Replacement

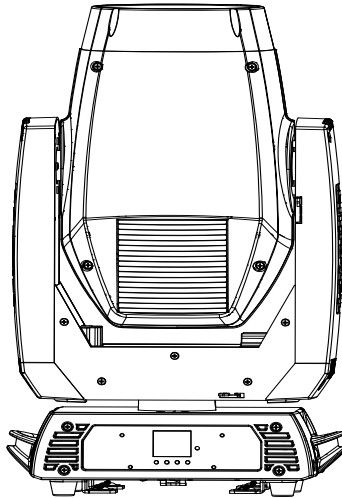
The Rogue R3 Beam is equipped with an NSL Ushio 300W lamp. Follow the procedure below to safely change the lamp.



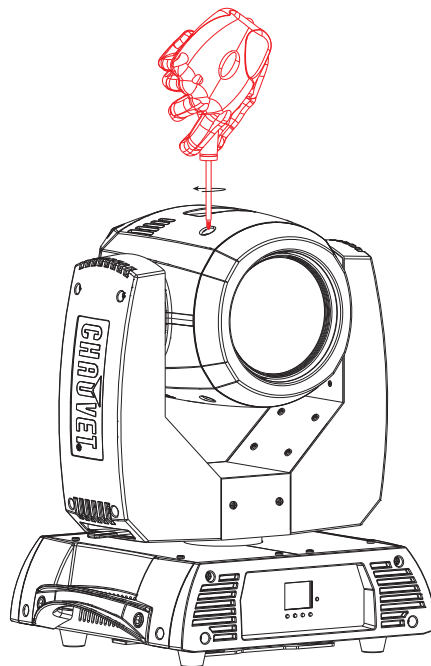
Disconnect the product from power before opening.

Procedure

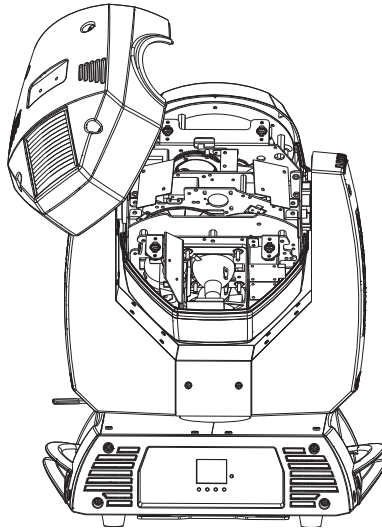
1. Turn the product off and disconnect it from power. Wait at least 15 minutes for the lamp to cool down.



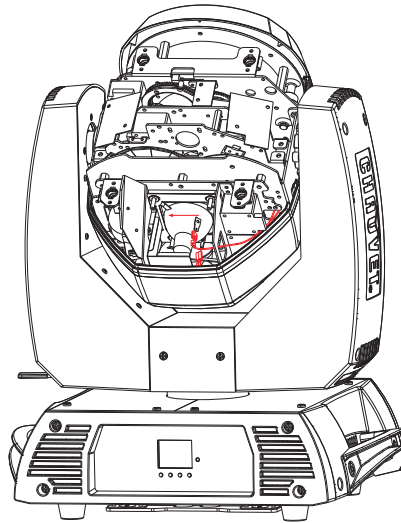
2. Remove both head covers by removing 8 Phillips-head 1/4-turn screws.



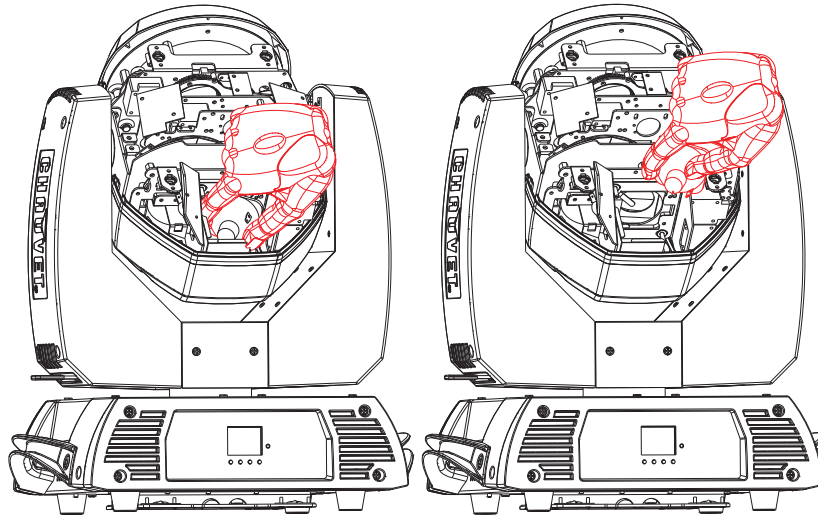
3. Orient the bottom of the moving head so that the fan is facing downward.



4. Remove the 2 wires connected to the lamp by the spade terminals. Using the lamp base, push the lamp to the left against the spring clips located on the left.



5. Roll the lamp out the top and pull it away.



6. Reverse the steps above to install the new lamp. Do not touch the glass with bare hands.



Do not turn product on without a lamp!

Increasing the Lamp's Life

To prolong the life of the NSL Ushio 300W lamp, it is recommended to do the following:

- ALWAYS turn the lamp off by using the DMX controller or the product's control panel, then wait at least 5 minutes before switching off the product. This will keep the fans running to extract any remaining heat from the product's head.
- DO NOT power cycle the product unless it is necessary.
- DO NOT re-strike the lamp immediately after turning it off. Chauvet recommends waiting 5 minutes before trying to re-strike the lamp.
- DO NOT touch the lamp without wearing gloves to avoid leaving grease on the bulb or on the contacts that could reduce the lamp's life.
- ALWAYS change the lamp when it has reached its recommended lifespan to avoid the risk of lamp explosion.

4. Operation

Control Panel Operation

Button	Function
<MENU>	Exits from the current menu or function
<ENTER>	Enables the currently displayed menu or sets the currently selected value in to the current function
<UP>	Navigates upward through the menu list or increases the numeric value when in a function
<DOWN>	Navigates downward through the menu list or decreases the numeric value when in a function

Programming

Refer to the Menu Map to understand the menu options. The menu map shows the main level and a variable number of programming levels for each option.

- To go to the desired main level, press **<MENU>** repeatedly until the option shows on the display. Press **<ENTER>** to select. This will take you to the first programming level for that option.
- To select an option or value within the current programming level, press **<UP>** or **<DOWN>** until the option shows on the display. Press **<ENTER>** to select. In this case, if there is another programming level, you will see that first option, or you will see the selected value.
- Press **<MENU>** repeatedly to exit to the previous main level.

Control Panel Lock

This setting enables you to activate or disable the control panel lock, which keeps unauthorized users from changing the product's settings.

1. Go to the **Key Lock** main level.
2. Select **ON** or **OFF**.



When the control panel lock is activated, in order to access the products main programming level, the product will prompt for the passcode. Enter the passcode as described below.

Passcode

After being prompted to enter the passcode:

Press **<UP>**, **<DOWN>**, **<UP>**, **<DOWN>**, **<ENTER>**

Menu Map

Refer for the Rogue R3 Beam product page on www.chauvetprofessional.com for the latest menu map.

Main Level	Programming Levels		Description	
Address	001–512		Sets the starting address	
Run Mode	DMX	16CH	Selects the DMX personality	
		19CH		
	Auto Test		Auto test all functions	
	Manual Test	Pan	000–255	Manually control and test all settings through the control panel
		Pan Fine		
		Tilt		
		Tilt Fine		
		P/T Speed		
		Dimmer		
		Dimmer Fine		
		Shutter		
		Color		
		Gobo		
		Prism1		
		Prism1 Rot		
		Prism2		
		Prism2 Rot		
		Frost		
		Focus		
P/T Macro				
P/T Ma. Speed				
Special Function				
Setup	Pan Reverse	NO	Normal pan	
		YES	Reversed pan	
	Tilt Reverse	NO	Normal tilt	
		YES	Reversed tilt	
	Screen Reverse	NO	Normal screen display	
		YES	Inverted screen display	
	Pan Angle	540	540° pan range	
		360	360° pan range	
		180	180° pan range	
	Tilt Angle	270	270° tilt range	
		180	180° tilt range	
		90	90° tilt range	
BL. O. P/T Move	YES	Blackout while panning/tilting		
	NO	Do not blackout while panning/tilting		
BL. O. Color Move	YES	Blackout while color wheel is moving		
	NO	Do not blackout while color wheel is moving		
BL. O. Gobo Move	YES	Blackout while gobo wheels are moving		
	NO	Do not blackout while gobo wheels are moving		

Main Level	Programming Levels		Description		
Setup (cont.)	Lamp Settings	On/Off	ON OFF	Turns lamp on/off	
		State/ Power On	ON OFF	Defines the status of lamp when powering up product	
		Off via DMX	YES NO	Turns off the unit via DMX controller	
		On if DMX On	YES NO	Turns lamp on when DMX signal is detected	
		Off if DMX Off	YES NO	Turns lamp off when DMX signal is lost	
		Ignition Delay	000–255	Selects duration of delay between product power on and lamp power on	
		Low Power Delay	000–255	Selects the duration of delay when shutter is closed and lamp enters lower power state	
		Reset Lamp Time	YES NO	Resets lamp timer to 0 Leaves lamp time unchanged	
	Maintenance Timer	Interval	000–250	Defines amount of hours between maintenance	
		Remaining Time	NO	Shows amount of time remaining in maintenance cycle	
			RESET	Resets the time back to the beginning	
	Reset Function	Pan/Tilt	YES/NO	Reset individual functions or all functions from start-up	
		Shutter/ Prism			
		Color Gobo			
		Frost/ Focus			
		All			
	Factory Settings	YES NO		Reset to factory default settings	
	Sys Info	System Information	Ver	V_	Shows firmware version
			Running Mode	---	Shows current running mode
DMX Address			---	Shows current DMX address	
Temperature			---	Displays the product's temperature in °C	
Lamp On Time			-----	Displays the amount of time the lamp has been on (provided the counter has been reset upon installation of new lamp)	
Remain Time			-----	Shows amount of time remaining in maintenance cycle	
UID			-----	Shows product UID	
Fan1 Speed			-----	Shows speed of Fan 1	
Fan2 Speed			-----	Shows speed of Fan 2	

Operation

DMX Values

19CH

Channel	Function	Value	Percent/Setting
1	Pan	000 ⇔ 255	0–100%
2	Pan fine	000 ⇔ 255	Fine control (16-bit)
3	Tilt	000 ⇔ 255	0–100%
4	Tilt fine	000 ⇔ 255	Fine control (16-bit)
5	Pan/tilt speed	000 ⇔ 255	Fast to slow
6	Dimmer	000 ⇔ 255	0–100%
7	Dimmer fine	000 ⇔ 255	Fine control (16-bit)
8	Strobe	000 ⇔ 007	Closed
		008 ⇔ 015	Open
		016 ⇔ 131	Synchronized strobe, slow to fast
		132 ⇔ 167	Fast close, slow open (slow to fast)
		168 ⇔ 203	Slow close, fast open (slow to fast)
		204 ⇔ 239	Pulse strobe, slow to fast
		240 ⇔ 250	Random strobe, slow to fast
		251 ⇔ 255	Open
9	Color wheel (see Color Wheel)	000 ⇔ 004	Open
		005 ⇔ 008	Red
		009 ⇔ 012	Orange
		013 ⇔ 016	Cyan
		017 ⇔ 020	Light green
		021 ⇔ 024	Light yellow
		025 ⇔ 028	Lavender
		029 ⇔ 032	Pink
		033 ⇔ 036	Yellow
		037 ⇔ 040	Magenta
		041 ⇔ 044	Light blue
		045 ⇔ 048	Amber
		049 ⇔ 052	CTO 5600K
		053 ⇔ 056	CTO 6500K
		057 ⇔ 060	UV
		061 ⇔ 127	Split colors
128 ⇔ 189	Clockwise color scroll, fast to slow		
190 ⇔ 193	Stop		
194 ⇔ 255	Counterclockwise color scroll, slow to fast		
10	Static gobo wheel (see Gobo Wheel)	000 ⇔ 003	Open
		004 ⇔ 006	Gobo 1
		007 ⇔ 009	Gobo 2
		010 ⇔ 012	Gobo 3
		013 ⇔ 015	Gobo 4
		016 ⇔ 018	Gobo 5
		019 ⇔ 021	Gobo 6
		022 ⇔ 024	Gobo 7
		025 ⇔ 027	Gobo 8
		028 ⇔ 030	Gobo 9
		031 ⇔ 033	Gobo 10
		034 ⇔ 036	Gobo 11
		037 ⇔ 039	Gobo 12
		040 ⇔ 042	Gobo 13
		043 ⇔ 045	Gobo 14

Channel	Function	Value	Percent/Setting
10	Static gobo wheel (see Gobo Wheel)	046 ⇔ 048	Gobo 15
		049 ⇔ 051	Gobo 16
		052 ⇔ 055	Gobo 17
		056 ⇔ 059	Open
		060 ⇔ 063	Gobo 1 shaking, slow to fast
		064 ⇔ 067	Gobo 2 shaking, slow to fast
		068 ⇔ 071	Gobo 3 shaking, slow to fast
		072 ⇔ 075	Gobo 4 shaking, slow to fast
		076 ⇔ 079	Gobo 5 shaking, slow to fast
		080 ⇔ 083	Gobo 6 shaking, slow to fast
		084 ⇔ 087	Gobo 7 shaking, slow to fast
		088 ⇔ 091	Gobo 8 shaking, slow to fast
		092 ⇔ 095	Gobo 9 shaking, slow to fast
		096 ⇔ 099	Gobo 10 shaking, slow to fast
		100 ⇔ 103	Gobo 11 shaking, slow to fast
		104 ⇔ 107	Gobo 12 shaking, slow to fast
		108 ⇔ 111	Gobo 13 shaking, slow to fast
		112 ⇔ 115	Gobo 14 shaking, slow to fast
		116 ⇔ 119	Gobo 15 shaking, slow to fast
120 ⇔ 123	Gobo 16 shaking, slow to fast		
124 ⇔ 127	Gobo 17 shaking, slow to fast		
128 ⇔ 189	Clockwise gobo scroll, fast to slow		
190 ⇔ 193	Stop		
194 ⇔ 255	Counterclockwise gobo scroll, slow to fast		
11	Prism 1	000 ⇔ 004	No function
		005 ⇔ 255	Prism index
12	Prism 1 rotation	000 ⇔ 127	Prism index
		128 ⇔ 189	Clockwise rotation, fast to slow
		190 ⇔ 193	Stop
		194 ⇔ 255	Counterclockwise rotation, slow to fast
13	Prism 2	000 ⇔ 004	No function
		005 ⇔ 255	Prism index
14	Prism 2 rotation	000 ⇔ 127	Prism index
		128 ⇔ 189	Clockwise rotation, fast to slow
		190 ⇔ 193	Stop
		194 ⇔ 255	Counterclockwise rotation, slow to fast
15	Frost	000 ⇔ 255	0–100%
16	Focus	000 ⇔ 255	0–100%
17	Movement macros	000 ⇔ 007	No function
		008 ⇔ 015	Effect 1
		016 ⇔ 023	Effect 2
		024 ⇔ 031	Effect 3
		032 ⇔ 039	Effect 4
		040 ⇔ 047	Effect 5
		048 ⇔ 055	Effect 6
		056 ⇔ 063	Effect 7
		064 ⇔ 071	Effect 8
		072 ⇔ 079	Effect 9
		080 ⇔ 087	Effect 10
		088 ⇔ 095	Effect 11
096 ⇔ 103	Effect 12		

Channel	Function	Value	Percent/Setting
17	Movement macros	104 ⇔ 111	Effect 13
		112 ⇔ 119	Effect 14
		120 ⇔ 127	Effect 15
		128 ⇔ 135	Effect 16
		136 ⇔ 143	Effect 17
		144 ⇔ 151	Effect 18
		152 ⇔ 159	Effect 19
		160 ⇔ 167	Effect 20
		168 ⇔ 175	Effect 21
		176 ⇔ 183	Effect 22
		184 ⇔ 191	Effect 23
		192 ⇔ 199	Effect 24
		200 ⇔ 207	Effect 25
		208 ⇔ 215	Effect 26
		216 ⇔ 223	Effect 27
		224 ⇔ 231	Effect 28
232 ⇔ 239	Effect 29		
240 ⇔ 247	Effect 30		
248 ⇔ 255	Effect 31		
18	Movement macro speed	000 ⇔ 255	0–100%
19	Control	000 ⇔ 069	No function
		070 ⇔ 079	Enable pan/tilt blackout
		080 ⇔ 089	Disable pan/tilt blackout
		090 ⇔ 099	Enable blackout while color wheel is moving
		100 ⇔ 109	Disable color wheel blackout
		110 ⇔ 119	Enable blackout while gobo wheels are moving
		120 ⇔ 129	Disable gobo wheel blackout
		130 ⇔ 139	Lamp on
		140 ⇔ 149	Pan/tilt reset
		150 ⇔ 159	Color wheel reset
		160 ⇔ 169	Gobo wheel reset
		170 ⇔ 179	Shutter/prism reset
		180 ⇔ 189	No function
		190 ⇔ 199	Focus reset
		200 ⇔ 209	All reset
		210 ⇔ 219	Enable blackout all function during pan/tilt
220 ⇔ 229	Disable blackout all function during pan/tilt		
230 ⇔ 239	Lamp off		
240 ⇔ 255	No function		

16CH

Channel	Function	Value	Percent/Setting
1	Pan	000 ⇔ 255	0–100%
2	Pan fine	000 ⇔ 255	Fine control (16-bit)
3	Tilt	000 ⇔ 255	0–100%
4	Tilt fine	000 ⇔ 255	Fine control (16-bit)
5	Pan/tilt speed	000 ⇔ 255	Fast to slow
6	Dimmer	000 ⇔ 255	0–100%
7	Strobe	000 ⇔ 007	Closed
		008 ⇔ 015	Open
		016 ⇔ 131	Synchronized strobe, slow to fast
		132 ⇔ 167	Fast close, slow open (slow to fast)
		168 ⇔ 203	Slow close, fast open (slow to fast)
		204 ⇔ 239	Pulse strobe, slow to fast
		240 ⇔ 250	Random strobe, slow to fast
		251 ⇔ 255	Open
8	Color wheel (see Color Wheel)	000 ⇔ 004	Open
		005 ⇔ 008	Red
		009 ⇔ 012	Orange
		013 ⇔ 016	Cyan
		017 ⇔ 020	Light green
		021 ⇔ 024	Light yellow
		025 ⇔ 028	Lavender
		029 ⇔ 032	Pink
		033 ⇔ 036	Yellow
		037 ⇔ 040	Magenta
		041 ⇔ 044	Light blue
		045 ⇔ 048	Amber
		049 ⇔ 052	CTO 5600K
		053 ⇔ 056	CTO 6500K
		057 ⇔ 060	UV
		061 ⇔ 127	Split colors
128 ⇔ 189	Clockwise color scroll, fast to slow		
190 ⇔ 193	Stop		
194 ⇔ 255	Counterclockwise color scroll, slow to fast		

Channel	Function	Value	Percent/Setting
9	Static gobo wheel (see Gobo Wheel)	000 ⇔ 003	Open
		004 ⇔ 006	Gobo 1
		007 ⇔ 009	Gobo 2
		010 ⇔ 012	Gobo 3
		013 ⇔ 015	Gobo 4
		016 ⇔ 018	Gobo 5
		019 ⇔ 021	Gobo 6
		022 ⇔ 024	Gobo 7
		025 ⇔ 027	Gobo 8
		028 ⇔ 030	Gobo 9
		031 ⇔ 033	Gobo 10
		034 ⇔ 036	Gobo 11
		037 ⇔ 039	Gobo 12
		040 ⇔ 042	Gobo 13
		043 ⇔ 045	Gobo 14
		046 ⇔ 048	Gobo 15
		049 ⇔ 051	Gobo 16
		052 ⇔ 055	Gobo 17
		056 ⇔ 059	Open
		060 ⇔ 063	Gobo 1 shaking, slow to fast
		064 ⇔ 067	Gobo 2 shaking, slow to fast
		068 ⇔ 071	Gobo 3 shaking, slow to fast
		072 ⇔ 075	Gobo 4 shaking, slow to fast
		076 ⇔ 079	Gobo 5 shaking, slow to fast
		080 ⇔ 083	Gobo 6 shaking, slow to fast
		084 ⇔ 087	Gobo 7 shaking, slow to fast
		088 ⇔ 091	Gobo 8 shaking, slow to fast
		092 ⇔ 095	Gobo 9 shaking, slow to fast
		096 ⇔ 099	Gobo 10 shaking, slow to fast
		100 ⇔ 103	Gobo 11 shaking, slow to fast
104 ⇔ 107	Gobo 12 shaking, slow to fast		
108 ⇔ 111	Gobo 13 shaking, slow to fast		
112 ⇔ 115	Gobo 14 shaking, slow to fast		
116 ⇔ 119	Gobo 15 shaking, slow to fast		
120 ⇔ 123	Gobo 16 shaking, slow to fast		
124 ⇔ 127	Gobo 17 shaking, slow to fast		
128 ⇔ 189	Clockwise gobo scroll, fast to slow		
190 ⇔ 193	Stop		
194 ⇔ 255	Counterclockwise gobo scroll, slow to fast		
10	Prism 1	000 ⇔ 004	No function
		005 ⇔ 255	Prism index
11	Prism 1 rotation	000 ⇔ 127	Prism index
		128 ⇔ 189	Clockwise rotation, fast to slow
		190 ⇔ 193	Stop
		194 ⇔ 255	Counterclockwise rotation, slow to fast
12	Prism 2	000 ⇔ 004	No function
		005 ⇔ 255	Prism index
13	Prism 2 rotation	000 ⇔ 127	Prism index
		128 ⇔ 189	Clockwise rotation, fast to slow
		190 ⇔ 193	Stop
		194 ⇔ 255	Counterclockwise rotation, slow to fast

Channel	Function	Value	Percent/Setting
14	Frost	000 ⇔ 255	0–100%
15	Focus	000 ⇔ 255	0–100%
16	Control	000 ⇔ 069	No function
		070 ⇔ 079	Enable pan/tilt blackout
		080 ⇔ 089	Disable pan/tilt blackout
		090 ⇔ 099	Enable blackout while color wheel is moving
		100 ⇔ 109	Disable color wheel blackout
		110 ⇔ 119	Enable blackout while gobo wheels are moving
		120 ⇔ 129	Disable gobo wheel blackout
		130 ⇔ 139	Lamp on
		140 ⇔ 149	Pan/tilt reset
		150 ⇔ 159	Color wheel reset
		160 ⇔ 169	Gobo wheel reset
		170 ⇔ 179	Shutter/prism reset
		180 ⇔ 189	No function
		190 ⇔ 199	Focus reset
		200 ⇔ 209	All reset
		210 ⇔ 219	Enable blackout all function during pan/tilt
220 ⇔ 229	Disable blackout all function during pan/tilt		
230 ⇔ 239	Lamp off		
240 ⇔ 255	No function		

Address

This programming level sets the DMX starting address. In this mode, each product will respond to a unique starting address from the DMX controller. All products with the same starting address will respond in unison. This option sets the products DMX address.

1. Starting from the Main Level screen, select **Address**, press **<ENTER>**.
2. Select the starting address (**001–512**), press **<ENTER>**.

Run Mode

This programming level sets the DMX personality and controls the different test modes.

- Starting from the Main Level screen, select **Running Mode**, press **<ENTER>**.

DMX Personality

This setting allows you to choose a particular DMX personality.

1. Highlight **DMX**, press **<ENTER>**.
2. Select the DMX personality **16** or **19** press **<ENTER>**.



Make sure that the starting addresses on the various products do not overlap due to the new personality setting.

Auto Test

This option runs every attribute individually through 1 cycle.

- Highlight **Auto Test**, press **<ENTER>**.



The Auto Test will end after 1 full cycle. You can stop the test by pressing <MENU> at any time.

Operation

Manual Test

This option allows each attribute to run individually or as a group.

1. Highlight **Manual Test**, press **<ENTER>**.
2. Highlight the desired attribute listed on the control panel screen, press **<ENTER>**.
3. Set the attribute value (**000–255**), press **<ENTER>**.
4. Repeat step 2 for the other attributes.



When exiting the Manual Test level, the values of all tested channels will revert to zero.

Setup

This programming level controls the product's head movement, display, dimming, and fan adjustments.

- Starting from the Main Level screen, select **Setup**, press **<ENTER>**.

Pan Reverse

Reverses the operation of the pan attribute.

1. Highlight **Pan Reverse**, press **<ENTER>**.
2. Select **YES** or **NO**, press **<ENTER>**

Tilt Reverse

Reverses the operation of the tilt attribute.

1. Highlight **Tilt Reverse**, press **<ENTER>**.
2. Select **YES** or **NO**, press **<ENTER>**

Screen Reverse

Reverses the screen display.

1. Highlight **Screen Reverse**, press **<ENTER>**.
2. Select **YES** or **NO**, press **<ENTER>**

Pan Angle

This option assigns pan range.

1. Highlight **Pan Angle**, press **<ENTER>**.
2. Select **540**, **360**, or **180**, press **<ENTER>**.

Tilt Angle

This option assigns tilt range.

1. Highlight **Tilt Angle**, press **<ENTER>**.
2. Select **270**, **180**, or **90**, press **<ENTER>**.

BL.O.P/T Move

Enables/disables blackout on pan/tilt move.

1. Highlight **BL.O.P/T Move**, press **<ENTER>**.
2. Select **YES** or **NO**, press **<ENTER>**.

BL.O.Color Move

Enables/disables blackout on color wheel move.

1. Highlight **BL.O.Color Move**, press **<ENTER>**.
2. Select **YES** or **NO**, press **<ENTER>**.

BL.O.Gobo Move

Enables/disables blackout on gobo wheel move.

1. Highlight **BL.O.Gobo Move**, press **<ENTER>**.
2. Select **YES** or **NO**, press **<ENTER>**.

Lamp Controls

This programming level allows the user to change a range of options that control the action of the lamp.

- Starting from the **Setup** screen level, select **Lamp Settings**, press **<ENTER>**.

Lamp Settings

This option turns the lamp on and off.

1. Highlight **On/Off**, press **<ENTER>**.
2. Select **ON** or **OFF**, press **<ENTER>**.



- **Do not turn product on without a lamp!**
- **ALWAYS** turn the lamp off by using the DMX controller or the product's control panel, then wait at least 5 minutes before switching off the product. This will keep the fans running to extract any remaining heat from the product's head.
- **DO NOT** power cycle the product unless it is necessary.
- **DO NOT** re-strike the lamp immediately after turning it off. Chauvet recommends waiting 5 minutes before trying to re-strike the lamp.

Lamp State

This option determines whether the lamp turns on automatically when the product is powered up.

1. Highlight **State/Power on**, press **<ENTER>**.
2. Select **ON** or **OFF**, press **<ENTER>**.

Remote Turn Off

This option allows a connected DMX controller to turn the lamp on/off via the control channel.

1. Highlight **Off Via Dmx**, press **<ENTER>**.
2. Select **YES** or **NO**, press **<ENTER>**.

Lamp On if DMX Present

This option determines whether the lamp turns on automatically when a DMX signal is detected.

1. Highlight **On If Dmx On**, press **<ENTER>**.
2. Select **YES** or **NO**, press **<ENTER>**.

Lamp Off if DMX Absent

This option determines whether the lamp turns off automatically when a DMX signal is lost.

1. Highlight **Off If Dmx Off**, press **<ENTER>**.
2. Select **YES** or **NO**, press **<ENTER>**.

Lamp Strike Delay

This option sets the duration of time (seconds) it takes for the lamp to turn on when powering up the product.

1. Highlight **Ignition Delay**, press **<ENTER>**.
2. Select **000–255**, press **<ENTER>**.

Lamp Low Power State

This attribute puts the lamp into a low power state when the shutters are closed helping to increase the life of the shutters. This option allows the user to adjust how long from the instant the shutters are closed to the time the lamp enter the low power state.

1. Highlight **Low Power Delay**, press **<ENTER>**.
2. Select **000–255**, press **<ENTER>**.

Lamp Timer

This procedure resets the lamp maintenance timer to **0**. It is recommended that this be done after every lamp change.

1. Highlight **Reset Lamp Time**, press **<ENTER>**.
2. Select **YES** or **NO**, press **<ENTER>**.

Operation

Maintenance Timer

This programming level allows the user to change a range of options that control the action of the maintenance timer.

- Starting from the **Setup** screen level, select **Maintenance Timer**, press **<ENTER>**.

Maintenance Timer Interval

This option defines the amount of time (hours) that the maintenance timer will count down to.

1. Highlight **Interval Time**, press **<ENTER>**.
2. Select **000–250**, press **<ENTER>**.

Maintenance Timer Reset

This procedure resets the lamp maintenance timer to **0**. It is recommended that this be done after every lamp change.

1. Highlight **Remaining Time**, press **<ENTER>**.
2. Select **RESET**, press **<ENTER>**.

Reset Function

This programming level allows the user to reset individual functions to the home position.

- Starting from the **Setup** screen level, select **Reset Function**, press **<ENTER>**.

Pan/Tilt Reset

This option resets the Pan/Tilt functions to the home position.

1. Highlight **Pan/Tilt**, press **<ENTER>**.
2. Select **YES** or **NO**, press **<ENTER>**.

Shutter/Prism Reset

This option resets the Shutter/Prism functions to the home position.

1. Highlight **Shutter/Prism**, press **<ENTER>**.
2. Select **YES** or **NO**, press **<ENTER>**.

Color Reset

This option resets the Color functions to the home position.

1. Highlight **Color**, press **<ENTER>**.
2. Select **YES** or **NO**, press **<ENTER>**.

Gobo Reset

This option resets the Gobo functions to the home position.

1. Highlight **Gobo**, press **<ENTER>**.
2. Select **YES** or **NO**, press **<ENTER>**.

Frost/Focus Reset

This option resets the Frost/Focus functions to the home position.

1. Highlight **Frost/Focus**, press **<ENTER>**.
2. Select **YES** or **NO**, press **<ENTER>**.

All Reset

This option resets the all the functions to the home position.

1. Highlight **All**, press **<ENTER>**.
2. Select **YES** or **NO**, press **<ENTER>**.

Factory Reset Function

This reverts the product back to its original factory settings.

1. Starting from the **Setup** screen level, select **Factory Settings**, press **<ENTER>**.
2. Select **YES** or **NO**, press **<ENTER>**.

System Information

This programming level shows standard information regarding the product's operating status. Starting from the Main Level screen, select **Sys Info**, press **<ENTER>**.

- **Ver:** The current software version is displayed on the screen.
- **Running Mode:** The current Running mode is displayed on the screen.
- **DMX Address:** The current DMX address is displayed on the screen.
- **Temperature:** The current product temperature is displayed on the screen.
- **Fixture Time:** The product's total running time.
- **Lamp On Time:** The amount of time the lamp has been powered on is displayed on the screen.
- **Remain Time:** The amount of time remaining in maintenance cycle is displayed on the screen.
- **UID:** The product UID is displayed on the screen.
- **Fan1/Fan2 Speed:** The speed of Fan 1 or Fan 2 is displayed on the screen.

Offset Mode

The Offset mode provides fine adjustments for the home position of all the moving parts in the optical path as well as the pan and tilt movements. This way, when in their home position, the moving parts do not show any border or reduce the light output.

1. Starting from the Main Level screen, press and hold **<MENU>** until the passcode screen appears.
2. Using **<UP>** to increase the number value and **<DOWN>** to move to the next column, enter **2323**, press **<ENTER>**. This brings you into the Zero Adjust menu screen.

Pan

1. Highlight **PAN**, press **<ENTER>**.
2. Select **000–255**, press **<ENTER>**.

Tilt

1. Highlight **TILT**, press **<ENTER>**.
2. Select **000–255**, press **<ENTER>**.

Shutter1

1. Highlight **SHUT1**, press **<ENTER>**.
2. Select **000–255**, press **<ENTER>**.

Shutter2

1. Highlight **SHUT2**, press **<ENTER>**.
2. Select **000–255**, press **<ENTER>**.

Color

1. Highlight **COLOR**, press **<ENTER>**.
2. Select **000–255**, press **<ENTER>**.

Gobo

1. Highlight **GOBO**, press **<ENTER>**.
2. Select **000–255**, press **<ENTER>**.

Prism 1

1. Highlight **PRISM1**, press **<ENTER>**.
2. Select **000–255**, press **<ENTER>**.

Rotating Prism 1

1. Highlight **PRISM1 ROTATE**, press **<ENTER>**.
2. Select **000–255**, press **<ENTER>**.

Prism 2

1. Highlight **PRISM2**, press **<ENTER>**.
2. Select **000–255**, press **<ENTER>**.

Rotating Prism 2

1. Highlight **PRISM2 ROTATE**, press **<ENTER>**.
2. Select **000–255**, press **<ENTER>**.

Operation

Focus

1. Highlight **FOCUS**, press <ENTER>.
2. Select **000–255**, press <ENTER>.

Frost

1. Highlight **FROST**, press <ENTER>.
2. Select **000–255**, press <ENTER>.

Mac 4

1. Highlight **MAC4**, press <ENTER>.
2. Select **000–255**, press <ENTER>.

Mac 5

1. Highlight **MAC5**, press <ENTER>.
2. Select **000–255**, press <ENTER>.

Mac 6

1. Highlight **MAC6**, press <ENTER>.
2. Select **000–255**, press <ENTER>.

5. Technical Information

Product Maintenance

To maintain optimum performance and minimize wear, clean this product frequently. Usage and environment are contributing factors in determining the cleaning frequency.

Clean this product at least twice a month. Dust build-up reduces light output performance and can cause overheating. This can lead to reduced light source life and increased mechanical wear.

To clean the product:

1. Unplug the product from power.
2. Wait until the product is at room temperature.
3. Use a vacuum (or dry compressed air) and a soft brush to remove dust collected on the external vents.
4. Clean all transparent surfaces with a mild soap solution, ammonia-free glass cleaner, or isopropyl alcohol.
5. Apply the solution directly to a soft, lint-free cotton cloth or a lens cleaning tissue.
6. Softly drag any dirt or grime to the outside of the transparent surface.
7. Gently polish the transparent surfaces until they are free of haze and lint.



Always dry the transparent surfaces carefully after cleaning them.



Do not spin the cooling fans while blowing compressed air into them.

Technical Specifications

6. Technical Specifications

Dimensions and Weight

Length	Width	Height	Weight
12.79 in (325 mm)	8.66 in (220 mm)	21.65 in (550 mm)	34.4 lb (15.6 kg)

Note: Dimensions in inches rounded to the nearest hundredth.

Power

Power Supply Type	Range	Voltage Selection
Switching (internal)	100 to 240 VAC, 50/60 Hz	Auto-ranging

Parameter	100 V, 60 Hz	120 V, 60 Hz	208 V, 60 Hz	230 V, 50 Hz	240 V, 50 Hz
Consumption	422 W	418 W	411 W	411 W	406 W
Operating current	4.20 A	3.55 A	1.98 A	1.78 A	1.68 A
Fuse	F7A, 250 V	F7A, 250 V	F7A, 250 V	F7A, 250 V	F7A, 250 V

Power I/O	U.S./Canada	Worldwide
Power input connector	Neutrik® powerCON® power cable	Neutrik® powerCON® power cable
Power cable plug	Edison (U.S.)	Local plug

Light Source

Type	Color Temperature	Lifespan
300W NSL Ushio lamp	7657 K	8,000 hours

Photometrics

Beam angle	Field angle	Cutoff angle	Illuminance @ 15 m
0.8°	1.6°	2°	208,006 lux

Thermal

Ambient Temperature Range	Cooling System
-4 °F to 113 °F (-20° C to 45 °C)	Fan-assisted convection

DMX

I/O Connector	Channel Range
3- and 5-pin XLR	16 or 19

Ordering

Product Name	Item Code	UPC Number
Rogue R3 Beam	08011732	781462220716



Returns

Send the product prepaid, in the original box, and with the original packing and accessories. Chauvet will not issue call tags.

Call Chauvet and request a Return Merchandise Authorization (RMA) number before shipping the product. Be prepared to provide the model number, serial number, and a brief description of the cause(s) for the return.

To submit a service request online, go to www.chauvetprofessional.com/service-request.

Clearly label the package with an RMA number. Chauvet will refuse any product returned without an RMA number.



Write the RMA number on a properly affixed label. DO NOT write the RMA number directly on the box.

Once you have the RMA number, provide the following information on a piece of paper and place it inside the box:

- Your name
- Your address
- Your phone number
- RMA number
- A brief description of the problem

Be sure to pack the product properly. Any shipping damage resulting from inadequate packaging will be your responsibility. FedEx packing or double-boxing are recommended.



Chauvet reserves the right to use its own discretion to repair or replace returned product(s).

Contact Us

General Information	Technical Support
World Headquarters	
Address: 5200 NW 108th Ave. Sunrise, FL 33351 Voice: (954) 577-4455 Fax: (954) 929-5560 Toll Free: (800) 762-1084	Voice: (844) 393-7575 Fax: (954) 756-8015 Email: chauvetcs@chauvetlighting.com Website: www.chauvetprofessional.com
U.K.	
Address: Unit 1C Brookhill Road Industrial Estate Pinxton, Nottingham, UK NG16 6NT Voice: +44 (0) 1773 511115 Fax: +44 (0) 1773 511110	Email: UKtech@chauvetlighting.eu Website: www.chauvetprofessional.eu
Benelux	
Address: Stokstraat 18 9770 Kruishoutem Belgium Voice: +32 9 388 93 97	Email: BNLtech@chauvetlighting.eu Website: www.chauvetprofessional.eu
France	
Address: 3, Rue Ampère 91380 Chilly-Mazarin France Voice: +33 1 78 85 33 59	Email: FRtech@chauvetlighting.fr Website: www.chauvetprofessional.eu
Germany	
Address: Bruno-Bürgel-Str. 11 28759 Bremen Germany Voice: +49 421 62 60 20	Email: DEtech@chauvetlighting.de Website: www.chauvetprofessional.eu
Mexico	
Address: Av. de las Partidas 34 - 3B (Entrance by Calle 2) Zona Industrial Lerma Lerma, Edo. de México, CP 52000 Voice: +52 (728) 690-2010	Email: servicio@chauvet.com.mx Website: www.chauvetprofessional.mx

Visit the applicable website above to verify our contact information and instructions to request support. Outside the U.S., U.K., Ireland, Mexico, France, Germany, or Benelux, contact the dealer of record.