

VL2600 WASH

Date: _____

Type: _____

Firm Name: _____

Project: _____

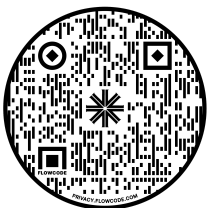
The VL2600 Wash is designed with top-class performance and cost-effective ownership in mind. It produces 22,000 lumens of high color temperature, high contrast light output from its state-of-the-art 550 W light engine, with a class-leading zoom range of 12-63°. The VL2600 Wash includes an internal, beam-shaping framing system and has an adjustable beam edge feature (PC or Fresnel). It also expands on the color range of the VL2500, offering a broader choice of saturated colors whilst maintaining the familiar Vari-Lite color pallet from a CMY color system with variable CTO adjustment, plus a 7-color fixed wheel. Compact, lightweight, fast and accurate, the VL2600 Wash is engineered to be easy to use, prep and maintain. The VL2600 Wash is one of three luminaires designed as the LED generation update for the popular VL2500 Series. A full system lighting solution with dedicated Spot, Wash and Profile fixtures, the VL2600 range combines Vari-Lite quality and performance with the latest LED technology, all engineered to deliver the best possible package to the mid-sized show lighting segment.



- Lower power consumption – approx. 820 W (550 W LED engine).
- High output – 22,000 lumens.
- High color temperature – 7200 K.
- Good color rendering.
- Wide zoom range – 12° to 63°.
- Color mixing – CMY and variable CTO.

- Fixed color wheel (7 + open).
- Adjustable beam edge – PC to Fresnel.
- Beam-shaping framing system.
- Compact design.
- Fast and accurate movement (FP=3s, FT=2s).

For detailed product information, please refer to the Product Guide at <https://www.vari-lite.com/global/products/vl2600-wash>



VARI*LITE

Specifications

Due to continuous improvements and innovations, specifications may change without notice.

Source

ESE LED System	Monochromatic Light Engine
Source Max Power Consumption	550 W
Source Lumens	36000
Source CCT	8000 K
LED Refresh Rate	500Hz to 25KHz
Dimming	Electronic 16-bit
Dimmer Curves	Square Law (Default), Linear, S -Curve
Dimmer Control Option	Dimmer Snap On/Off On Increases speed of mechanical shutter override of glass dimmer
Strobe Speed	0 - 30Hz
Strobe Modes	Continuous, Random, Random Sync

Optical Performance

Lens Size	180 mm (7.0 in)
Zoom Range	12 - 63°
Zoom Control	Motorized 16-Bit
Focus	Motorized 16-Bit Control
Output Lumens	Standard - 22,000
Output CCT	7200 K
CRI RA	84
Tm30	Rf 80 / Rg 94

Color System

Subtractive Color Mixing	CMY Glass Flags
Color Mixing Control	CMY 8-bit
Color Mixing Control Option	Color Snap On/Off On reduces auto smoothing color to create faster color changes
Variable CTO	7200 to 3200 K
Fixed Color Wheel	7 Colors + Open
Color Wheel Effects	Split Colors, Color Wheel Spin, and Shake

Imaging

Framing Shutters	4 Blade - Full Wipe +/-90° rotation
Beam Softening	PC to Fresnel

Electrical

Max output Power Consumption	820 W
Power Connection	Neutrik TrueOne - Power in only Power cable not included - input connector only
Input Voltage	100–240 VAC, 50 / 60 Hz

Data

Supported Protocols	DMX (RDM), ArtNet
DMX Modes	
16-Bit Enhanced	32 Channels
16-Bit	29 Channels
Data Connections	5 - PIN XLR Input & Thru, RJ45 Input
Manual Mode	On Board local Control

Noise Level / Fan Control (Base Level 30 dB)

Standard Mode	48.5 dB
Studio Mode	43 dB
Silent Mode (UI Activation Only)	31 dB
Fan Mode	Continuous (On) / Auto Ramping
Fan Level Preset	Standard / Studio / Silent* (*UI Only)
Cooling System Type	Hybrid sealed liquid and forced air system

Movement

Pan Angle	540°
Pan Speed	3.4 s
Tilt Angle	270°
Tilt Speed	2.5 s

Mounting

Hanging Type	2 x V/L Hook Rails
Hanging Centers	600.0 mm (24.0 in)
Fixture mounting/Hanging orientation	Hanging - Floor - Side *See user manual for side hang guidance and restrictions
Secondary Safety Wire Point	1 x Safety point located on underside of upper enclosure Safety Wire not included

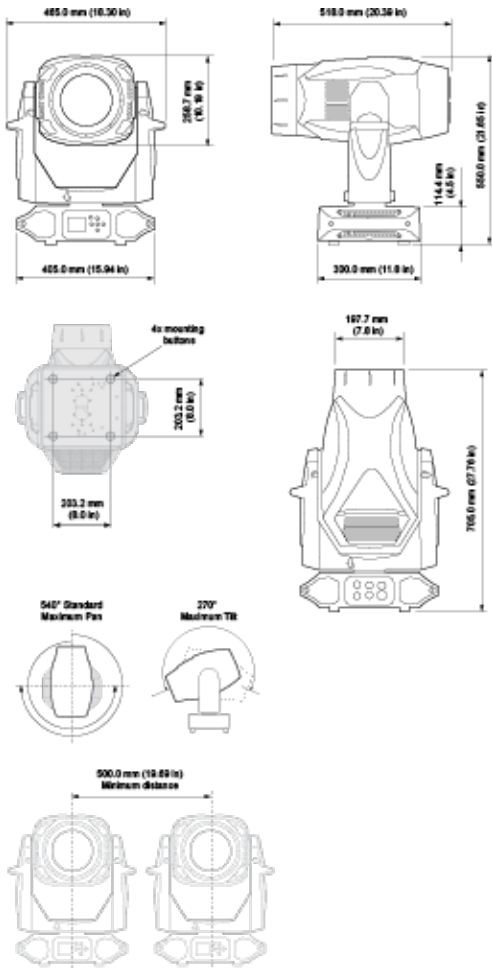
Photometrics and IES Files

48° Beam @ 5 m / 16.4 ft	9,284 lux (863 fc)
7° Beam @ 10 m / 32.8 ft	1,789 lux (863 fc)
48° Beam @ 10 m / 32.8 ft	447 lux (42 fc)

For IES files and photometric reports, please refer to the product page:

<https://www.vari-lite.com/global/products/vl2600-wash>

Dimensions



Physical

Construction	Superstructure made of Aluminum, and steel metal plates, Covers self-extinguishing fire retardant ABS PC (V0 class)
IP Rating	IP20
Standard Finish	Black, White
Dimensions	300 x 464 x 705 mm (12.0 x 18.0 x 29.0 in)
Fixture Weight	30.0 kg (67.0 lb)
Operating Temperature	-10-45°C (14-113°F)

Certification and Safety

Approbations	CE, ETL, UL, FCC CSA, RoHS, ISO 9001
--------------	--------------------------------------

Luminaire and Accessories

Product type	Order Code
VL2600 WASH, Black	88-105-7340-00
VL2600 WASH, White	88-105-7340-10

Accessories	
GT Truss Rail	22.9708.0835
VL Hanging Rail, 1 x GT Truss drop rail, c/w VL1600, VL4000, VL2600, VLZ series and VL10,	



© 2023 Signify Holding. All rights reserved. All trademarks are owned by Signify Holding or their respective owners. The information provided herein is subject to change, without notice. Signify does not give any representation or warranty as to the accuracy or completeness of the information included herein and shall not be liable for any action in reliance thereon. The information presented in this document is not intended as any commercial offer and does not form part of any quotation or contract, unless otherwise agreed by Signify. Data subject to change.

Vari-Lite
<https://www.vari-lite.com/global/products/M2600-wash>