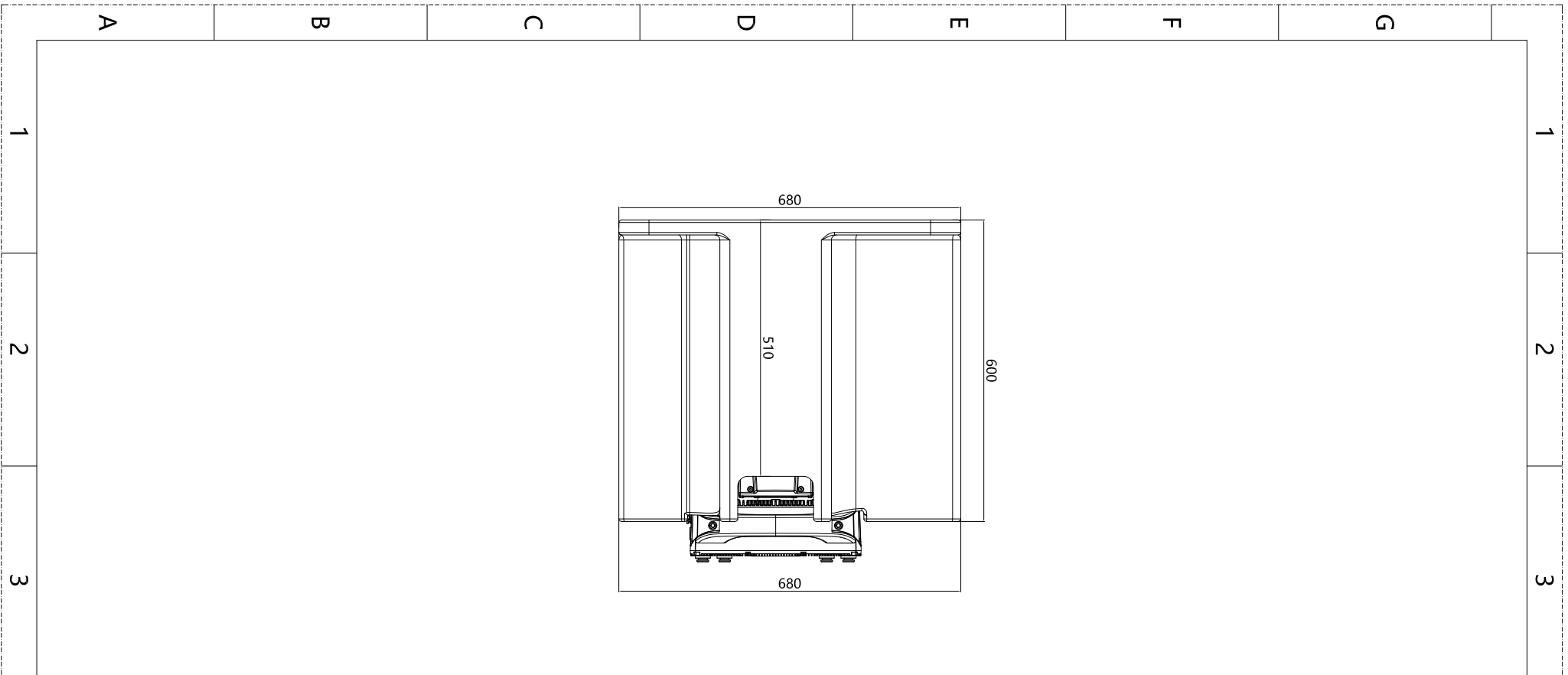
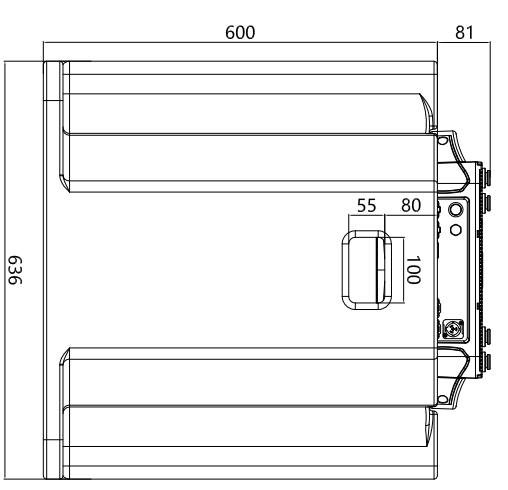
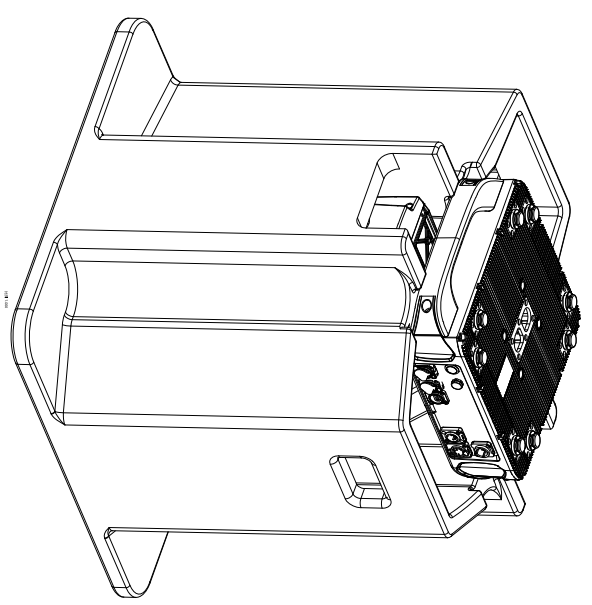
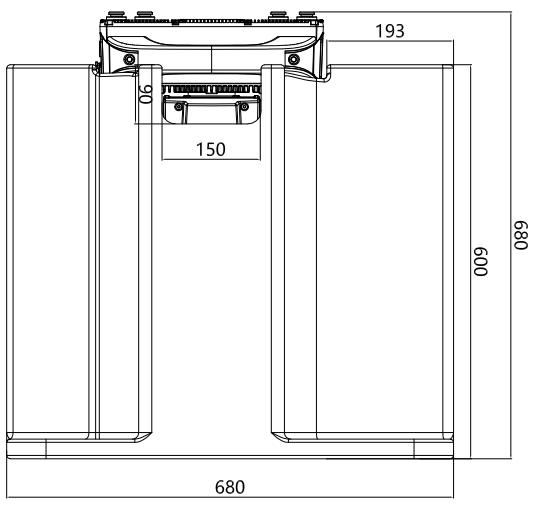
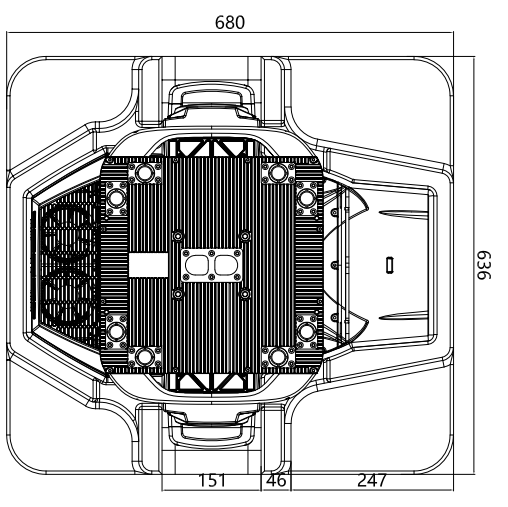
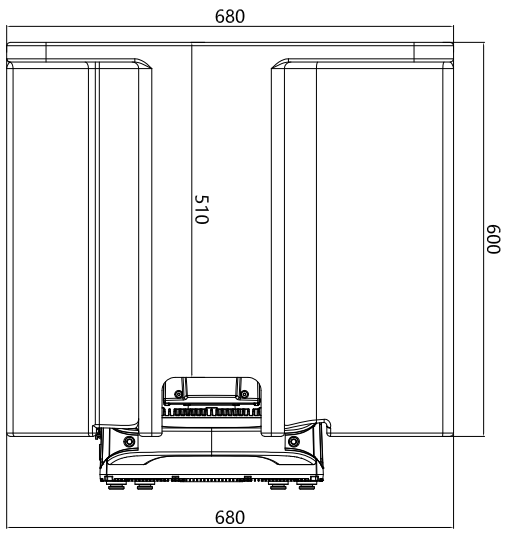
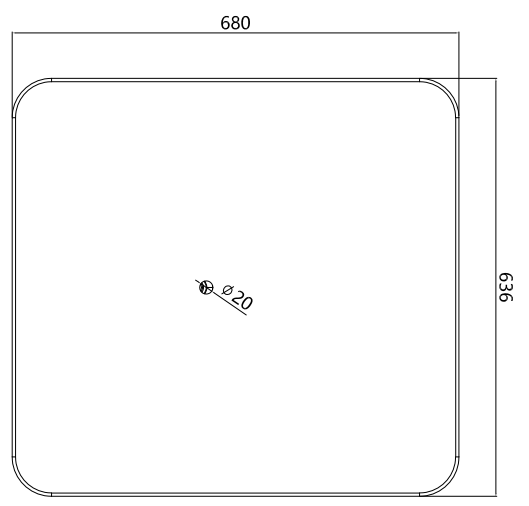
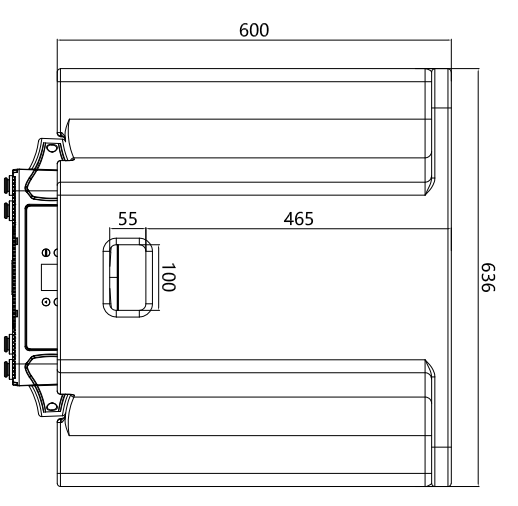


1 2 3 4 5 6 7 8 9 10 11



REV	ECO #	DESCRIPTION	DATE	BY	CHECKED BY	DATE	SCALE	SHEET	OF
-	N/A	RELEASE TO PRODUCTION	08/08/22	RM				1	1

DRAWN BY: RMOEN 08/08/2022		DATE: 08/08/2022	
CHECKED BY: RMOEN 08/08/2022		DATE: 08/08/2022	
PROJECT ENGR.: RMOEN		DRAWING NO.: N/A	
DOCUMENTATION: 08/08/2022		SCALE: N/A	
FINISH: N/A		SHEET 1 OF 1	
MATERIAL: N/A		REV: -	
TOLERANCES: XX = ± .02		TITLE: V13000 PROFILE IP SIP DESIGN	
XXX = ± .005		DRAWING NO.: N/A	
ANGLES = ±		SHEET 1 OF 1	

UNLESS OTHERWISE SPECIFIED, ALL DIMENSIONS ARE IN INCHES OR (MILLIMETERS)		DRAWN BY: RMOEN 08/08/2022	
PROJECT ENGR.: RMOEN		DATE: 08/08/2022	
DOCUMENTATION: 08/08/2022		DRAWING NO.: N/A	
FINISH: N/A		SCALE: N/A	
MATERIAL: N/A		SHEET 1 OF 1	
TOLERANCES: XX = ± .02		TITLE: V13000 PROFILE IP SIP DESIGN	
XXX = ± .005		DRAWING NO.: N/A	
ANGLES = ±		SHEET 1 OF 1	

VAR-LITE, LLC. 10911 PETAL ST. DALLAS, TX 75238	
---	--

