

# Performer<sup>®</sup> Hoist

The Performer hoist is built for portability, or to be moved at the discretion of the director. Its servo motor drive delivers high dynamic capabilities in a small package. Our limit switches can be set without the use of tools, making your setup smooth and efficient. The durable construction and finish can handle the demands of life on the road.

Designed for use in accordance with ANSI E1.43 2016 Performer Flying Systems.

- 600 lbs (272 kg)\* dynamic working load
- Speed to 480 ft/min (0–2.4 m/s)
- 100' (30.5 m) drum capacity
- 1/4" (6 mm) rope diameter

\*Capacity shown is characteristic load as defined in ANSI E1.43 - 2016 Performer Flying Systems.

## Applications

Venues running shows with aerial performers.

## Features

- Moving drum for constant fleet angle
- Capable of dual rope terminations for closed loop operations
- Digital load measurement
- End of travel switches adjust without tools
- Integral servo drive cabinet
- Cable pinch roller
- Rope can reeve from top or bottom of hoist

## Safety

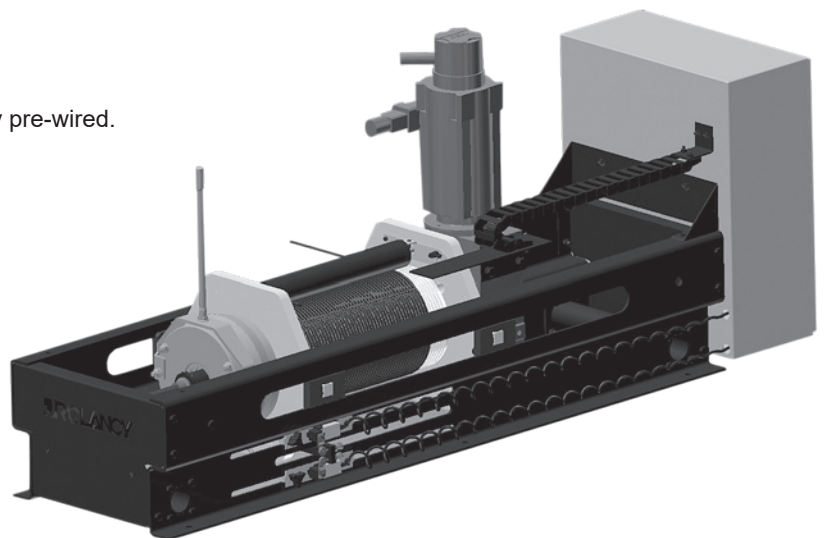
- Dynamic load measurement and fault response
- Constant comparison between redundant encoders
- Crossed groove detectors
- Redundant brakes
- Redundant encoders

## Mounting

It can be mounted upright or underhung.

## Power and Wiring Information

Available for virtually any 3-phase voltage and frequency. AC servo drive cabinet integral on hoist frame and factory pre-wired.



## Dimensions

- 72.5" w x 20.6" d x 31.6" h (1842 mm x 523 mm x 803 mm)

## Warranty and Support

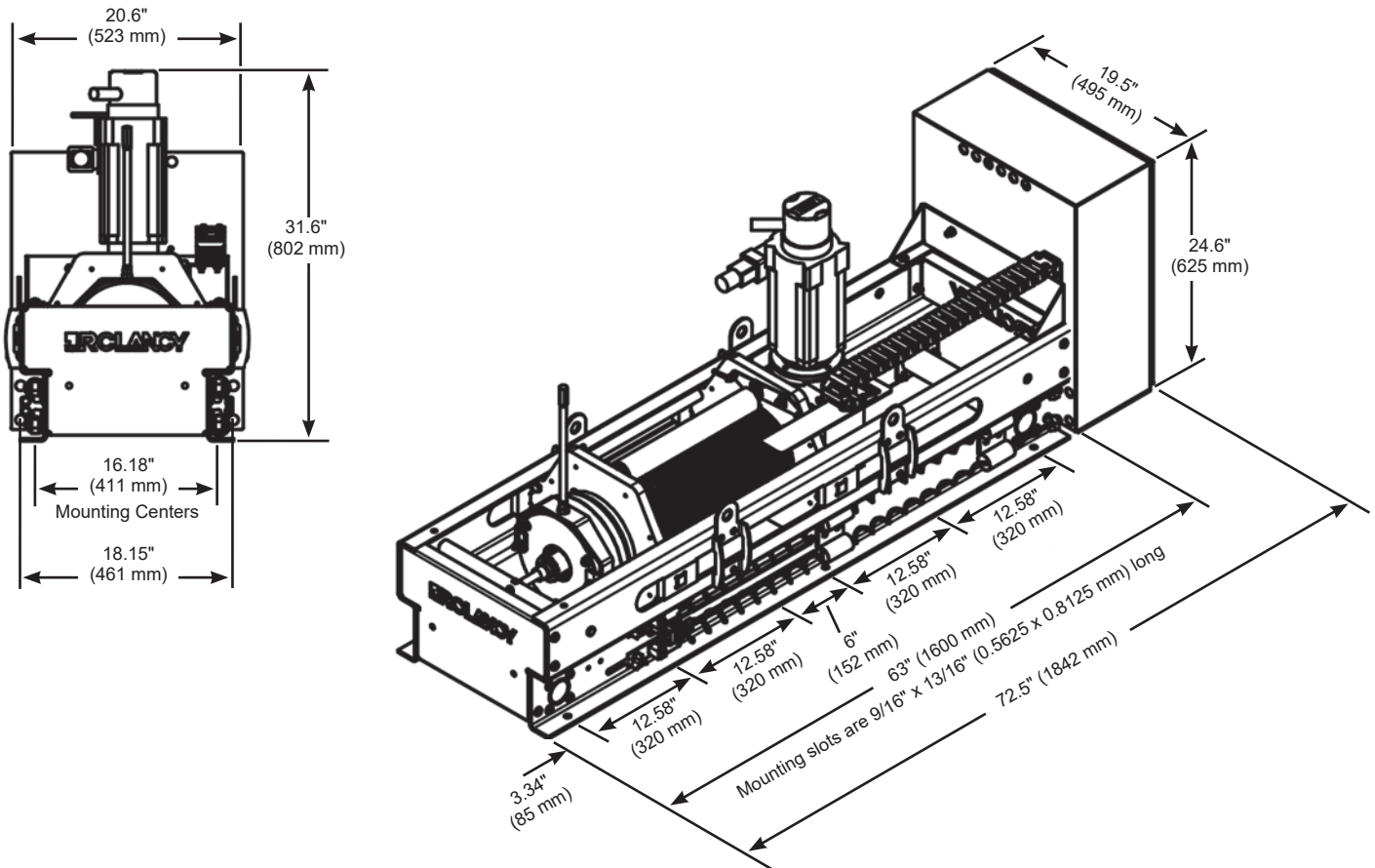
**Three-Year Warranty** against defects in materials or workmanship is provided on all J.R. Clancy equipment. Our warranty is contingent on operation by trained personnel and an annual equipment inspection of a J.R. Clancy authorized technician.

**24/7 factory technical support** with additional service and assistance provided by a worldwide network of J.R. Clancy authorized dealers.

**Inspection and maintenance** are available through J.R. Clancy's T.I.M.® (Train, Inspect, Maintain) Program. For more information call 1-800-836-1885 or email [service@jrclancy.com](mailto:service@jrclancy.com).

## Additional Information

Additional information on J.R. Clancy hoists is available at [www.jrclancy.com](http://www.jrclancy.com).



## Order Information:

Number	Description
018-1855A	Performer Aerial Hoist 600 lb (272 kg)*, 480 fpm (2.4 m/s)
018-1855B	Performer Aerial Hoist 330 lb (150 kg)*, 590 fpm (4.0 m/s)

\*Capacity shown is characteristic load as defined in ANSI E1.43 - 2016 Performer Flying Systems.



### Music Education and Performing Arts

Owatonna Office: Phone 800.4WENGER (493-6437) Worldwide +1.507.455.4100 | Parts & Service 800.887.7145 | [wengercorp.com](http://wengercorp.com)  
555 Park Drive, PO Box 448 | Owatonna | MN 55060-0448

Syracuse Office: Phone 800.836.1885 Worldwide +1.315.451.3440 | [jrclancy.com](http://jrclancy.com) | 7041 Interstate Island Road | Syracuse | NY 13209-9713

**Athletics** Phone 800.493.6437 | email [gearboss@wengercorp.com](mailto:gearboss@wengercorp.com) | [gearboss.com](http://gearboss.com) | 555 Park Drive, PO Box 448 | Owatonna | MN 55060-0448