



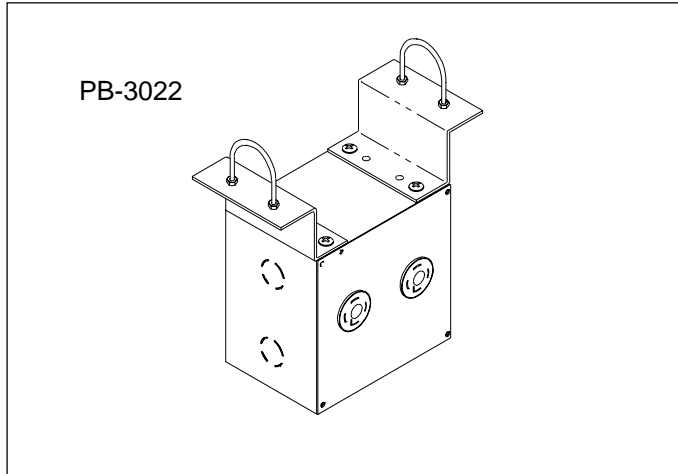
Features

- 16-gauge construction

Pipe Mount Plug-In Boxes

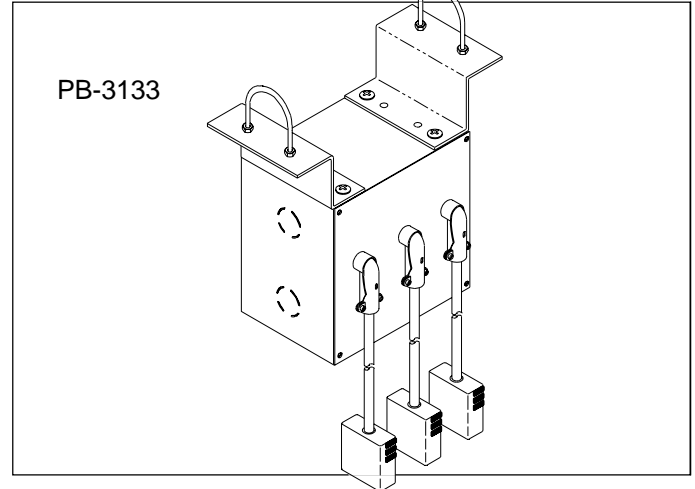
Series 3000

Pipe Mount with Flush Receptacles



Series 3100

Pipe Mount with Pigtail Receptacles



Specifications

Pipe-mount plug boxes shall be constructed of 14-gauge steel. Knockouts are provided on each end and bottom, with interior terminal strip.

Pigtails, if provided, are 18" rubber covered SO 12/3 cable with strain relief. Custom lengths are available.

Receptacles will be provided as specified. Circuit numbering shall be on the box face in 1" high white numbers, or as indicated in plans and specifications.

Mounting is by means of a U-bolt attached to the batten and secured inside the box.

Custom configurations are available by request.

Pipe Mount

Flush			Pigtail		
Model	H	W x D	Model	H	W x D
PB-3022	6"	6" 4"	PB-312_	6"	6" 4"
PB-303_	6"	10" 4"	PB-3133	6"	10" 4"
PB-304_	6"	12" 4"	PB-314_	6"	12" 4"
PB-305_	6"	14" 4"	PB-315_	6"	14" 4"
PB-306_	6"	16" 4"	PB-316_	6"	16" 4"

Connector Types

(1) PBG Parallel Blade Ground	(2) GTL Grounded Twist Lock	(3) GSP Grounded Stage Pin

Ordering Information: Pipe Mount Plug-in Boxes

NOTE: All plug box model numbers are prefaced by 655-

Flush Receptacles:

3000 Series	Qty
<input type="checkbox"/> PB-302_	___
<input type="checkbox"/> PB-303_	___
<input type="checkbox"/> PB-304_	___

Pigtail Receptacles:

3100 Series	Qty
<input type="checkbox"/> PB-312_	___
<input type="checkbox"/> PB-313_	___
<input type="checkbox"/> PB-314_	___

Qty
<input type="checkbox"/> PB-315_
<input type="checkbox"/> PB-316_

Connector Type

<input type="checkbox"/> (1) PBG	<input type="checkbox"/> (3) GSP
<input type="checkbox"/> (2) GTL	<input type="checkbox"/> (4) SP

JOB NUMBER:

APPROVAL STAMP

JOB NAME:

CUSTOMER:

P. O. #

Electronics Diversified, Inc.

PRODUCT DATA SHEET

1675 N.W. Cornelius Pass Road ● Hillsboro, Oregon 97124 U.S.A.

D104

Phone: (503) 645-5533 ● FAX: (503) 629-9877 ● Web Site: www.edionline.com

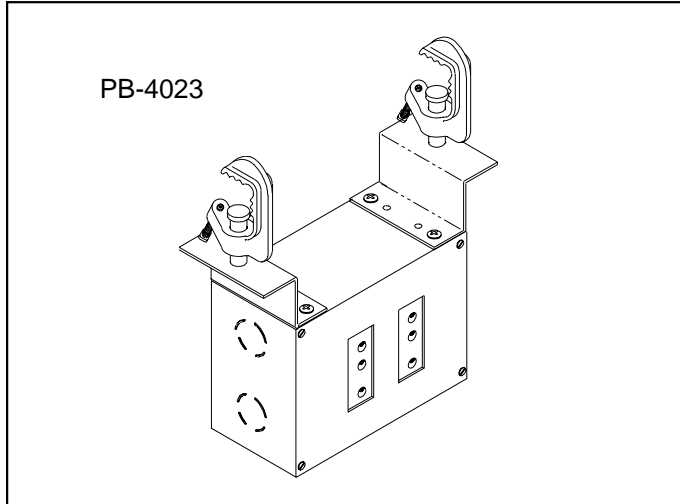
Features

- Reinforced two-layer top
- 16-gauge construction

Grid-Drop Mount

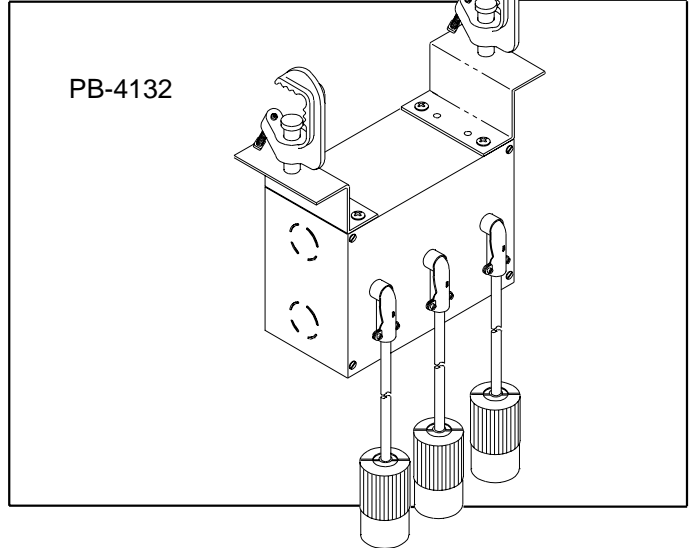
Series 4000

Grid-Drop with Flush Receptacles



Series 4100

Grid-Drop with 18" Pigtail Receptacles



Specifications

Grid-Drop plug boxes shall be constructed of 14-gauge steel, with reinforced two-layer top, and finished in black enamel.

Knockouts are provided on each end and bottom, with interior terminal strip. Pigtails, if provided, are 18" rubber covered SO 12/3 cable with strain relief. Custom lengths are available.

Receptacles will be provided as specified. Circuit numbering shall be on the box face in 1" high, white numbers, or as indicated in plans and specifications.

Mounting is by means of 2" C-clamps to the batten.

Custom configurations are available by request.

Grid Drop Box

Flush		Pigtail	
Model	H x W x D	Model	H x W x D
PB-4023	6" 6" 4"	PB-412_	6" 6" 4"
PB-403_	6" 10" 4"	PB-4132	6" 10" 4"
PB-404_	6" 12" 4"	PB-414_	6" 12" 4"
PB-405_	6" 14" 4"	PB-415_	6" 14" 4"
PB-406_	6" 16" 4"	PB-416_	6" 16" 4"

Connector Types

(1) PBG Parallel Blade Ground	(2) GTL Grounded Twist Lock	(3) GSP Grounded Stage Pin

Ordering Information: Pipe Mount Plug-in Boxes

NOTE: All plug box model numbers are prefaced by 655-

Flush Receptacles:

4000 Series Qty
 PB-402_ ___
 PB-403_ ___
 PB-404_ ___

Pigtail Receptacles:

4100 Series Qty
 PB-412_ ___
 PB-413_ ___
 PB-414_ ___

Connector Type

(1) PBG (3) GSP
 (2) GTL (4) SP

JOB NUMBER:

APPROVAL STAMP

JOB NAME:

CUSTOMER:

P. O. #

Specifications subject to change without notice. Specification applicable to standard products only.
 ©1998 Electronics Diversified, Inc. All rights reserved. Printed in U.S.A.
 D104 0401