

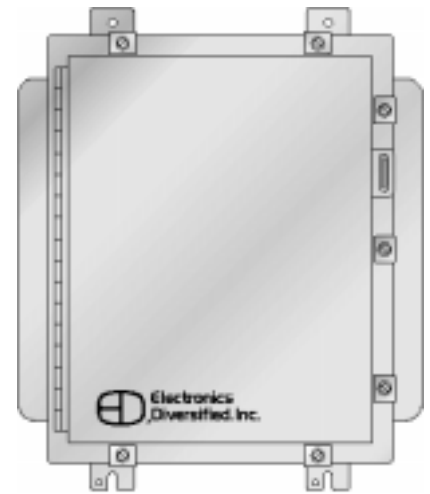


Dimmer Packs

AK-6 Dimmer

Features

- U.L., c-U.L. Listed
- DMX 512 Control
- Convection Cooled
- Overtemp Protected
- 6 - 2400 Watt SCR Dimmers
- 120 or 240V Models Available
- Corrosion-resistant NEMA Type 4 Enclosure
- Compatible with Electronic Low Voltage Fixtures
- Suitable for Outdoor Use or Areas that are Very Wet



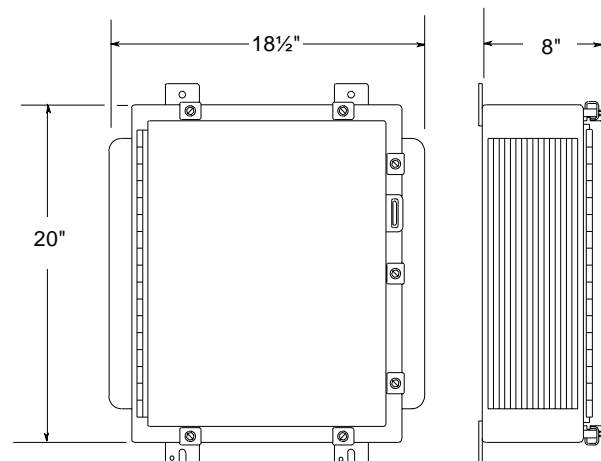
Description

The AK-6 Dimmer offers a unique design which allows it to be used outdoors, or in very wet locations with no individual protection.

The AK-6 Dimmer series is a DMX based control system that accepts industry standard DMX512 signals. Each dimmer is supplied with rotary DMX512 address switches. More than one AK-6 dimmer may operate from the same start address. The AK-6 series of dimmers are easy to service with a removable door which allows access to the components of the unit.

All user serviceable parts, including the solid state relay assembly, are easily replaceable.

Dimensions



Ordering Information:

Dimmer:

- AK-6/120/TS (6-2.4Kw Dimmers)

JOB NUMBER:

APPROVAL STAMP

JOB NAME:

CUSTOMER:

P. O. #

Electronics Diversified, Inc.

PRODUCT DATA SHEET

P204

1675 N.W. Cornelius Pass Road ● Hillsboro, Oregon 97124 U.S.A.

Phone: (503) 645-5533 ● FAX: (503) 629-9877 ● Web Site: www.EDIOne.com

Electrical Characteristics

Input Power: 120VAC, 50/60 Hz, 1Ø 120 Amps.

Output: Six 2400Watt Circuits.

Efficiency: 98%.

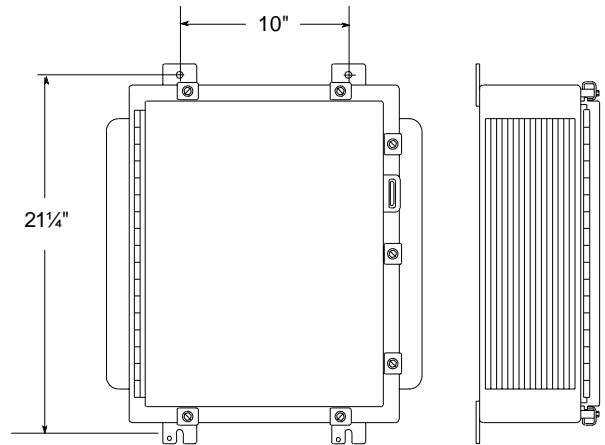
Mechanical Characteristics

Dimensions: 20" H x 18½" W x 8" D
(50.8cm x 47.0cm x 20.3cm)

Shipping Weight: 25 lbs. (11.34kg)

Enclosure: Heavy-gauge brushed aluminum.
Nomenclature permanently silk-screened.

Mounting



Specifications

- The dimmer shall be fully enclosed in a NEMA Type 4X enclosure and suitable for outdoor use, or for areas that are regularly hosed down or are otherwise very wet.
There shall be no ventilation or other openings in the enclosure.
- There shall be six 2400 watt dimmers.
- The dimmers shall dim standard, low voltage incandescent, and electronic transformer low voltage loads.
- The dimmer shall be convection cooled. There shall be a thermal sensor to shut down the dimmers when the internal temperature exceeds 185° F. (80° C).
- The dimmers shall use an encapsulated pair of silicon controlled rectifiers to provide symmetrical alternating current output to the load at any output level from OFF to FULL intensity. The entire load of the dimmer shall be carried solely by the silicon controlled rectifiers. The silicon controlled rectifier shall be of a plug-in style. Dimmers which employ Triacs, soldered in devices or without thermal protection shall not be acceptable.
- Each individual dimmer shall be protected by a fully magnetic circuit breaker.
- Each dimmed circuit shall have an individual toroidal choke to limit interference.
- The power efficiency shall be a minimum of 98%. The maximum heat loss shall be no greater than 100 BTU per Kw of connected load.
- The dimmers shall be controlled by a standard USITT DMX-512 control signal.
- The dimmers shall operate over an input voltage range of 90 to 140 VAC. Nominal voltage shall be 120 VAC.
- All dimming functions shall be microprocessor controlled with no internal trim pots or other adjustments.
- The dimmers shall automatically compensate for 50 or 60 Hz. input power.
- The dimmer shall be strappable for operation from either 120 or 240 Volt operation.
- There shall be indicators to show, individual dimmer intensity, receipt of a valid DMX-512 signal, Input power, and over temperature conditions.
- The dimmer shall be U.L. Listed.
- The dimmer shall be the AK-6 Dimmer series as manufactured by Electronics Diversified, Inc. Hillsboro, Oregon, 97124 U.S.A.

Specifications subject to change without notice. Specification applicable to standard products only.
©1998 Electronics Diversified, Inc. All rights reserved. Printed in USA.
P204 0798



**Electronics
Diversified, Inc.**

1675 N.W. Cornelius Pass Road Hillsboro, Oregon 97124 U.S.A. Phone Toll Free: 1-800-547-2690