

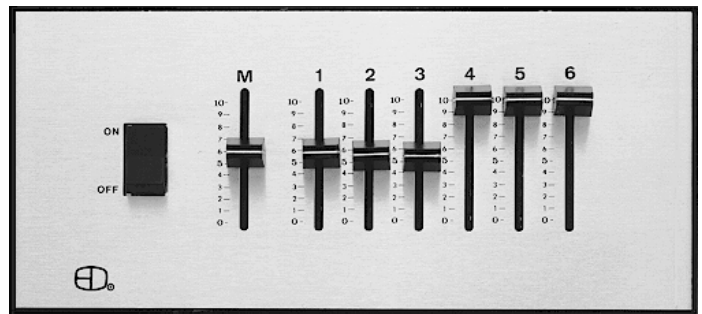


Architectural Slide Controls

Features

- Simple zone controls
- No visible mounting hardware
- Single button activates station
- Remote lock-out option available
- Stations may be daisy-chained together
- Take Control and Full On option available
- Utilizes simple analog control for easy installation
- Wallplates mount in standard masonry backboxes
- Simple to operate -- linear control with 45mm travel
- Custom color faceplates and nomenclature available
- Master slider on systems with three or more channels
- Custom faceplates with nine or more channels available

Designer Series Wallplates



Description

The Designer Series wallplates allow for multiple location control of one or more lighting channels by a combination of slide potentiometers, switches, and pushbuttons. Control of each channel is available from its corresponding slider.

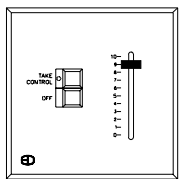
slider to simultaneously control all channels.

An Off, Take Control and/or Full on switch allows lights to be turned off or selected full on without disturbing the slider settings.

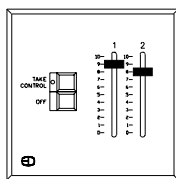
Wallplates with three or more channels include a proportional master

Easy to operate, the Designer Series control station wallplates add low-profile lighting control to any room.

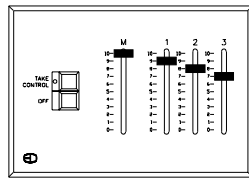
Ordering Information



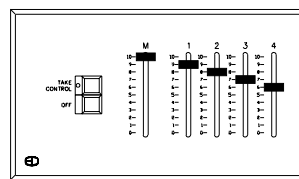
D Series 301 1-Channel



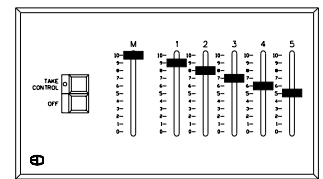
D Series 302 2-Channel



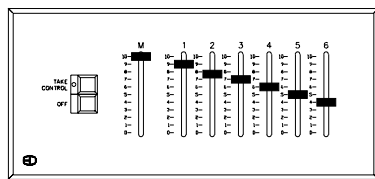
D Series 303 3-Channel with Master



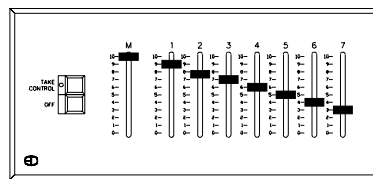
D Series 304 4-Channel with Master



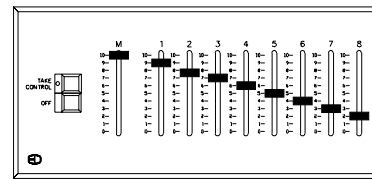
D Series 305 5-Channel with Master



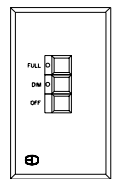
D Series 306 6-Channel with Master



D Series 307 7-Channel with Master



D Series 308 8-Channel with Master



D Series Walk-thru

Options:

- On/Off (2)
- Take Control (3)
- Full (4)

Control Stations

- D()00 Walk-thru
- D()01 1-Channel
- D()02 2-Channel

Control Stations with Master Control Slider

- D()03 3-Channel
- D()04 4-Channel
- D()05 5-Channel
- D()06 6-Channel
- D()07 7-Channel
- D()08 8-Channel

Custom:

- Designer Series: Channels
- Color #
-

JOB NUMBER:

APPROVAL STAMP

JOB NAME:

CUSTOMER:

P. O. #

Electronics Diversified, Inc.

PRODUCT DATA SHEET

1675 N.W. Cornelius Pass Road ● Hillsboro, Oregon 97124 U.S.A.

A300

Phone: (503) 645-5533 ● FAX: (503) 629-9877 ● Web Site: www.edionline.com

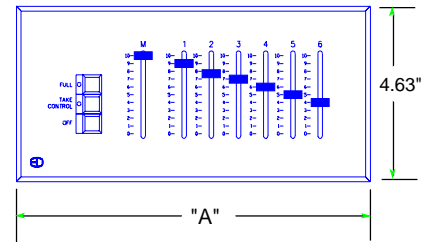
Electrical & Wiring Data

Control Voltage: 10 Volts DC
 Conductor type: 18 AWG

- A. All wiring is Class II.
- B. Ten percent spare wire count recommended.
- C. All connections to wallplate are by labeled wires.
- D. Other configurations available -- consult factory.

Model No. (2), (3), (4)	Type of Control:	Number of Conductors		
		(2) On/Off	(3) Take Control	(4) Full
D 01		3	5	6
D 02		4	6	7
D 03		5	7	8
D 04		6	8	9
D 05		7	9	10
D406		8	10	11
D 07		9	11	12
D 08		10	12	13
D 09--up	For more than 8 sliders, consult factory			

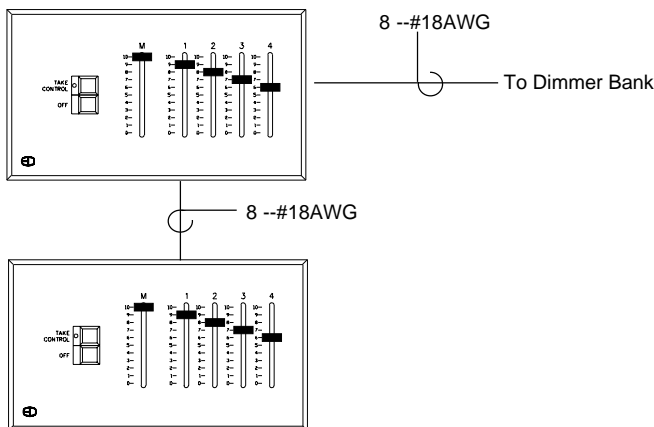
Dimensions



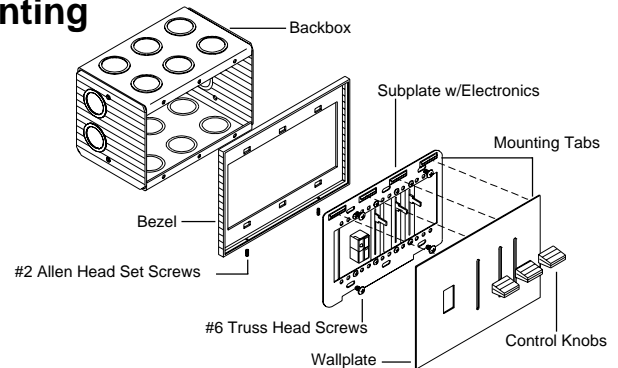
Model No.	Dim. "A"	Wallbox Size	
		Width	Height
D 01	4.63"	3.78"	3.75"
D 02	4.63"	3.78"	3.75"
D 03	6.45"	5.60"	3.75"
D 04	8.28"	7.41"	3.75"
D 05	8.28"	7.41"	3.75"
D406	10.14"	9.22"	3.75"
D 07	10.14"	9.22"	3.75"
D 08	10.14"	9.22"	3.75"
9 Channel -- up	Call factory for dimensions		

Riser Diagram

(D304 Stations shown)



Mounting



1. Mount backbox (supplied with station).
2. Route wires from backbox through bezel and connect to electronics on subplate.
3. Align bezel and subplate and attach to backbox, using #6 truss-head screws (furnished).
4. Slip wallplate mounting tabs under corresponding subplate tabs.
5. Fasten wallplate to subplate with allen head set-screws located on bottom of bezel. Turn set-screws until resistance is felt. DO NOT TIGHTEN.
6. Attach control knobs to components as required.

Specifications

1. The control station surface shall be constructed of brush-finished aluminum. All components shall mount to this plate. A slim-line designer frame shall border this plate.
2. There shall be no visible means of mounting from the front of the plate. Velcro or magnetic means of mounting shall not be acceptable.
3. The plate shall mount into a standard masonry back box provided by the manufacturer.
4. The control plate shall have _____ channels of control. Each channel shall be controlled by a slider with a minimum 45mm. travel. Wall plates with three or more channels shall also have a proportional master slider.
5. (Select one of the following): (2); (3); or (4):
 - (2) An Off/On rocker switch shall activate control at the station when only one station controls the selected channels.
 - (3) There shall be an Off/Take control switch with LED active when the channels have more than one point of control. Selecting Take Control will place the station on line and force light levels to be a proportion of the master level on the station.
 - (4) In addition to the Take Control switch, an optional Full switch allows the selection of all On without disturbing current slider settings.
6. All control station analog wiring shall be 18-gauge.
7. The control voltage shall be 0 - 10 Volts DC.
8. The wallplate shall be the Designer Series, Model _____ as manufactured by Electronics Diversified, Inc., Hillsboro, Oregon, 97124, USA.

Specifications subject to change without notice. Specification applicable to standard products only.
 ©1998 Electronics Diversified, Inc. All rights reserved. Printed in U.S.A.
 A300 0898