



Twilite System Controls

Features

- Remote Lock Feature
- Dedicated 'MORE' key
- Remote Preset Control
- Illuminated Pushbuttons
- Custom Colors Available
- Standard Gang Backbox
- Simple Contractor Wiring
- Proportional Master Control
- Screwless Faceplate Design
- Optional Clear Cover Available

Remote Station



Description

The Remote Station offers simple Preset Controls for any lighting application. The Remote Station allows full access to stored information from any Twilite System Display Station or Linear Preset Control Station. The illuminated push button design clearly identifies the active preset.

The proportional master controls allows the user to alter any stored preset proportionally brighter or dimmer than the recorded value. Any mastered preset can be restored to the original value by simply touching the active preset button.

The Remote Station offers a dedicated 'More' key which coordinates the pages of the Twilite Display Station with the push buttons of the remote station.

Pressing the More key simply changes the active page and allows the six selector keys to recall presets from the second page. When the More key is illuminated, the Remote Station is on the second page.

The "Remote Lock" feature allows the user to set up preset conditions where the local station has no access to the system when a selected preset is active. When the preset is changed at a Display Station, the local or remote station is restored with all recall assignments operational. This feature allows for presentations to occur with only controlled interruptions.

Off-line library storage through the 3.5" industry standard disk drive allows the assignments to be part of the system records, which can be automatically recalled should any interrupt occur in the system.

The Remote Station is designed to be mounted in standard-gang masonry backboxes supplied with the station. An attractive dimensional frame separates the controls from the background. The faceplate is mounted without visible fasteners. Faceplates are available in brushed aluminum or optional anodized pewter, bronze or black finishes. Custom colors are available.

Ordering Information: Twilite System Controls

Remote Station: RS/12PS**Faceplate Surface:**

- Brushed Aluminum
- Black Frame

Optional:

- Anodized Pewter
- Anodized Bronze
- Anodized Black
- Clear Cover

Custom:

- Plate Color
- Frame Color
-

JOB NUMBER:

APPROVAL STAMP

JOB NAME:

CUSTOMER:

P. O. #

Electronics Diversified, Inc.PRODUCT DATA SHEET
A415

1675 N.W. Cornelius Pass Road ● Hillsboro, Oregon 97124 U.S.A.
Phone: (503) 645-5533 ● FAX: (503) 629-9877 ● Web Site: www.edionline.com

Remote Station

Twilite System Controls

Electrical Data

Control Voltage: Class II Multiplex (Low Voltage).
 Control Cable: Tinned copper, PVC insulated, color coded twisted pairs, PVC jacket, Alpha 1133 cable.
 Note: Stations are connected via Daisy-Chain.
 Backbox must be grounded to system conduit.

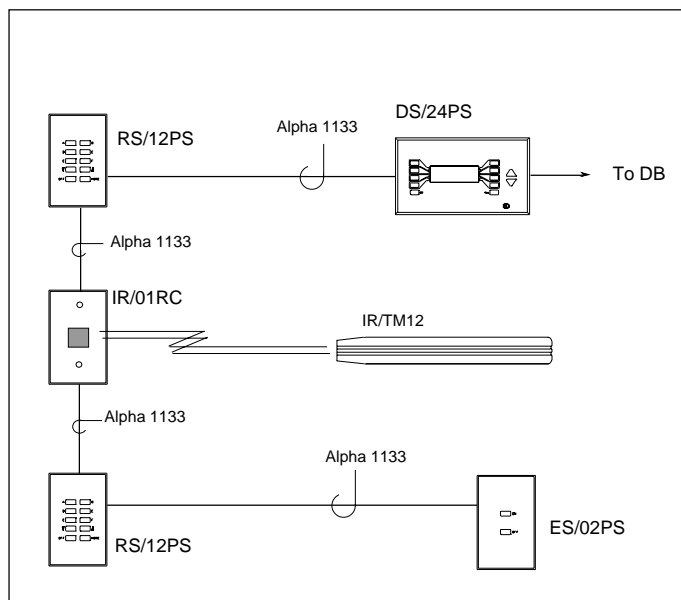
Physical Data

Backbox: Standard masonry deep backbox.
 Connector: Keyed removable Termination Connector.
 Switch: Rotary switch identifies station on network.
 Station Frame: Frame holds faceplate in position without screws.
 Station Cover: *See Data Sheet A240.

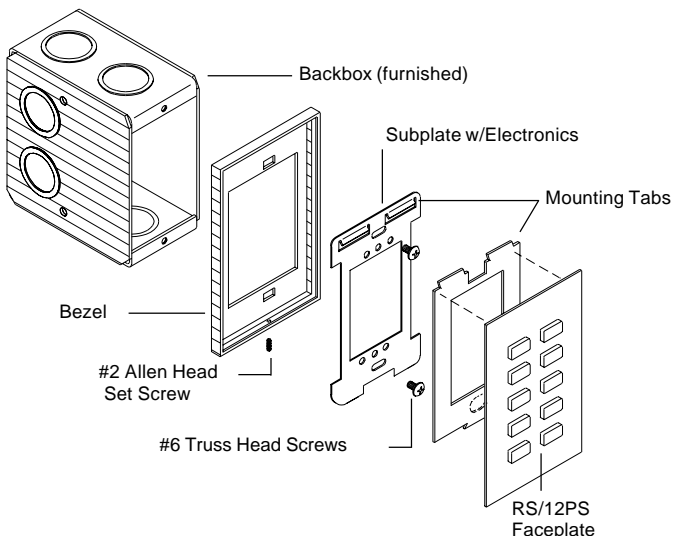
Dimensions

Twilite Control	Face-Plate	Wallbox Size		
		Width	Height	Raco #
RS/12PS	2.18"	1.97"	3.75"	695

Control System Riser Diagram



Mounting Details



1. Mount backbox.
2. Route wires from backbox through bezel and connect to electronics on subplate.
3. Align bezel and subplate and attach to backbox, using #6 truss-head screws (furnished).
4. Slip wallplate mounting tabs under corresponding subplate tabs.
5. Fasten wallplate to subplate with allen head set-screws located on bottom of bezel. Turn set-screws until resistance is felt.
DO NOT OVER-TIGHTEN.

Specifications

1. A Remote Station shall be a low cost, network compatible, ten button control station. The station shall adhere to the criteria listed below as a minimum for acceptance:
 - A. Clear visual indication of the system operating status.
 - B. Direct tactile and visual feedback to any control request.
 - C. Controls which offer full electrical isolation from the station electronics.
 - D. Attractively framed flat panel styling to blend with interior decors.
2. The Remote Station shall perform basic lighting control functions as defined by the system program. The minimum control features shall include, but not be limited to, the requirements as listed below:
 - A. Select up to twelve presets with or without a fade time.
 - B. Proportional master control of any preset.
 - C. Select a condition with Linked features.
 - D. Select a system OFF condition.
3. The Remote Station shall be subject to control conditions assigned by a system display station. All assignments shall be available for review or edit from a system display station at any time. The minimum conditions shall consist of:
 - A. Remote lock feature which restricts take control when assigned preset is active.
 - B. Station lock feature which restricts all station activity.
4. The Remote Station shall be designed for easy installation. Constructed on .060" fiberglass material, drilled and reinforced, the station shall consist of two primary assemblies:
 - A. An input board designed for network input with feedback to include:
 - a. Inputs shall be electrically isolated rubber buttons.
 - b. Status indicators shall be long life LEDs.
 - B. A processor board for direct network connection to include:
 - a. Network assignment through 16 position rotary encoder.
 - b. Keyed removable connector for control terminations.
5. The Remote Station shall fit in a single-gang deep masonry backbox supplied with the station. Faceplates shall be secured without visible fasteners.
 - A. Silk-screened graphics shall identify the button functions.
 - B. Faceplates of .080" brushed aluminum shall be standard. Custom anodized or painted faceplates shall be available on request.
 - C. Optional covers include clear Lexan® hinged or recessed wall box with locking cover.*

Specifications subject to change without notice. Specification applicable to standard products only.
 ©1998 Electronics Diversified, Inc. All rights reserved. Printed in USA.
 A415 0898



**Electronics
Diversified, Inc.**

1675 N.W. Cornelius Pass Road, Hillsboro, Oregon 97124 U.S.A. Phone Toll Free: 1-800-547-2690