



# Twilite System Controls

## Entry Station

### Features

- Remote Lock Feature
- Remote Preset Control
- Illuminated Pushbuttons
- Standard Gang Backbox
- Custom Colors Available
- Simple Contractor Wiring
- Screwless Faceplate Design
- Optional Clear Cover Available



### Description

The Entry Station offers simple entry controls for any lighting application. The Entry Station allows access to stored information from any Twilite Display Station or Linear Preset Control Station. The active preset selected by the station can be changed from any Display Station. The illuminated push button design clearly identifies the active preset.

The Entry Station accesses only two conditions; Preset or Off. An OFF selection can be programmed for minimum light levels.

During the crossfade time, the active button will blink to indicate fade time. A steady light indicates the completed condition.

The Entry Station can support TSC's "Remote Lock" feature, which allows the user to set up preset conditions where the local station has no access to the system when a selected preset is active. When the preset is changed at a Display Station, the local

or remote station is restored with all recall assignments operational. This software feature allows presentations to occur with only controlled interruptions.

Off-line library storage through the 3.5" industry standard disk drive allows the assignments to be part of the system records, which can be automatically recalled should any interrupt occur in the system.

The Entry Station is designed to be mounted in standard-gang masonry backboxes supplied with the station. An attractive dimensional frame separates the controls from the background. The faceplate is mounted without visible fasteners. Faceplates are available in brushed aluminum or optional anodized pewter, bronze or black finishes.

Custom colors are available.

### Ordering Information:

#### Twilite System Controls

#### Entry Station:

ES/02PS

#### Faceplate:

- Brushed Aluminum  
 Black Frame

#### Optional:

- Anodized Pewter  
 Anodized Bronze  
 Anodized Black  
 Clear Cover

#### Custom:

- Plate Color  
 Frame Color

JOB NUMBER:

APPROVAL STAMP

JOB NAME:

CUSTOMER:

P. O. #

**Electronics Diversified, Inc.**

PRODUCT DATA SHEET  
A416

1675 N.W. Cornelius Pass Road ● Hillsboro, Oregon 97124 U.S.A.  
 Phone: (503) 645-5533 ● FAX: (503) 629-9877 ● Web Site: www.edionline.com

## Electrical Data

Control Voltage: Class II Multiplex (Low Voltage).  
 Control Cable: Tinned copper, PVC insulated, color coded twisted pairs, PVC jacket, Alpha 1133 cable.  
 Note: Stations are connected via Daisy-Chain.  
 Backbox must be grounded to system conduit.

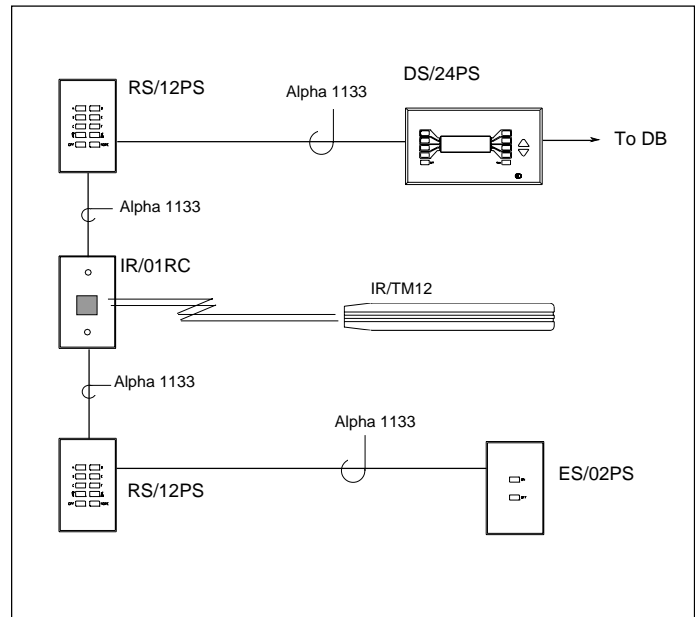
## Physical Data

Backbox: Standard masonry deep backbox.  
 Connector: Keyed removable Termination Connector.  
 Switch: Rotary switch identifies station on network.  
 Station Frame: Frame holds faceplate in position without screws.  
 Station Cover: \*See Data Sheet A240.

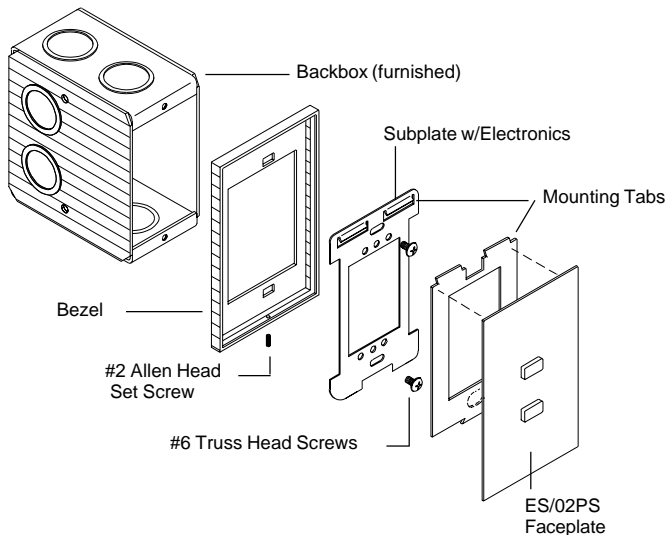
## Dimensions

Twilite Control	Face-Plate	Wallbox Size		
		Width	Height	Raco #
ES/02PS	2.18"	1.97"	3.75"	695

## Control System Riser Diagram



## Mounting Details



1. Mount backbox.
2. Route wires from backbox through bezel and connect to electronics on subplate.
3. Align bezel and subplate and attach to backbox, using #6 truss-head screws (furnished).
4. Slip wallplate mounting tabs under corresponding subplate tabs.
5. Fasten wallplate to subplate with allen head set-screws located on bottom of bezel. Turn set-screws until resistance is felt.  
DO NOT OVER-TIGHTEN.

## Specifications

1. An Entry Station shall be a low cost, network compatible, two button control station. The station shall adhere to the criteria listed below as a minimum for acceptance:
  - A. Clear visual indication of the system operating status.
  - B. Direct tactile and visual feedback to any control request.
  - C. Controls which offer full electrical isolation from the station electronics.
  - D. Attractively framed flat panel styling to blend with interior decors.
2. The Entry Station shall perform basic lighting control functions as defined by the system program. The minimum control features shall include, but not be limited to, the requirements as listed below:
  - A. Selecting a preset with a fade time.
  - B. Accessing a direct ON condition.
  - C. Select a condition with Linked features.
  - D. Select a second preset or select a system OFF condition.
3. The Entry Station shall be subject to control conditions assigned by a system display station. All assignments shall be available for review or edit from a system display station at any time. The minimum conditions shall consist of:
  - A. Remote lock feature which restricts take control when assigned preset is active.
  - B. Station lock feature which restricts all station activity.
4. The Entry Station shall be designed for easy installation. Constructed on .060" fiberglass material, drilled and reinforced, the station shall consist of two primary assemblies:
  - A. An input board designed for network input with feedback to include:
    - a. Inputs shall be electrically isolated rubber buttons.
    - b. Status indicators shall be long life LEDs.
  - B. A processor board for direct network connection to include:
    - a. Network assignment through 16 position rotary encoder.
    - b. Keyed removable connector for control terminations.
5. The Entry Station shall fit in a single gang deep masonry backbox supplied with the station. Faceplates shall be secured without visible fasteners.
  - A. Silk-screened graphics shall identify the button functions.
  - B. Faceplates of .080" brushed aluminum shall be standard. Custom anodized or painted faceplates shall be available on request.
  - C. Optional covers include clear Lexan® hinged or recessed wall box with locking cover.\*

Specifications subject to change without notice. Specification applicable to standard products only.  
 ©1998 Electronics Diversified, Inc. All rights reserved. Printed in USA.  
 A416 0898