

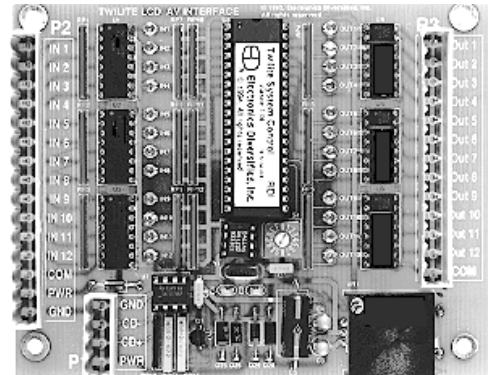


Twilite System Controls

Features

- Local or Remote Displays
- Direct Network Connection
- Up to 12 Programmable Inputs
- Up to 12 Discrete Status Outputs
- Configurable from Display Station
- Momentary or Maintained Signals
- Custom Cover with Status Indicators available

Remote Device Interface



Description

The Remote Device Interface allows a variety of independent or outside controls to access system presets or stored control conditions inside the Twilite System Control Network. The Interface converts momentary or maintained signals and routes the requests to specific information stored on a room and station basis.

Applications

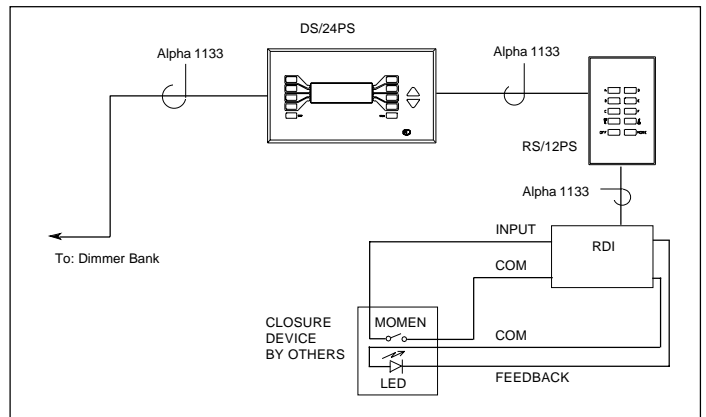
Each closure input is individually programmable through the Twilite Display Station. Each input can utilize a status output which can signal the current condition. The status condition can be displayed locally or routed to a remote receiver to confirm an executed command.

The Remote Device Interface is fully integrated into the Twilite System Controls. The Remote Device Interface can be attached directly to the network control wiring and assigned a position through the rotary switch encoder on the face of the station.

Common applications for the Remote Device Interface include:

- Audio Visual Controls
- Motion Detector Controls
- Photo Cell Controls
- PC Interfaces

Control System Riser Diagram



Performance Data

- Optically Isolated Contact Input:** Maintained 250 mA
- Optically Isolated Contact Output:** Pulse Card Compatible
- Can be Activated during:** ON to OFF transition
OFF to ON transition

Ordering Information:

Twilite System Controls

Remote Device Interface:

RD/12IO

JOB NUMBER:

APPROVAL STAMP

JOB NAME:

CUSTOMER:

P. O. #

Electronics Diversified, Inc.

PRODUCT DATA SHEET

A419

1675 N.W. Cornelius Pass Road ● Hillsboro, Oregon 97124 U.S.A.

Phone: (503) 645-5533 ● FAX: (503) 629-9877 ● Web Site: www.EDIOline.com

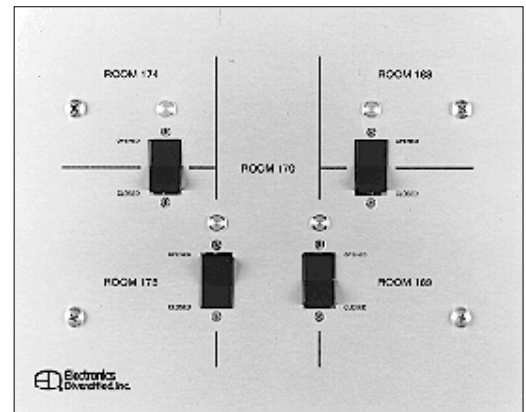


Twilite System Controls

Features

- Simple Contractor Wiring
- Direct Network Connection
- Combine or Separate Features
- Local Status Indicators
- Simple Graphic Display

Room Partition Panel



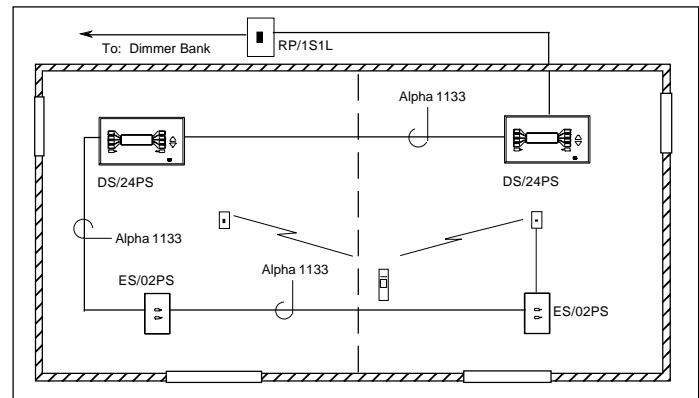
Description

The Twilite System Control incorporates a Room Partition Panel as a direct network accessory designed for facilities where partitioned rooms can be separated or combined for flexible lighting control. All Twilite System Control stations terminate on the same simple local area network wiring configuration. All system conditions are stored in a centralized processor which can be mounted for the convenience of the operators, not necessarily assigned at the system dimmer bank.

The Room Partition Panel offers a control interface for the operator to select the condition of the room and join or separate individual room controls based on the configuration set in place at the Twilite Display Station. When rooms are combined, the defined master will accept the channels of the secondary room and combine those channels with the established levels in the primary room. In addition, the defined master's presets will appear in the secondary room's control station. The result will be the master's presets distributed to both control points and the combined rooms operating together from either control station. The Twilite System Control Module will restore the presets to the secondary room when the Room Partition Panel signals the system that the rooms are no longer combined.

Room Partition Panels can be designed to reflect the plan view of the area they control. Status indicators can be incorporated to clearly indicate the current condition of the rooms. The room combine priorities can be reviewed and edited from any Twilite Display Station. The 3.5" disk drive and internal battery offers library storage and automatic backup protection should any interrupt occur in the system.

Control System Riser Diagram



Ordering Information:

Twilite System Controls

Room Partition Panel:

RP/___S(Switch) / ___L(LED)

JOB NUMBER:

APPROVAL STAMP

JOB NAME:

CUSTOMER:

P. O. #

