



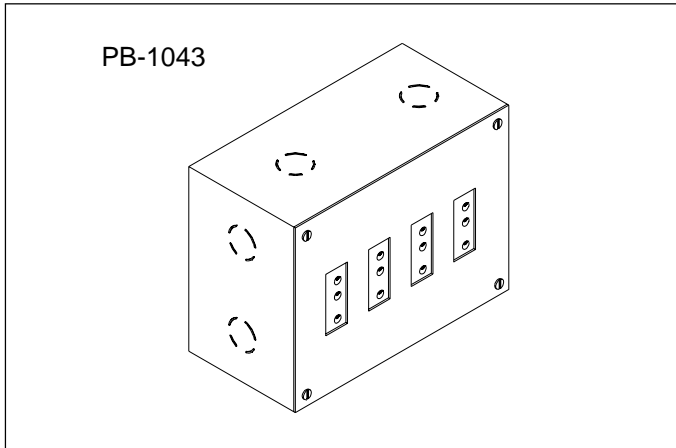
Features

- 16-gauge construction

Surface Mount Plug-In Boxes

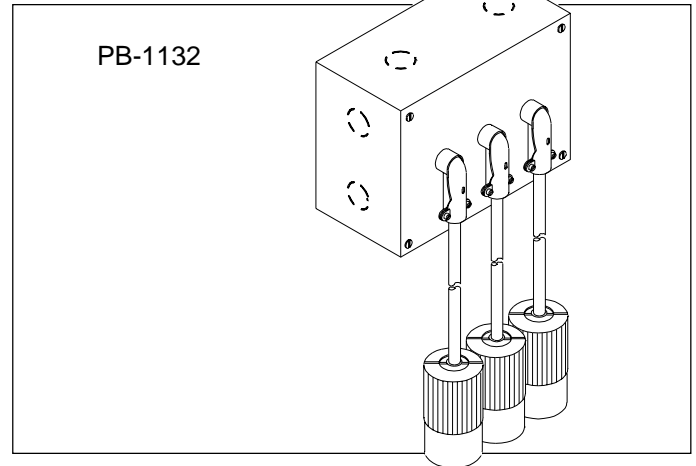
Series 1000

Surface Mount with Flush Receptacles



Series 1100

Surface Mount with Pigtail Receptacles



Specifications

Surface-mount plug boxes shall be constructed of 16-gauge steel with black enamel finish.

Knockouts are provided on each end, top, and bottom, with interior terminal strip. Pigtails, if provided, are 18" rubber covered SO 12/3 cable with strain relief. Custom lengths are available.

Receptacles will be provided as specified. Circuit numbering shall be on the box face in 1" high white numbers, or as indicated in plans and specifications.

Mounting is by means of fasteners supplied by others.

Custom configurations are available by request.

Surface Mount

Flush			Pigtail		
Model	H	W x D	Model	H	W x D
PB-102_	6"	6" 4"	PB-112_	6"	6" 4"
PB-103_	6"	10" 4"	PB-1132	6"	10" 4"
PB-1043	6"	12" 4"	PB-114_	6"	12" 4"
PB-105_	6"	14" 4"	PB-115_	6"	14" 4"
PB-106_	6"	16" 4"	PB-116_	6"	16" 4"

Connector Types

(1) PBG Parallel Blade Ground	(2) GTL Grounded Twist Lock	(3) GSP Grounded Stage Pin

Ordering Information: Surface Mount Plug-in Boxes

NOTE: All plug box model numbers are prefaced by 655-

Flush Rec. 1000 Series	Qty		Pigtail Rec. 1100 Series	Qty		Connector Type
<input type="checkbox"/> PB-102_	___	<input type="checkbox"/> PB-105_	<input type="checkbox"/> PB-112_	___	<input type="checkbox"/> PB-115_	<input type="checkbox"/> (1) PBG <input type="checkbox"/> (3) GSP
<input type="checkbox"/> PB-103_	___	<input type="checkbox"/> PB-106_	<input type="checkbox"/> PB-113_	___	<input type="checkbox"/> PB-116_	<input type="checkbox"/> (2) GTL <input type="checkbox"/> (4) SP
<input type="checkbox"/> PB-104_	___		<input type="checkbox"/> PB-114_	___		

JOB NUMBER:

APPROVAL STAMP

JOB NAME:

CUSTOMER:

P. O. #

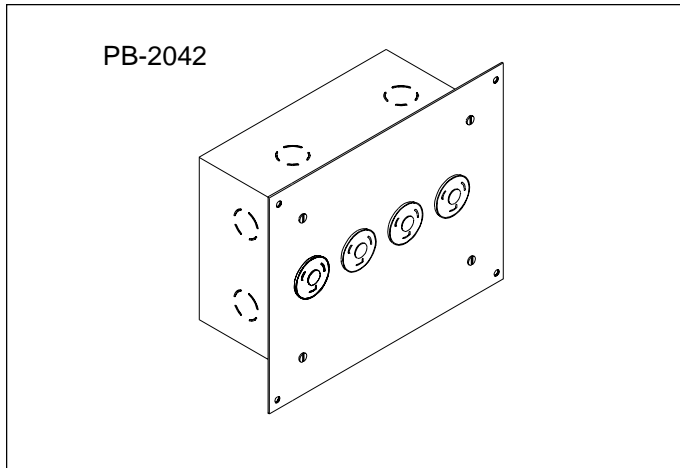
Features

- 16-gauge construction

Recessed Mount

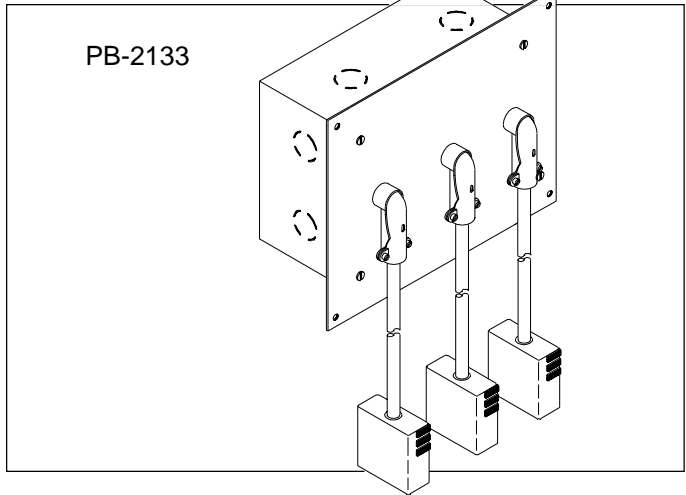
Series 2000

Recessed Mount with Flush Receptacles



Series 2100

Recessed Mount with Pigtail Receptacles



Specifications

Recessed plug boxes shall be constructed of 16-gauge steel with black enamel finish.

Knockouts are provided on each end, top, and bottom, with interior terminal strip. Pigtails, if provided, are 18" rubber covered SO 12/3 cable with strain relief. Custom lengths are available.

Receptacles will be provided as specified. Circuit numbering shall be 1" high white numbers, or as indicated in plans and specifications.

Mounting is by means of fasteners supplied by others.

Custom configurations are available by request.

Recessed Mount

Flush			Pigtail		
Model	H	W x D	Model	H	W x D
PB-202_	6"	6" 4"	PB-212_	6"	6" 4"
PB-203_	6"	10" 4"	PB-2133	6"	10" 4"
PB-2042	6"	12" 4"	PB-214_	6"	12" 4"
PB-205_	6"	14" 4"	PB-215_	6"	14" 4"
PB-206_	6"	16" 4"	PB-216_	6"	16" 4"

Connector Types

(1) PBG	(2) GTL	(3) GSP
Parallel Blade Ground	Grounded Twist Lock	Grounded Stage Pin

Ordering Information: Recessed-Mount Plug-in Boxes

NOTE: All plug box model numbers are prefaced by 655-

Flush Rec.		Pigtail Rec.		Connector Type	
1000 Series	Qty	1100 Series	Qty		
<input type="checkbox"/> PB-202_	___	<input type="checkbox"/> PB-212_	___	<input type="checkbox"/> (1) PBG	<input type="checkbox"/> (3) GSP
<input type="checkbox"/> PB-203_	___	<input type="checkbox"/> PB-213_	___	<input type="checkbox"/> (2) GTL	<input type="checkbox"/> (4) SP
<input type="checkbox"/> PB-204_	___	<input type="checkbox"/> PB-214_	___		
<input type="checkbox"/> PB-205_	___				
<input type="checkbox"/> PB-206_	___				

JOB NUMBER:

APPROVAL STAMP

JOB NAME:

CUSTOMER:

P. O. #

Specifications subject to change without notice. Specification applicable to standard products only.
©1998 Electronics Diversified, Inc. All rights reserved. Printed in U.S.A.
D103 0401