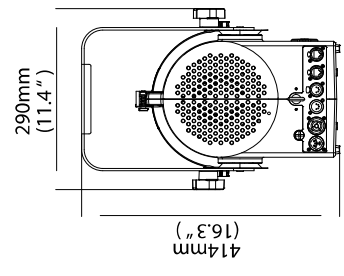
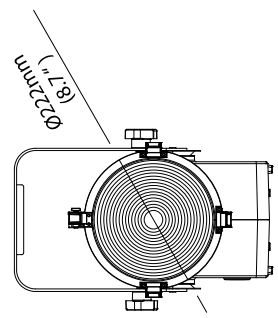
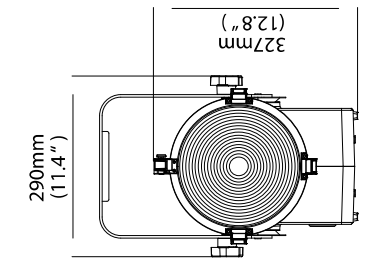
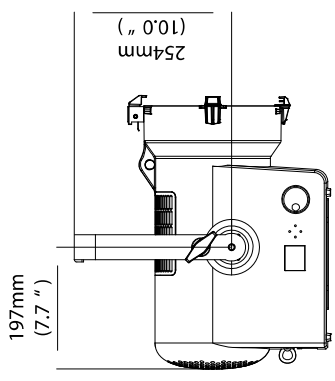
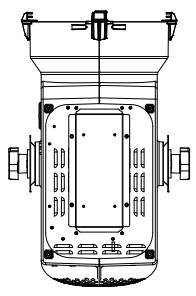
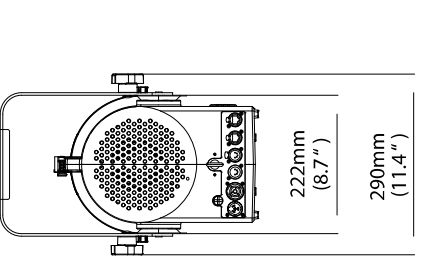
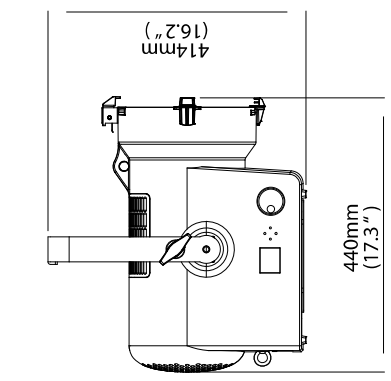
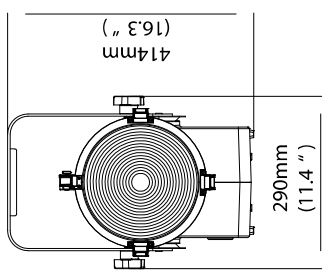
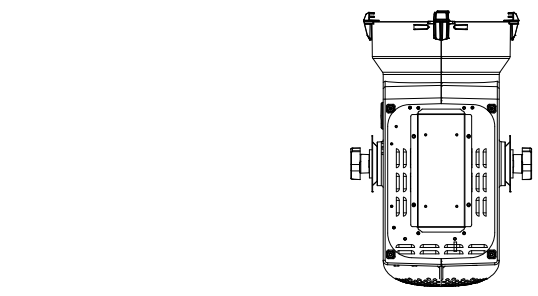


1

2

3

4



NOTES:
1. DIMENSION UNITS ARE MM(IN).

ACCLAIM FRESNEL + OVERALL DIMENSION DRAWING		DATE	SIZE	REVISION	DRAWING NUMBER
VAV-LINE, LLC 10011 PETRAL ST. DALLAS, TX 75236		1/23	D	A	64511-007
© 2024 SIGNIFY HOLDING. ALL RIGHTS RESERVED		SCALE	0.33	CRCO.3.0	SHEET 11 OF