

1

2

3

4

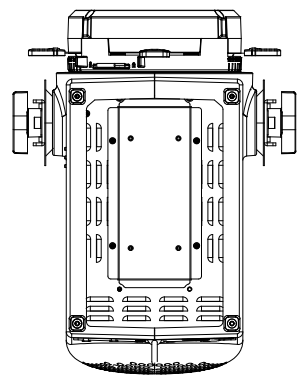
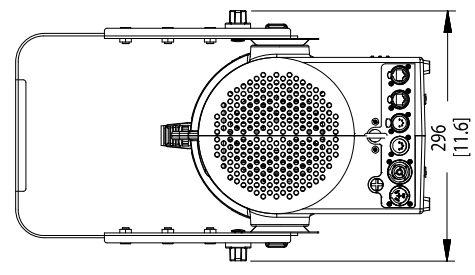
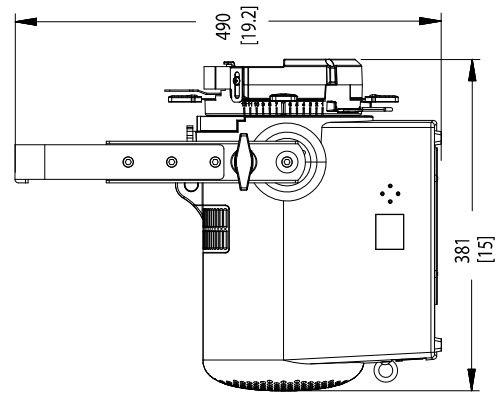
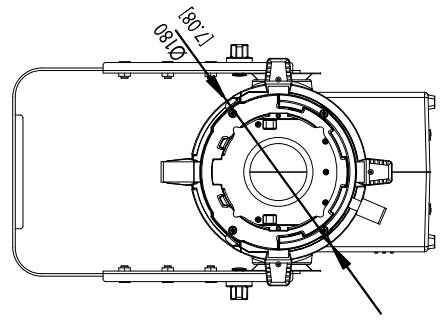
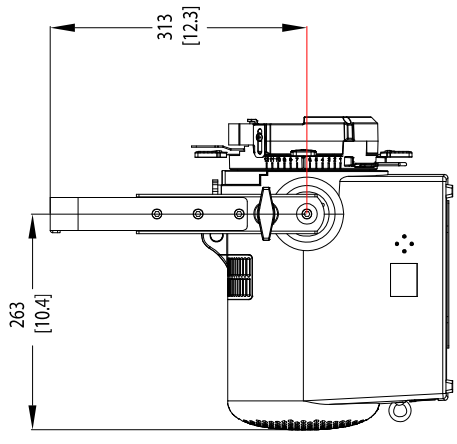
REVISIONS			
REV	EC #	DESCRIPTION	DATE
A		INITIAL RELEASE	

D

C

B

A



VARI-LITE, LLC

10911 PEBBLE CT, DALLAS, TX 75228

Acclaim PLE+

DRAWING NUMBER

SHEET 1 OF 1

SCALE INTS. AUTOCAD 2017

GROUP

MATERIAL

FINISH

TOLERANCE TABLE

N/A

NOTE:

PERFORMANCES ARE BASED ON THE ASSUMPTIONS AND CONDITIONS LISTED HEREIN. THESE VALUES ARE APPROXIMATE AND SHALL NOT BE CONSIDERED AS A GUARANTEE OF PERFORMANCE. REPRODUCED OR TRANSMITTED IN ANY FORM OR BY ANY MEANS, WITHOUT PERMISSION IN WRITING FROM VARI-LITE, LLC. ALL RIGHTS RESERVED.

STRAND ENTERTAINMENT LIGHTING

ALL RIGHTS RESERVED.

1

2

3

4

D

C

B

A