

# NEO X SERVER

Date: \_\_\_\_\_  
Type: \_\_\_\_\_  
Firm: \_\_\_\_\_  
Name: \_\_\_\_\_  
Project: \_\_\_\_\_

Adding to our NEO X family of products is the NEO X Server. This rack-mount device is designed to store and run pre-programmed shows using the same powerful NEO Lighting Control Console operating system software. The NEO X Server can sit on a LAN or operate independently for theatre, themed entertainment productions and more.

The touchscreen interface has multiple tabs to view, playback and configure the controller with unlimited cues, cue lists, groups, palettes, effects, and macros. Along with its ability to control timed events with sunrise/sunset, the NEO X Server also offers pixel mapping, magic sheet layouts, blind pre-visualization and much more.



- Runs Neo software – powerful, mature software platform designed for both theatrical and live event lighting.
- Advanced effects engine with chases, timeline and waveform effects, pixel mapping and more – get the perfect look in less time.
- Audio support with Line out, Mic in, SMPTE, and MIDI control – sync your lighting with the audio in your space.
- 100 DMX universes – create any size show without purchasing universe upgrades.
- Strong CITP visualizer protocol support – simplified integration with industry-leading Capture software and other visualization platforms using CITP.
- Connect third-party UPS over USB and display info on screen – view UPS info in your console while reducing shipping costs. Works with most major UPS manufacturers
- Support for Vari-Lite Wing for physical faders – add more faders when live busking



VARI\*Lite

# Specifications

Due to continuous improvements and innovations, specifications may change without notice.

## Electrical

Operating Voltage	100–240 V AC
Input Current	3.1A @ 100V AC
Max Power Consumption	300 W
Power Input	IEC Cable bare end included

## Data

Included license	100x Universes (51,200 channels)
DMX Out	4x Neutrik 5-pin XLR
DMX In	1x Neutrik 5-pin XLR
Display Outputs	4 x Display Port (4K UHD)
Gigabit Ethernet	2 x RJ45
Audio	1x Line Out, 1 x Mic In via 1/8" mini jack
USB 3.0	2x USB Type A (on rear)
USB 2.0	4x USB Type-A (2 on front, 2 on rear)
MIDI	2x MIDI 5-pin DIN
SMPTE	2x Neutrik 3-pin XLR

## Connectivity

Protocols	DMX512 RDM Streaming ACN (E1.31) Art-Net CITP OSC (Bidirectional) MIDI Notes, Control Change, MSC, MTC, MC (Bidirectional) SMPTE (Bidirectional) Generic RS232 Contact Closures (unlimited via network and USB ) Vision.Net (Bidirectional) KiNet Shownet ChilliNet iCAN Pathport Ennttec DMX USB
Files	USITT ASCII Showfiles GDTF
Other	Web Server and MySQL polling iOS & Android app (incl. Interface Builder and note taking) DMX Recorder and playback Tracking palettes (live values mapped to incoming data stream)

## Certification and Safety

Conformity	UL 62368-1, IEC 62368-1, CSA C22.2 NO 62368-1, FCC 47CFR 15, ICES-003, EN 55032, CISPR 32
------------	---

## Capacity

1,000,000 Cues
10,000+ Cue lists
10,000+ Submasters
60,000+ Palettes (Intensity, Position, Color, Beam, Edge, and Presets)
Custom Palette types
10,000+ Groups
10,000+ Effects
10,000+ Macros
10,000+ Snapshots
Customisable Curve Profiles
Customisable Color and Position Paths
1,000,000 Cue Notes
Up to 10 remote sessions
100 discrete audio (frequency) triggers

## Software Key Features

Full tracking and optional non tracking
Tabbed Magic Sheets
7 powerful effect (FX) engines
Pixel Mapping (static images, videos or live input)
Pixel animator
Visual timecode editor (for auto cue timings)
Video playback (incl. cross fading)
Internal timecode (from media) and timecode generator
AI Command Line prediction
Automatic text to speech playback of cue notes
Partitioning and multi user
Offline mobile patch tool
Dedicated task scheduler

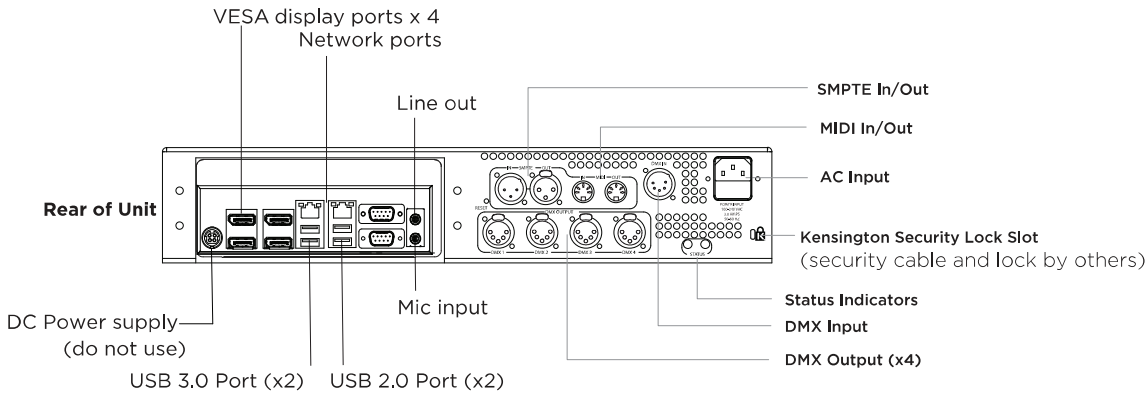
## User Interfaces

External touchscreens	4x 4K UHD
Internal touchscreens	1 x 4"

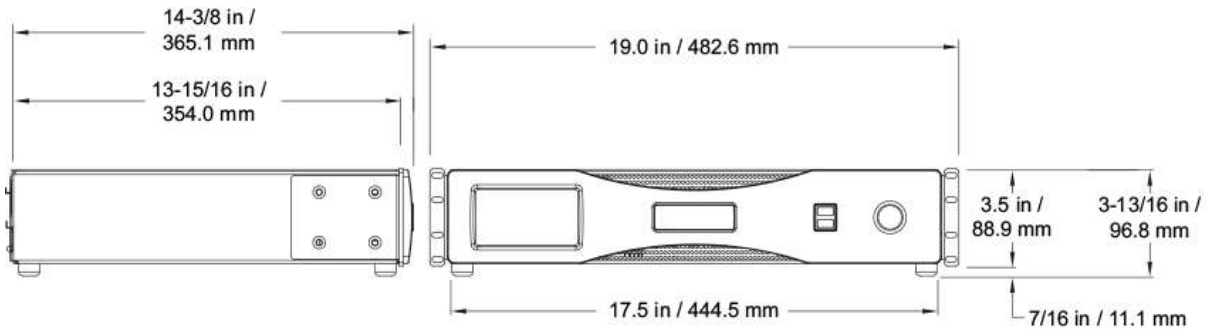
## Physical

Color	Black & Dark Grey
Operating temperature	0 - 40 °C (32 - 104 °F)
Storage Temperature	0 - 35 °C (32 - 95 °F)
Humidity	0 - 95% non-condensing
Construction	High density and impact resistant aluminum and plastics
Dimensions	482.6 x 96.8 x 365.1 mm (19 x 3.81 x 14.34 in)
Weight	4.56 kg (10.05 lb)
Cooling System	Force Air Cooled
Mounting	Rack-mounted , 2-post
Rack Unit	3U
Ingress protection rating	IP20

# Connections



# Dimensions



# Product and Accessories

<b>Product type</b>	<b>Order Code</b>
NEO X SERVER	54101-000

<b>Accessories</b>	<b>Order Code</b>
ZerOS Wing (Wing, USB Cable, Coupling brackets & feet included)	54109-124

