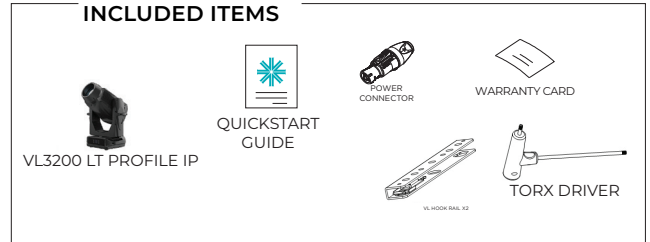


VL3200 LT PROFILE IP

OVERVIEW

This document provides basic setup instructions and safety warnings for the following product(s):

- VL3200 LT **74812-020** VL3200 LT-Touring Black
- VL3200 LT **74812-120** VL3200 LT-Touring White

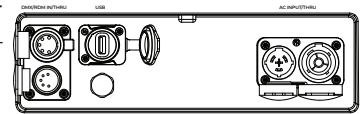


INSTALLATION AND SETUP

CONNECTING POWER

This fixture requires standard AC power distribution from 100-240VAC, 50/60 Hz. Current required depends on the AC supply voltage and product model.

NOTE: The mating True1 IP 65 compatible connector is supplied; however, you will need to purchase or construct a cable appropriate for your application.



Depending on the application, the luminaire's AC input cable may require a different connector. If required, install a new connector meeting your requirements using the following wire color code reference:

WIRE*	CONNECTION
Green/yellow	AC ground
Blue	AC neutral
Brown	AC line

* International (Harmonized) Standard



WARNING: DO NOT connect to three-phase service in countries with 240V power.



Single-phase power from 100-240V RMS:

CONNECTION	PIN
AC neutral	X
AC line	Y
Ground (earth)	G

Two-phase power at 208V RMS:

CONNECTION	PIN
Phase 1	X
Phase 2	Y
Ground (earth)	G

VL3200 LT PROFILE IP

CURRENT VERSUS VOLTAGE

TABLE 1 provides the luminaire's current draw at specific voltages. Total luminaire current is calculated with the lamp on and all motors sequencing.

CONNECTING DATA

A maximum of 32 luminaires may be connected in any one DMX data link.



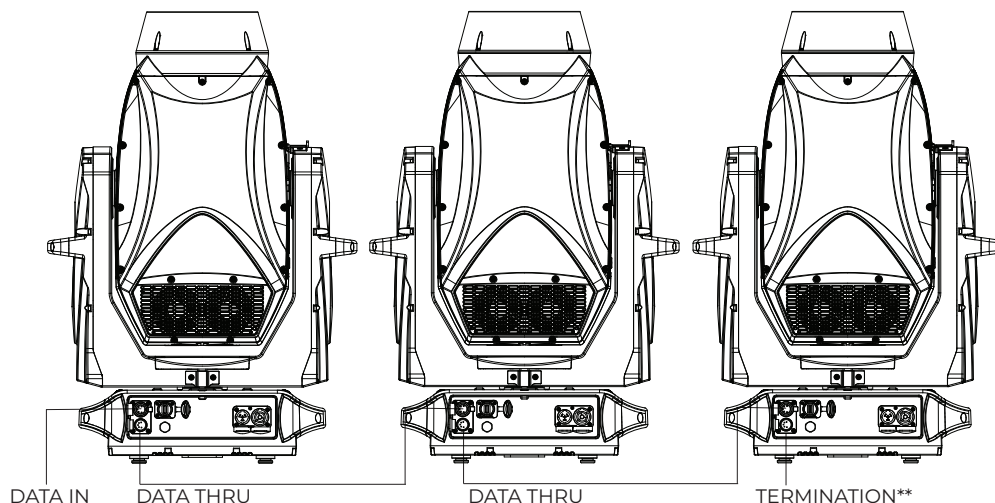
NOTE: This maximum limit applies to the luminaire "daisy chain" only. Your system or console may require fewer luminaires on a single data link path. Consult your console documentation for more information.

TABLE 1. CURRENT VS. VOLTAGE (500W LED)

AC VOLTAGE	TOTAL LUMINAIRE CURRENT	TOTAL LUMINAIRE POWER	PFC
120V/60Hz	6.19A	739W	0.993
180V/60Hz	4.07A	724W	0.982
208V/60Hz	3.55A	721W	0.974
230V/50Hz	3.66A	720W	0.975
240V/50Hz	3.12A	712W	0.962
264V/50Hz	2.88A	718W	0.945
277V/60Hz	2.78A	718W	0.93

To connect power and data:

- Step 1. Connect data cable from console to first luminaire in chain at DATA IN connector.
- Step 2. If required, connect additional data cables from DATA THRU connectors to DATA IN connectors of remaining luminaires in link.
- Step 3. At last luminaire in link, install male termination connector at DATA THRU connector. (Luminaires and other devices on the same DMX chain may not function properly without termination.)



- Step 4. Connect AC Input Cable connector to power input source.
- Step 5. Dress AC input and data cables and secure them so that they will not interfere with luminaire head and yoke movement.

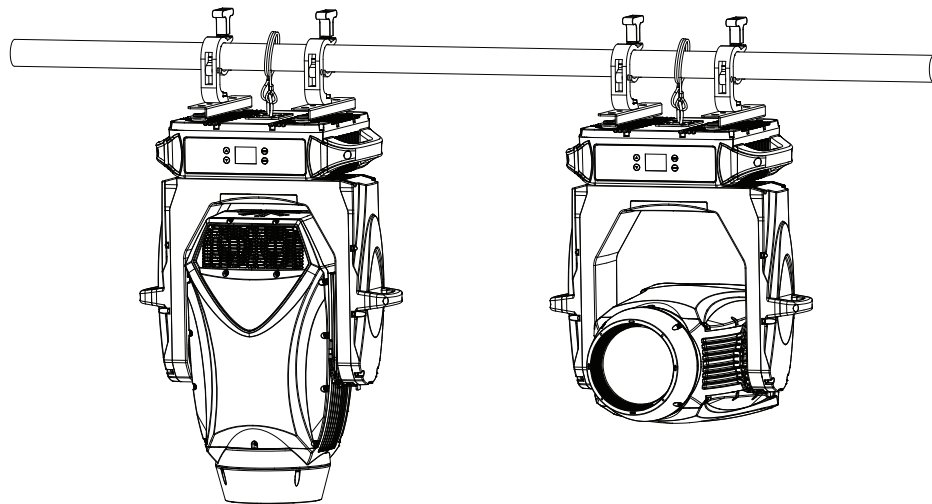
VL3200 LT PROFILE IP

FLOOR MOUNTING

All luminaires included in this manual are designed to sit directly on its base in a floor installation application. When used in this type of application, be sure to leave enough space around the luminaire to allow proper, uninterrupted airflow for cooling and movement.

HANGING THE FIXTURE

The VL3200 LT PROFILE IP can be hung in any orientation from any structure designed to work with the type of load created by this moving luminaire. Two mounting truss hooks or other mounting hardware are required. Many compatible truss hooks are available from different manufacturers for your particular needs.



A minimum of two hooks per luminaire is required. If mounting method does not use truss hooks, two attachment points, per luminaire, are required.

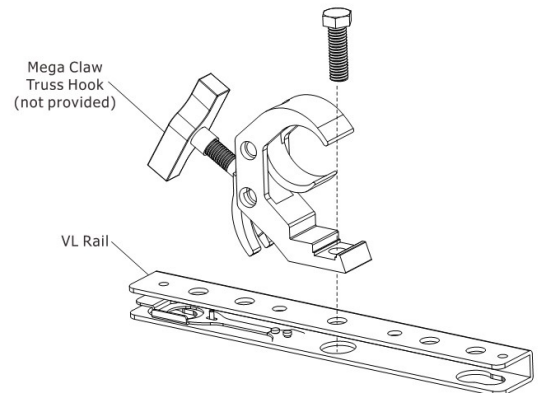
Install mounting hardware and brackets:

- Step 1. Install truss hooks on two provided truss hook brackets as required as shown.



NOTE: Various types of truss hooks can be used. The Mega Claw truss hook, as well as many other standard hooks, can be ordered separately.

- Step 2. Determine required configuration of bracket installation. Brackets may be installed in many different orientations as shown.
- Step 3. While pulling up on locking mechanism release, fit keyed holes onto raised mounting buttons at bottom of enclosure. Slide forward and release locking mechanism to lock in place. Ensure brackets are locked securely.



WARNING: Ensure that the bracket locking mechanism is fully seated after the bracket is installed on the fixture.

VL3200 LT PROFILE IP

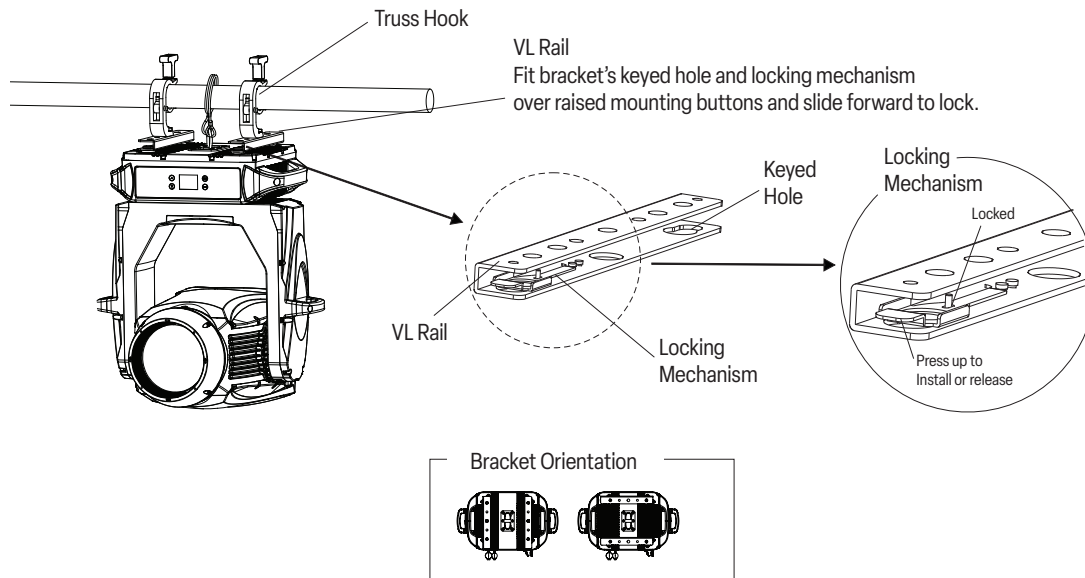
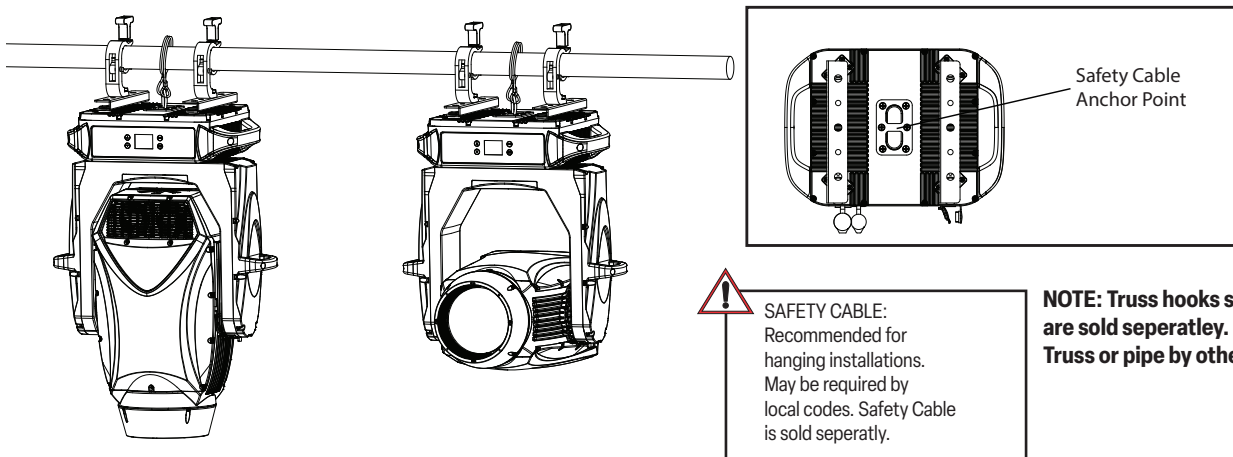


FIGURE 1. INSTALLING BRACKETS ON LUMINAIRE ENCLOSURE

Installing in Truss:

- Step 1. Using two people, lift luminaire into mounting position.
- Step 2. Secure in place with truss hook. Ensure truss hook hardware that locks hook in place (e.g. wing bolt) is properly tightened and that luminaire is fully supported.
- Step 3. Attach safety cable (as required) as follows:
 - a. Loop safety cable at least once around safety cable anchor point rod.
 - b. Loop safety cable at least once around truss/pipe and secure around pipe.
- Step 4. Make sure tilt and pan locks are disengaged so luminaire moves freely.
- Step 5. Connect power and data cables.

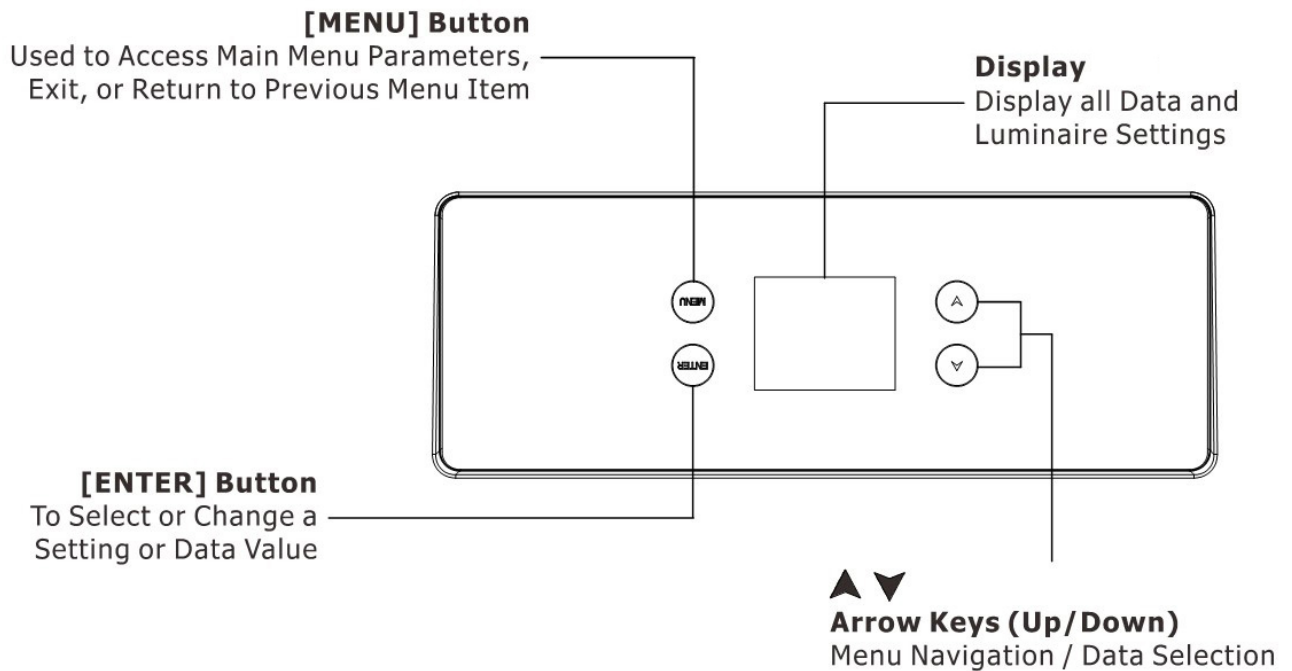


VL3200 LT PROFILE IP

MENU CONTROLS

The menu system is controlled by an ENTER (OK), MENU (Escape), and two Arrow (▲ ▼) buttons.

Press and hold the ENTER button, and then quickly press the UP ▲ , Down ▼ , UP ▲ , DOWN ▼ buttons in 2s to unlock the screen.



QUICK REFERENCE MENU KEY SHORTCUTS

MENU KEY SHORTCUTS	FUNCTION
Holding Menu at Power up	Bypass Calibration
Menu + Up	ReCal All
Menu + Down	Pan / Tilt Deactivated
Menu + Enter	Factory Defaults
Enter + Up	LED On
Enter + Down	LED Off
Up + Down	Display FLIP
Enter + Up + Down at Power up	Reset Timers Shortcut

VL3200 LT PROFILE IP

QUICK REFERENCE DMX MAPS

The short form DMX maps are available on the following pages. Visit the product page for full DMX maps.

- [Table 2. 16-Bit Mode](#)
- [Table 3. 16-Bit ENHANCED Mode \(DEFAULT\)](#)

TABLE 2.

DMX CHANNEL	PARAMETER
1	Intensity High
2	Intensity Low
3	Pan High
4	Pan Low
5	Tilt High
6	Tilt Low
7	Focus High
8	Focus Low
9	Zoom High
10	Zoom Low
11	Cyan
12	Yellow
13	Magenta
14	CTO Wheel
15	Color Wheel 1
16	Color Wheel 1 Control
17	Gobo Wheel 1 (Fixed)
18	Gobo Wheel 1 Control
19	Gobo Wheel 2
20	Gobo Wheel 2 Rotate/Index High Byte
21	Gobo Wheel 2 Rotate/Index Low Byte
22	Gobo Wheel 2 Control
23	Animation Wheel
24	Animation Rotation

16-BIT MODE


DMX CHANNEL	PARAMETER
25	Iris
26	Frame 1A
27	Frame 1B
28	Frame 2A
29	Frame 2B
30	Frame 3A
31	Frame 3B
32	Frame 4A
33	Frame 4B
34	Frame Rotate
35	Prism 1 (Triangular)
36	Prism 1 Index/Rotate High Byte
37	Prism 1 Index/Rotate Low Byte
38	Prism 2 (Flat)
39	Prism 2 Index/Rotate High Byte
40	Prism 2 Index/Rotate Low Byte
41	Frost
42	Strobe
43	Future use channel
44	Programmers Channel
45	Fan Control
46	Luminaire Control


VL3200 LT PROFILE IP


TABLE 3. 16-BIT ENHANCED MODE (DEFAULT)

DMX CHANNEL	PARAMETER	DMX CHANNEL	PARAMETER
1	Intensity High	27	Frame 1B
2	Intensity Low	28	Frame 2A
3	Pan High	29	Frame 2B
4	Pan Low	30	Frame 3A
5	Tilt High	31	Frame 3B
6	Tilt Low	32	Frame 4A
7	Focus High	33	Frame 4B
8	Focus Low	34	Frame Rotate
9	Zoom High	35	Prism 1 (Triangular)
10	Zoom Low	36	Prism 1 Index/Rotate High Byte
11	Cyan	37	Prism 1 Index/Rotate Low Byte
12	Yellow	38	Prism 2 (Flat)
13	Magenta	39	Prism 2 Index/Rotate High Byte
14	CTO Wheel	40	Prism 2 Index/Rotate Low Byte
15	Color Wheel 1	41	Frost
16	Color Wheel 1 Control	42	Strobe
17	Gobo Wheel 1 (Fixed)	43	Future use channel
18	Gobo Wheel 1 Control	44	Programmers Channel
19	Gobo Wheel 2	45	Focus Timing
20	Gobo Wheel 2 Rotate/Index High Byte	46	Optics Timing
21	Gobo Wheel 2 Rotate/Index Low Byte	47	Color Timing
22	Gobo Wheel 2 Control	48	Beam Timing
23	Animation Wheel	49	Gobo Timing
24	Animation Rotation	50	Fan Control
25	Iris	51	Luminaire Control
26	Frame 1A		

VL3200 LT PROFILE IP

 **WARNING:** It is not recommended to power any Vari-Lite fixture from a dimmer - even in 'NONDIM' mode. Dimmer modules are not suitable sources of power because their output modifies the AC wave form. This may work for a short time, but will eventually result in power problems, operating errors, and/or fixture failure and may void the warranty. Use constant current or relay modules only.

 **WARNING:** It is the responsibility of the user to adequately protect supply source with a correct size and type circuit breaker and not overload circuits.

 **WARNING:** This unit has a battery. Replace only with the correct type of battery. Failure to use the correct battery could cause serious damage to the fixture. Dispose of used batteries appropriately.

IEC/TR 62778 NOTICE ON RETINAL BLUE LIGHT HAZARD	
For reference only. Refer to product label for specific warnings for this product.	
Risk Group 1	None
Risk Group 2	CAUTION! Do not stare into beam.
Risk Group 3	WARNING! Do not look into the beam. No direct eye exposure to the beam is permitted.

VL3200 LT PROFILE IP

SAFETY WARNINGS AND NOTICES

Read this user manual in full before attempting to install, operate or maintain the fixture to which it relates. This user manual is intended to provide general guidance to such suitably qualified personnel. Installation and operation of the fixture are to be performed by qualified personnel only.

When using electrical equipment, basic safety precautions should always be followed including the following:

READ AND FOLLOW ALL SAFETY INSTRUCTIONS.

- This product is IP65-rated. Suitable for wet locations. Do not immerse in water.
- Use safety tether when mounting.
- Equipment should be mounted in locations and at heights where it will not be readily subjected to tampering by unauthorized personnel.
- Not for residential use. Do not use this equipment for other than intended use.
- Note distance requirement(s) from combustible materials or illuminated objects. Do not mount near gas or electric heaters.
- Install only in locations with adequate ventilation. Ensure sure that ventilation slots are not blocked.
- Ensure that the voltage and frequency of the power supply match the power requirements of the fixture.
- The fixture must be earthed/grounded to the appropriate conductor.
- Do not operate fixture outside the specified ambient temperature range.
- Do not connect the fixture to any dimmer pack.
- The use of accessory equipment not recommended by the manufacturer may cause an unsafe condition and void warranty.
- Refer service to qualified personnel. This fixture contains no user serviceable parts.
- Prior to first use, carefully inspect fixture to ensure no damage has occurred during shipping.
- Materials used in the manufacturing process can cause strong odors when the product is new. These odors dissipate over time. Prior to each use, carefully inspect power cables and replace any damaged cables.
- Exterior surfaces of the luminaire will be hot during operation. Take appropriate precautions.
- Continuous use of the fixture may shorten the lifespan. Power down the fixture when not in use.
- Do not cycle power on and off repeatedly. Disconnect mains power if the fixture is not used for an extended period.
- Clean fixtures regularly, particularly when working in a dusty environment.
- Never touch power cables or wires while the fixture is powered on.
- Avoid entangling power wires with other cables.
- In the event of a serious operating problem, immediately discontinue using the fixture.
- It is hazardous to operate luminaires without lens or shield. Shields, lenses, or ultraviolet screens shall be changed if they have become visibly damaged to such an extent that their effectiveness is impaired, for example, by cracks or deep scratches.
- Original packing materials can be reused for transporting the fixture.
- Do not look directly at the LED light beam while the fixture is on.
- This is a Class A product. In a domestic environment this product may cause radio interference, in which case, the user may be required to take adequate measures.
- The light source contained in this luminaire shall only be replaced by the manufacturer or service agent or similarly qualified person.

SAVE THESE INSTRUCTIONS.

WARNING: Refer to National Electrical Code® and local codes for cable specifications. Failure to use proper cable can result in damage to equipment or danger to personnel.

COMPLIANCE NOTE



FCC DECLARATION OF CONFORMITY

This equipment has been tested and found to comply with the limits for a Class A digital device pursuant to Part 15 of FCC Rules. These limits are designed to provide reasonable protection against harmful interference when this equipment is operated in a commercial environment. This equipment generates, uses, and can radiate radio frequency energy and, if not installed and used in accordance with Vari-Lite system, service, and safety guidelines, may cause harmful interference to radio communications.

As tested under this standard:

FCC 47CFR 15B

FCC Part 15 Subpart B Class B

Operation of this equipment in a residential area is likely to cause harmful interference, in which case the user will be required to correct the interference at his/her own expense.

ISED DECLARATION OF CONFORMITY

This equipment has been tested and found to comply with the limits set by ICES-005 Issue 5 Class B as tested under this standard: ANSI C63.4

RCM DECLARATION OF CONFORMITY

This equipment has been tested and found to comply with the limits set by CISPR 15 of Equipment Regulations as tested under this standard:

AS CISPR 15

EU DECLARATION OF CONFORMITY



We, Vari-Lite LLC., 10911 Petal Street, Dallas, Texas 75238, declare under our responsibility for the products contained herein are in conformity with the essential requirements of the following European Directives and harmonized standards:

LOW VOLTAGE DIRECTIVE (LVD), 2014/35/EU

EN IEC 60598-2-17 used in conjunction with EN IEC 60598-1

ELECTROMAGNETIC COMPATIBILITY DIRECTIVE (EMC), 2014/30/EU

EN IEC 55015, EN IEC 61000-3-2, EN 61000-3-3, EN 61547



UK DECLARATION OF CONFORMITY

ELECTRICAL EQUIPMENT (SAFETY) REGULATIONS 2016

BS EN IEC 60598-2-17 used in conjunction with BS EN IEC 60598-1

ELECTROMAGNETIC COMPATIBILITY REGULATIONS 2016

BS EN IEC 55015, BS EN IEC 61000-3-2, BS EN 61000-3-3, BS EN 61547



ETL AUTHORIZATION TO MARK

Vari-Lite LLC. declares that this product conforms to UL Standard UL 1573 and is certified to CAN/CSA Standard CSA C22.2#166

GLOBAL CB CERTIFICATION/IECEE

IEC 60598-2-17 used in conjunction with IEC 60598-1

©2025 Signify Holding. All rights reserved.

All trademarks are owned by Signify Holding or their respective owners. The information provided herein is subject to change, without notice. Signify does not give any representation or warranty as to the accuracy or completeness of the information included herein and shall not be liable for any action in reliance thereon. The information presented in this document is not intended as any commercial offer and does not form part of any quotation or contract, unless otherwise agreed by Signify. Data subject to change.

CUSTOMER SERVICE

If you have any questions regarding this product, please contact Customer Service by phone at +1 214-647-7880 or by email at entertainment.service@signify.com.

VL3200 LT PROFILE IP INSTALLATION GUIDE

VERSION DATE:

NOVEMBER 03, 2025